

DESCRIPTION

The Lumark LED area and wall light with twist lock photocontrol incorporates sustainable LED technology into a reliable dusk-to-dawn security solution. This fixture provides area coverage equivalent to 100W metal halide or 70W high pressure sodium, while achieving substantial energy and maintenance savings.

Catalog #		Type
Project		
Comments		Date
Prepared by		

SPECIFICATION FEATURES

Construction

- Durable die-cast aluminum housing suitable for wet locations
- UV stable acrylic lens
- Open lens design eliminates collection of debris
- Available in bronze powder coat finish
- Suitable for wall or pole mount
- Fits 1-5/8" EA24 pole mounting arm (available separately)

Electrical

- Maintenance-free LEDs with L70 50,000 hours of life
- Fixture operating temperature range from -30°C to 40°C
- 12,000 cycle NEMA twist lock photocontrol
- Electrical operating voltage 120V 60Hz
- cULus listed for wet locations
- External supply wiring 75°C minimum

Optics

- Patented precision over-optics for maximum efficiency and area light coverage
- 5000K CCT

Warranty

- 5 year limited warranty

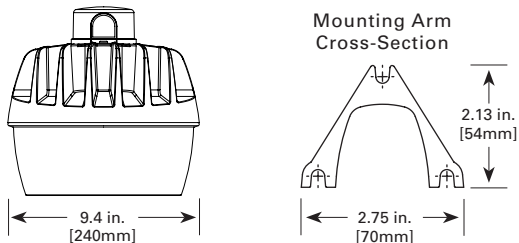


LAL30BPCT LED Area and Wall Light

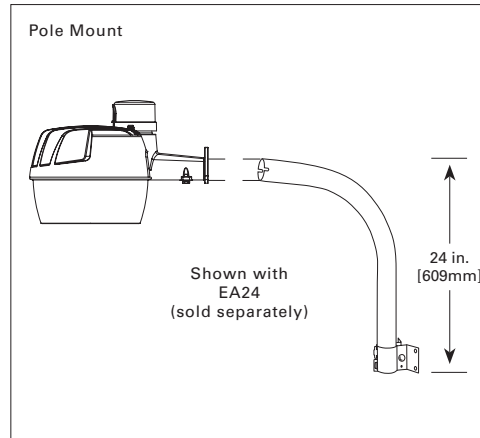
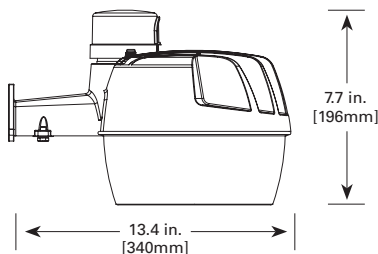
**Twist Lock Photocontrol
Wall or Pole Mount**

DIMENSIONS

Front View



Side View



ORDERING INFORMATION

Model	Finish
LAL30BPCT	Bronze

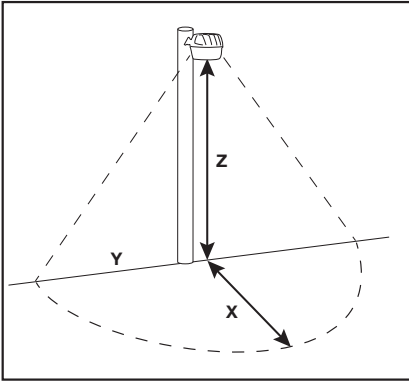
Accessories¹

EA24 = Mounting arm for pole mount
SL3120 = NEMA twist lock photocontrol
Notes: ¹ Order as separate line item.

CERTIFICATION DATA
cULus Wet Location Listed

TECHNICAL DATA
-30°C to 40°C Temperature Rating
External Supply Wiring 75°C Minimum

PHOTOMETRICS



Minimum Footcandles (FC)		0.50 FC				0.35 FC			
Mounting Height (Z)		8'		12'		16'		20'	
Catalog Number	Lumens	X	Y	X	Y	X	Y	X	Y
LAL30BPCT	3500	23'	46'	30'	60'	32'	64'	40'	80'

X = Forward Throw
Y = Wall Spread
Z = Mounting Heights

Notes:
Forward throw X = 1/2 Y for wall-mount applications only
See IES files for detailed photometry

TECHNICAL INFORMATION

Series	(V)	Power (W)	Delivered Lumens	Efficacy (Lum/Watt)	LED Color Temperature (K)	Photocontrol Options
LAL30BPCT	120	33.4	3500	104.8	5000K	Twist Lock