

**Description**

The HALO Home smart LED motion sensor flood incorporates Bluetooth® Mesh technology into a durable, twin head design for an advanced outdoor lighting solution built for high performance. Features configurable settings for both the motion sensor and floodlight, including sensitivity, duration and scene control, as well as grouping, scheduling, dimming and white color tuning. The MST20C does not require a hub and can be wirelessly controlled directly from any compatible smart device utilizing the HALO Home app, or any HALO Home wireless switch or dimmer.

Catalog #		Type
Project		
Comments		Date
Prepared by		

**Specification Features**

**Wireless System**

- For use with the HALO Home mobile app
- Bluetooth low energy (BLE) mesh allows on/off and dimming to be controlled wirelessly with companion wall switches, smart phones and tablets using Halo Home mobile app
- Dual Bluetooth module design allows for separate floodlight (device) and motion sensor (controller) function
- White tuning, grouping, scheduling, scenes and countdown timer controlled through HALO Home mobile app
- Motion sensitivity control from 0-100%
- Photocontrol sensitivity from 0-100%

**Construction**

- Durable die-cast aluminum housing with UV stable clear lens
- Powder coated bronze or white finish
- Optically enhanced reflector improves efficiency and delivered lumens
- Tool-less head and motion sensor adjustment
- Wall or eave mounted to recessed or surface junction boxes

- cULus listed for wet locations
- External supply wiring 75°C minimum
- Motion sensor detects motion 180° up to 50 feet

**Optics**

- Two-stage optics for maximum coverage
- Wirelessly controlled white tuning from 3000K to 5000K CCT (factory default 4000K)
- Wirelessly controlled dimming to 5%

**Electrical**

- For use with 120-277V, 50/60Hz power sources
- Maintenance-free LED's with 70,000 hours of life
- Operating temperature of -30°C to 40°C

**Warranty**

Five year limited warranty



**HALO Home MST20C Series**

**Twin Head LED Motion with Bluetooth Mesh Connectivity**

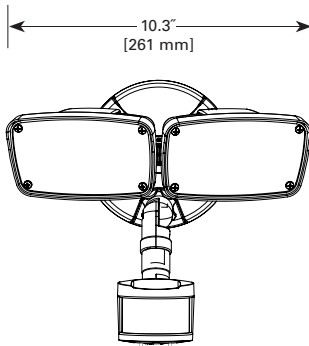
**CCT Adjustable**

**Range from 3000K-5000K**

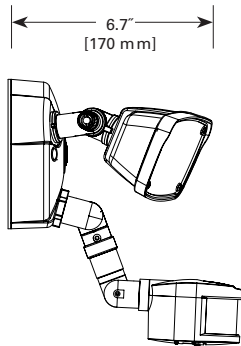


**Dimensions**

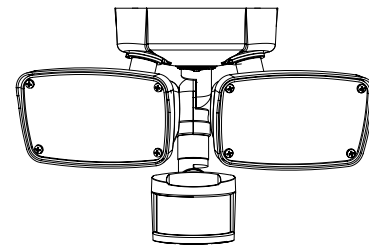
Front View



Side View



Eave Mount



**Ordering Information**

Sample Number: MST20C18W

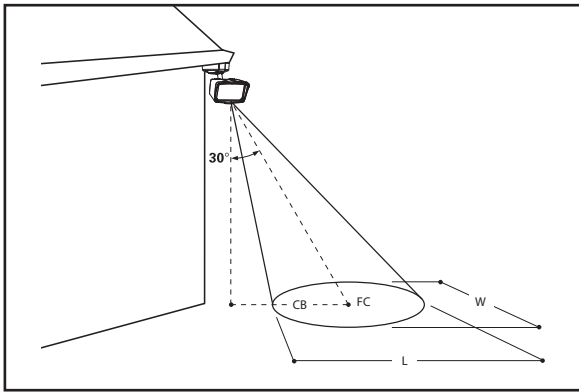
<b>Application</b> MS = Motion Sensor	<b>Heads</b> T = Twin Head	<b>Nominal Wattage</b> 20 = 20W	<b>Protocol</b> C = Connected Bluetooth Mesh Wireless Control, 4.0	<b>Motion Sensor</b> 18 = 180° Detection	<b>Finish</b> B = Bronze W = White
--	-------------------------------	------------------------------------	---	---	--



**CERTIFICATION DATA**  
cULus wet location listed

**TECHNICAL DATA**  
120-277V, 50/60Hz  
-30°C to 40°C  
temperature rating  
External supply wiring 75°  
minimum

## Photometrics



**Note:** Specifications and Dimensions subject to change without notice.

## Area Coverage

	Mounting Height	Length (L)	Width (W)	Area (Sq. Ft.)	Max FC
<b>MST20C Series</b>	10 ft.	18	40	720	4.3
	15 ft.	20	40	800	1.9
	20 ft.	20	40	800	1.1

**Note:** Bronze fixture at a typical mounting angle of 30° from vertical  
All figures based on minimum footcandle (FC) of 0.5 and 4000K CCT.

## Technical Information

Series	Voltage	Power (W)	Delivered Lumens (lm)*	Efficacy (lm/W)	CCT	CRI*	Motion Sensor
MST20C18B	120-277V, 50/60Hz	22.8	2034	89.2	Variable, 3000K - 5000K	84	Single PIR, 180° Detection
MST20C18W	120-277V, 50/60Hz	22.8	2034	89.2	Variable, 3000K - 5000K	84	Single PIR, 180° Detection

\* Based on factory default setting of 4000K CCT