

DESCRIPTION

The ALL-PRO™ LED Single Head Flood series is designed for superior area coverage in a dependable, die-cast aluminum housing. Using the latest in LED, driver and optic technologies, these products deliver lumens where you need them, keeping power consumption to a minimum. Available with and without integrated photocontrols, these fixtures come in white and bronze finish.

Catalog #		Type
Project		
Comments		Date
Prepared by		

SPECIFICATION FEATURES

Construction

- Durable die-cast aluminum housing suitable for wet locations
- Powder coated bronze or white finish
- Optically enhanced reflector improves efficiency and delivered lumens
- Tool-less head adjustment
- Flood Adaptor Kit included: suitable for wall or eave mounting to surface or recessed junction boxes, or rigid conduit mount using ½" NPS

- Easy-Install features on all models

Electrical

- 120-277V, 50/60Hz without photocontrol
- 120V with photocontrol
- Maintenance-free LEDs with 70,000 hours of life
- Fixture operating temperature range from -30°C to 40°C
- cULus listed for wet locations
- External supply wiring 75°C minimum

- Dusk to Dawn option available with integrated photo control

Optics

- Precision optics for maximum efficiency
- 5000K CCT

Warranty

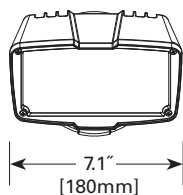
- 5 year limited warranty



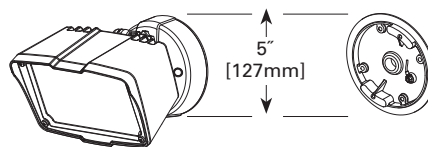
LED FLOOD SERIES

FSL2850

DIMENSIONS

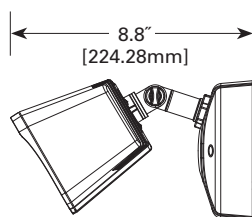


Front View

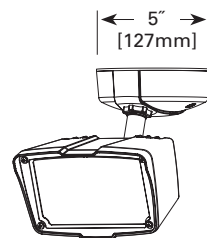


Wall Mount

Adapter Plate



Side View



Eave Mount

ORDERING INFORMATION

Model	Description	Finish
FSL2850L	Large single flood, UNV, without photocontrol	Bronze
FSL2850LW	Large single flood, UNV, without photocontrol	White
FSL2850LPC	Large single flood, 120V, with photocontrol	Bronze
FSL2850LPCW	Large single flood, 120V, with photocontrol	White

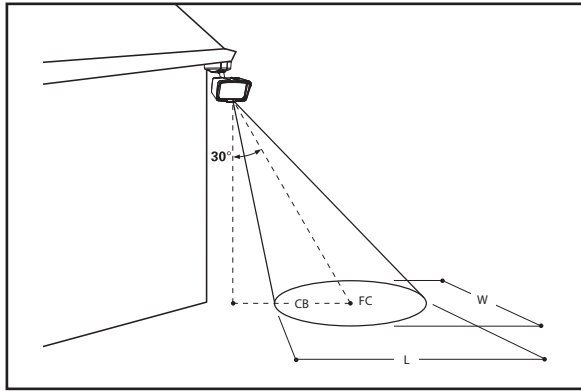
CERTIFICATION DATA

cULus Wet Location Listed
Lighting Facts® Approved

TECHNICAL DATA

120-277V, 50/60Hz without photocontrol
120V with photocontrol
-30°C to 40°C Temperature Rating
External Supply Wiring 75° Minimum

PHOTOMETRICS



Note: Specifications and Dimensions subject to change without notice.

Area Coverage Estimates

Mounting Height	Length (L)	Width (W)	Area (Sq. Ft.)
10 ft.	22	38	800
15 ft.	28	42	1150
20 ft.	32	50	1500
25 ft.	35	56	1800

Note: Bronze fixture at a typical mounting angle of 30° from vertical
All figures based on minimum footcandle (FC) of 0.5.

LIGHTING FACTS

LED lighting facts
A Program of the U.S. DOE

ALL-PRO

Light Output (Lumens)	3100
Watts	28.23
Lumens per Watt (Efficacy)	109.81

Color Accuracy Color Rendering Index (CRI)	73
---	----

Light Color
Correlated Color Temperature (CCT) 5000 (Daylight)

Warm White | Bright White | Daylight

2700K | 3000K | 4500K | 6500K

All results are according to IESNA LM-79-2008: Approved Method for the Electrical and Photometric Testing of Solid-State Lighting. The U.S. Department of Energy (DOE) verifies product test data and results.

Visit www.lightingfacts.com for the Label Reference Guide.

Registration Number: F4QJ-WMW5 (4/26/2016)
Model Number: FSL2850L
Type: Luminaire - Area/Roadway

LED lighting facts
A Program of the U.S. DOE

ALL-PRO

Light Output (Lumens)	3100
Watts	28.23
Lumens per Watt (Efficacy)	109.81

Color Accuracy Color Rendering Index (CRI)	73
---	----

Light Color
Correlated Color Temperature (CCT) 5000 (Daylight)

Warm White | Bright White | Daylight

2700K | 3000K | 4500K | 6500K

All results are according to IESNA LM-79-2008: Approved Method for the Electrical and Photometric Testing of Solid-State Lighting. The U.S. Department of Energy (DOE) verifies product test data and results.

Visit www.lightingfacts.com for the Label Reference Guide.

Registration Number: F4QJ-GS88JH (4/26/2016)
Model Number: FSL2850LW
Type: Luminaire - Area/Roadway

LED lighting facts
A Program of the U.S. DOE

ALL-PRO

Light Output (Lumens)	3100
Watts	28.23
Lumens per Watt (Efficacy)	109.81

Color Accuracy Color Rendering Index (CRI)	73
---	----

Light Color
Correlated Color Temperature (CCT) 5000 (Daylight)

Warm White | Bright White | Daylight

2700K | 3000K | 4500K | 6500K

All results are according to IESNA LM-79-2008: Approved Method for the Electrical and Photometric Testing of Solid-State Lighting. The U.S. Department of Energy (DOE) verifies product test data and results.

Visit www.lightingfacts.com for the Label Reference Guide.

Registration Number: F4QJ-4XFO2F (4/26/2016)
Model Number: FSL2850LPC
Type: Luminaire - Area/Roadway

LED lighting facts
A Program of the U.S. DOE

ALL-PRO

Light Output (Lumens)	3100
Watts	28.23
Lumens per Watt (Efficacy)	109.81

Color Accuracy Color Rendering Index (CRI)	73
---	----

Light Color
Correlated Color Temperature (CCT) 5000 (Daylight)

Warm White | Bright White | Daylight

2700K | 3000K | 4500K | 6500K

All results are according to IESNA LM-79-2008: Approved Method for the Electrical and Photometric Testing of Solid-State Lighting. The U.S. Department of Energy (DOE) verifies product test data and results.

Visit www.lightingfacts.com for the Label Reference Guide.

Registration Number: F4QJ-4DFEEL (4/26/2016)
Model Number: FSL2850LPCW
Type: Luminaire - Area/Roadway