

## DESCRIPTION

The Halo LED area and wall light with twist lock photocontrol incorporates sustainable LED technology into a reliable dusk-to-dawn security solution. This fixture provides area coverage equivalent to 100W metal halide or 70W high pressure sodium, while achieving substantial energy and maintenance savings.

<b>Catalog #</b>		<b>Type</b>
<b>Project</b>		
<b>Comments</b>		<b>Date</b>
<b>Prepared by</b>		

## SPECIFICATION FEATURES

### Construction

- Durable die-cast aluminum housing suitable for wet locations
- UV stable acrylic lens
- Open lens design eliminates collection of debris
- Available in bronze or gray powder coat finish
- Suitable for wall or pole mount
- Fits 1-5/8" EA24 pole mounting arm (available separately)

### Electrical

- Maintenance-free LEDs with L70 50,000 hours of life
- Fixture operating temperature range from -30°C to 40°C
- 12,000 cycle NEMA twist lock photocontrol
- Electrical operating voltage 120V 60Hz
- cULus listed for wet locations
- External supply wiring 75°C minimum

### Optics

- Patented precision over-optics for maximum efficiency and area light coverage
- 5000K CCT perfect for security applications

### Warranty

- 5 year limited warranty

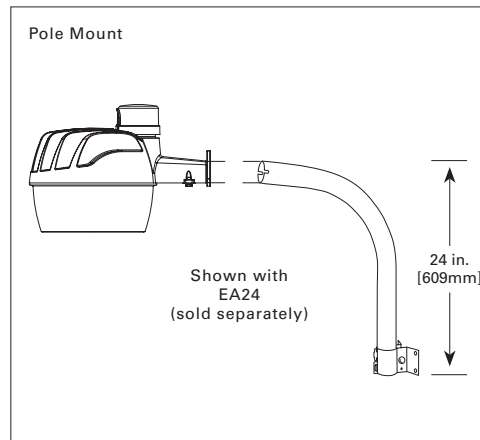
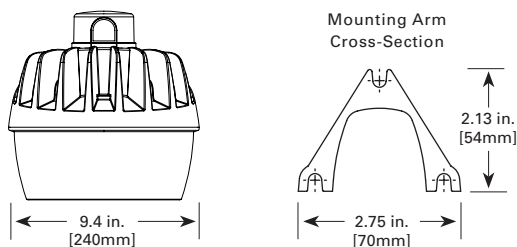


## AL3150 LED Area and Wall Light

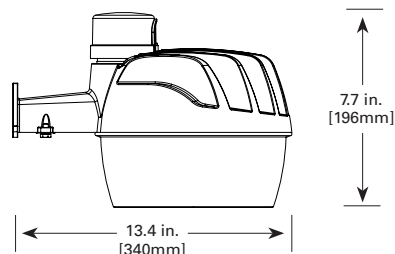
Twist Lock Photocontrol  
Wall or Pole Mount

## DIMENSIONS

### Front View



### Side View



## ORDERING INFORMATION

Model	Finish
AL3150LPCBZ	Bronze
AL3150LPCGY	Gray

### Accessories<sup>1</sup>

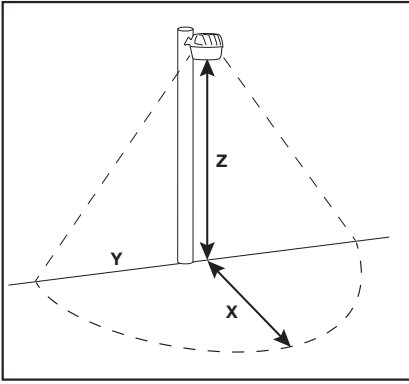
EA24 = Mounting arm for pole mount  
SL3120 = NEMA twist lock photocontrol

Notes: <sup>1</sup> Order as separate line item.

**CERTIFICATION DATA**  
cULus Wet Location Listed

**TECHNICAL DATA**  
-30°C to 40°C Temperature Rating  
External Supply Wiring 75°C Minimum  
Wall and Pole Mount

## PHOTOMETRICS



Minimum Footcandles (FC)		0.50 FC				0.35 FC			
Mounting Height (Z)		8'		12'		16'		20'	
Catalog Number	Lumens	X	Y	X	Y	X	Y	X	Y
AL3150	3500	23'	46'	30'	60'	32'	64'	40'	80'

X = Forward Throw  
Y = Wall Spread  
Z = Mounting Heights

Notes:  
Forward throw X = 1/2 Y for wall-mount applications  
See IES files for detailed photometry

## TECHNICAL INFORMATION

Series	v(V)	Power (W)	Delivered Lumens	Efficacy (Lum/Watt)	LED Color Temperature (K)	Photocontrol Options
AL3150	120	33.4	3500	104.8	5000K	Twist Lock