

The new HALO Wall Pack Series incorporates advanced LED technology and optical design to bring you a slim-profile luminaire with uncompromising performance.

Dependable and reliable security solution that provides the versatility of nighttime ON and daytime OFF or continuous operation.

## LED Wall Pack

- 8' - 15' mounting height applications
- 5000K CCT
- Versatile mounting options - Wall or Ground
- Area coverage equivalence up to 100W Metal Halide
- Perfect for residential and light commercial applications
- 5 year limited warranty



Dusk to Dawn

Floodlight

MODEL#	PRODUCT DESCRIPTION	UPC	UNIT CARTON DIMENSIONS (IN.)	MASTER CARTON	MASTER CARTON DIMENSIONS (IN.)
WP1050L	1000 Lumen Flood	0 80083 72066 8	6.49"W x 7.87"H x 3.93"D	2Pk	8.63"W x 8.56"H x 7"D
WP1050LPC	1000 Lumen Dusk to Dawn	0 80083 72067 5	6.49"W x 7.87"H x 3.93"D	2Pk	8.63"W x 8.56"H x 7"D
WP1850L	1600 Lumen Flood	0 80083 71985 3	6.49"W x 7.87"H x 3.93"D	2Pk	8.63"W x 8.56"H x 7"D
WP1850LPC	1600 Lumen Dusk to Dawn	0 80083 72027 9	6.49"W x 7.87"H x 3.93"D	2Pk	8.63"W x 8.56"H x 7"D

## LED Trunnion Mount Kit

- Adjustable heavy-duty steel trunnion
- Supplied with 12" electrical whip
- Wet location rated for outdoor use



LED Trunnion Mount Kit

MODEL#	PRODUCT DESCRIPTION	UPC	UNIT CARTON DIMENSIONS (IN.)	MASTER CARTON	MASTER CARTON DIMENSIONS (IN.)
WPFLD-TRN	LED Wall Pack Floodlight Kit	0 80083 72492 5	5.71"W x 5.12"H x 2.56"D	4Pk	11.02"W x 6.1"H x 6.53"D



Powering Business Worldwide

Eaton  
1121 Highway 74 South, Peachtree City, GA 30269

© 2018 Eaton. All Rights Reserved. Publication No. SA502081EN. April 2018  
www.eaton.com/lighting

## LED Wall Pack

- Versatile Ground Mount Wall Options
- Dusk to Dawn versions feature integrated photocell



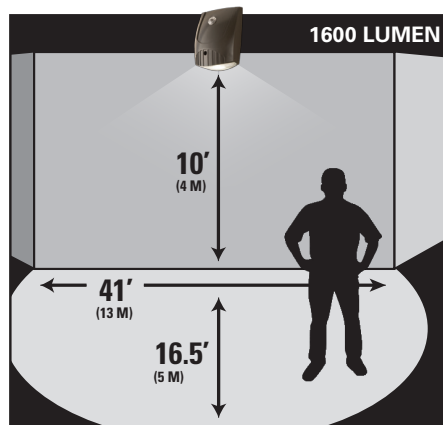
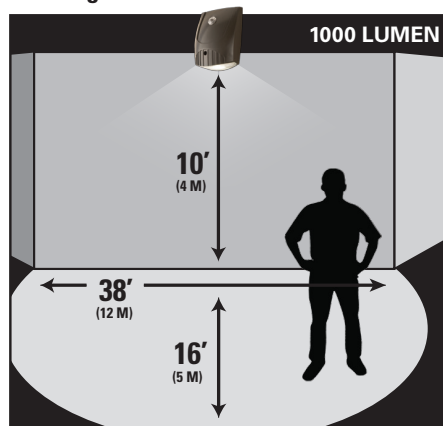
Versatile wall mount options

MODEL#	VOLTAGE	POWER	LUMENS	EFFICACY LUMEN/WATT	LED CCT
WP1050L/WP1050LPC	120V	12.3W	1000	81.3	5000K
WP1850L/WP1850LPC	120V	18.7W	1600	85.6	5000K



Ground mount floodlight kit (Part # WPFLD-TRN) sold separately

### Coverage Area



### Features

Mounts easily to recessed junction box; cover plate included

Integral photocontrol provides nighttime ON Daytime OFF

Die-cast aluminum

Maintenance-free LEDs with 50,000 hours of life



**T24** Can be used to comply with California Title 24 High Efficacy requirements

**T20** Certified to California Title 20 Appliance Database