

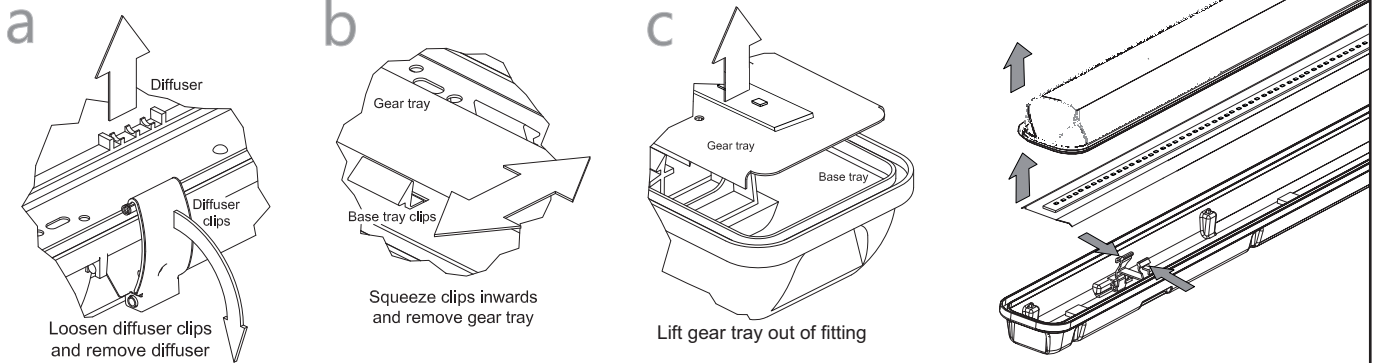
VersaLite



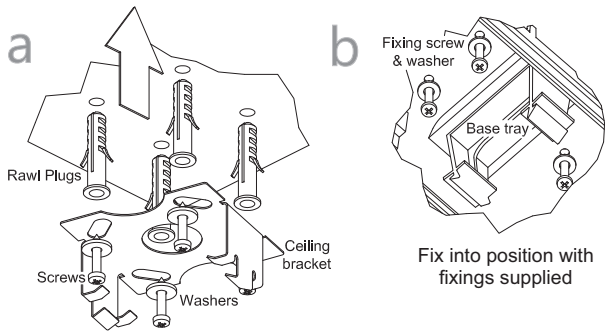
IMPORTANT: ISOLATE SUPPLY BEFORE SERVICING

- Product luminaires comply with EN60598 and are suitable for use in normal interior conditions.
- This luminaire has an ambient temperature range of -25°C to 25°C for the non-emergency version
- For Emergency variants - This luminaire has an ambient temperature range of 5°C to 25°C, to ensure the batteries work correctly

1 Disassemble

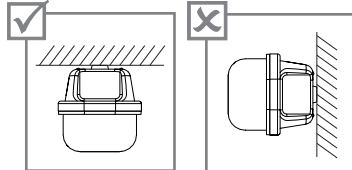


2 Mounting



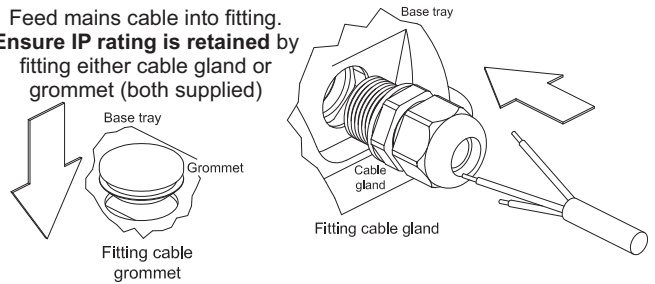
Secure ceiling brackets in desired position
Fixings supplied

This luminaire is IP65 rated, this rating only applies when the luminaire is mounted observing the correct orientation and must not be positioned in direct sunlight. In exterior applications luminaires must be protected under a canopy or cover. Housings are not suitable for mounting with the base directly on a vertical surface in the horizontal orientation.



3 Wiring

Feed mains cable into fitting.
Ensure IP rating is retained by fitting either cable gland or grommet (both supplied)



Mains

- L - Brown (Switched) Live
- ⊕ - Green/Yellow (Earth)
- N - Blue (Neutral)

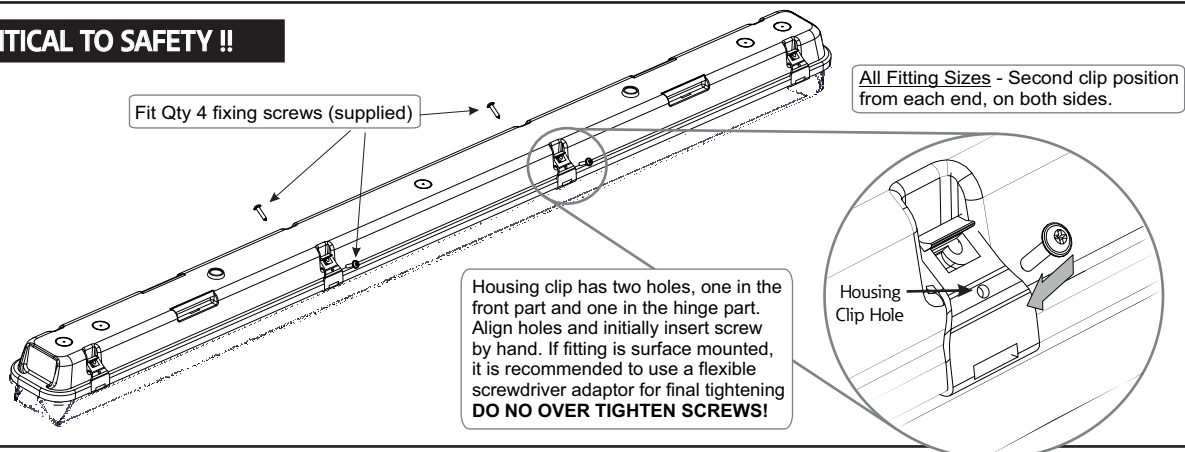
Emergency

- 2 - Brown (Switched) Live
- 1 - Black (Unswitched) Live
- ⊕ - Green/Yellow (Earth)
- N - Blue (Neutral)

DALI Dimming: Where applicable a 2 way terminal is provided in the luminaire geartray.

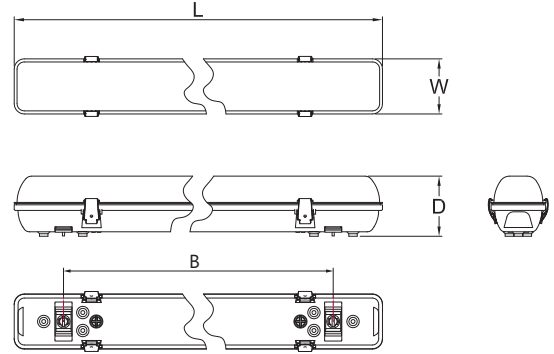
Product suitable for looping with max conductor size 2 x 2.5mm²
Once complete follow the steps in section 1 in reverse order

4 !! CRITICAL TO SAFETY !!



5 Dimensions

Model	Length (L) (mm)	Width (W) (mm)	Depth (D) (mm)	B (mm)	# Clips
4ft single	1265	105	110	907	8
4ft twin	1265	165	110	907	8
5ft single	1565	105	110	907	10
5ft twin	1565	165	110	907	10
6ft single	1865	105	110	1170	12
6ft twin	1865	165	110	1170	12



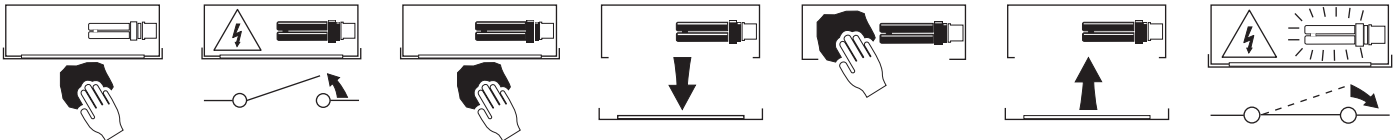
Safe Operation

1. Check the rating label for voltage and frequency before connecting this luminaire to the electrical supply.
2. Ensure that the mains supply is switched off when working on this luminaire, whether installing or carrying out any other servicing.
3. To prevent damage to driver, do not mix with conventional magnetic ballasts on the same electrical circuit.
4. Where use in more onerous situations is required, e.g. In part-completed buildings before "drying-out" is completed, or areas where ambient temperatures are outside the normal temperature range, then consult our Sales Office.
5. The light source contained in this luminaire shall only be replaced by the manufacturer or his service agent or a similar qualified person.

Servicing and Disposal

1. At commissioning and handing over of installation ensure that a copy of these instructions is presented to the authority responsible for the operation and maintenance of the luminaires.
2. Servicing, e.g. cleaning, must only be carried out after the electricity supply has been switched off. It must not be assumed that luminaires with lamps not lit are switched off-always check before servicing.
3. Cleaning should be carried out at regular intervals to ensure that dirt does not accumulate to an extent that will impair the thermal safety or optical performance of the luminaire. Regular cleaning will also ensure that the optical performance of the luminaires is maintained.
4. Avoid touching the LED array surface. To clean - Blow surface with either dry air or nitrogen gas.
5. At the end of life the luminaire is classed as WEEE under directive 2012/19/EU and should be disposed of in accordance with local legislation.

Luminaire Cleaning



End of Life and Components Disposal

