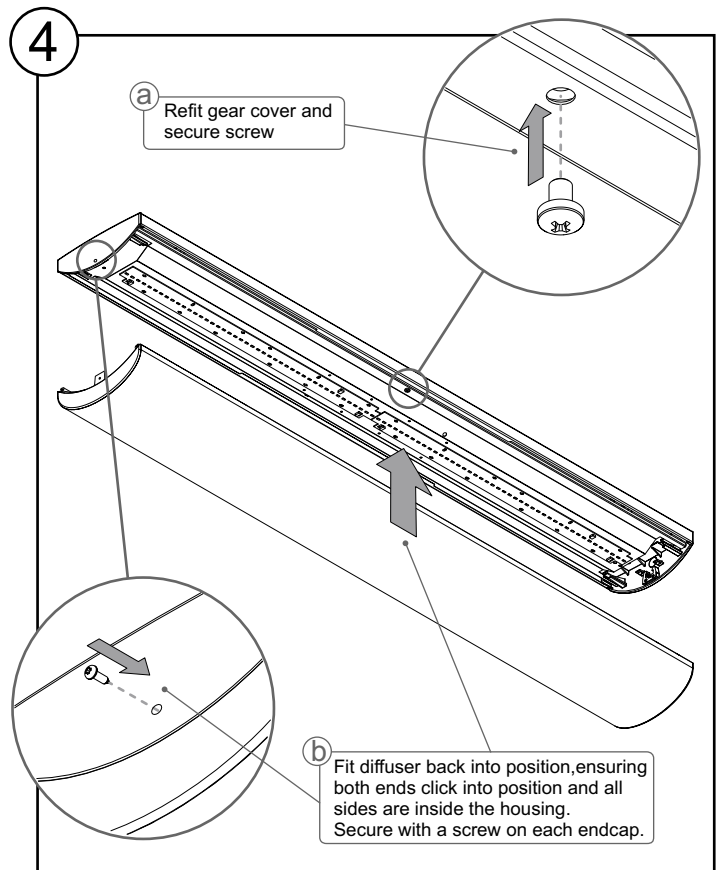
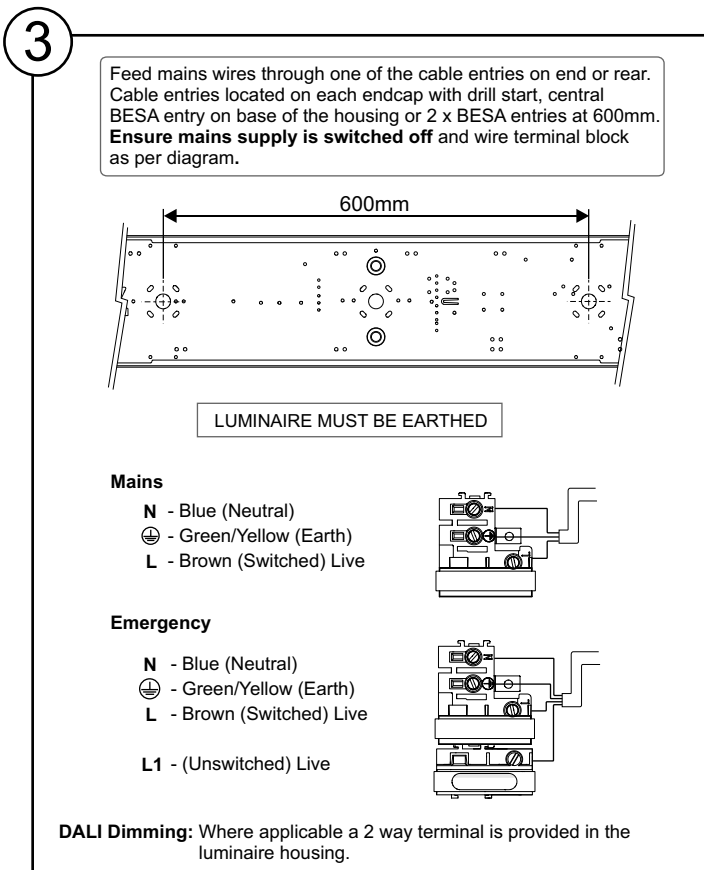
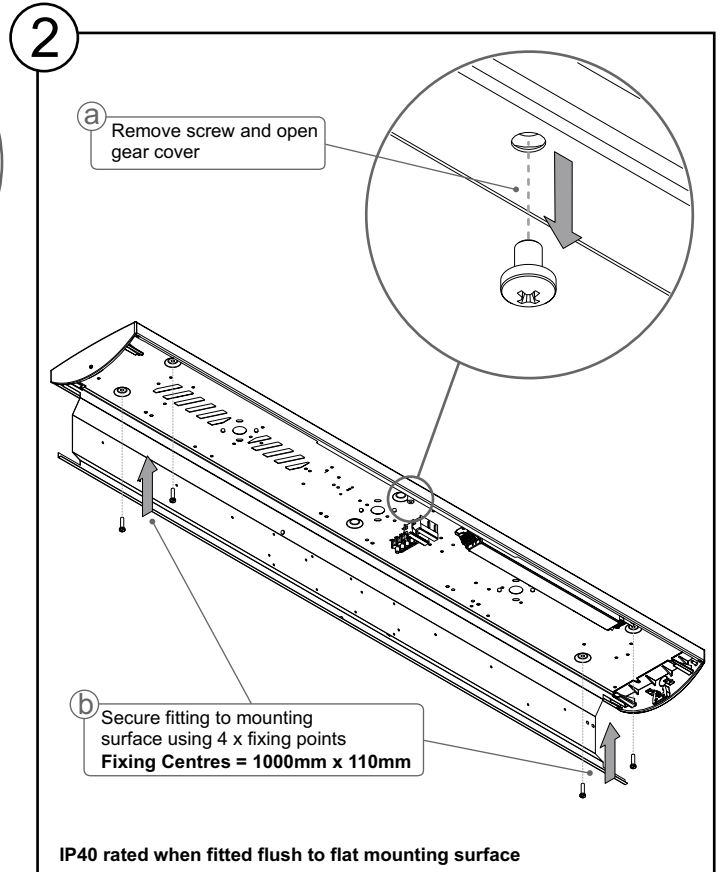
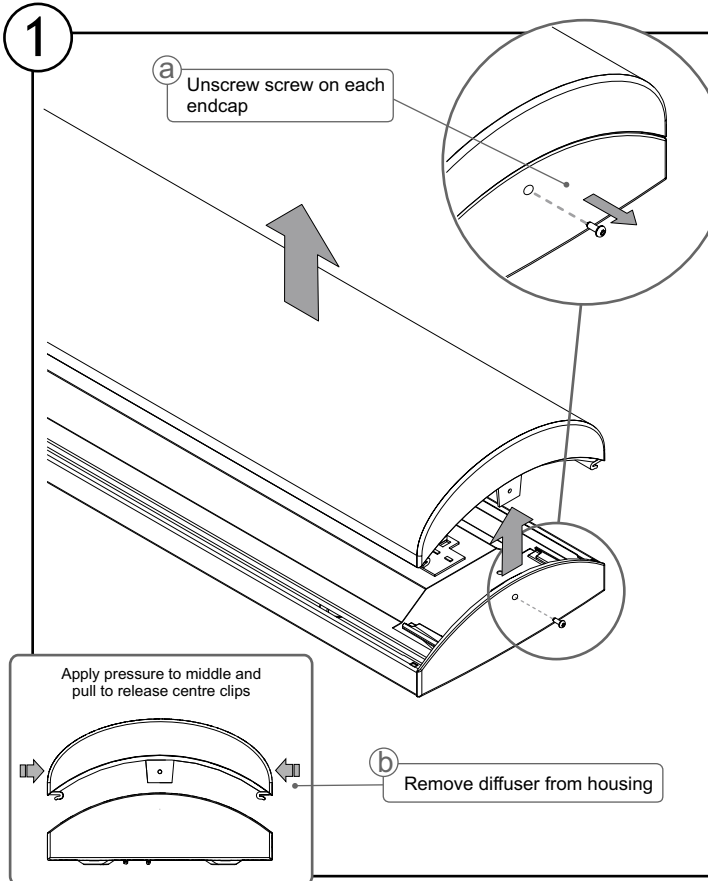


# Installation Instructions for: Varsity LED



- Product luminaires comply with EN60598 and are suitable for use in normal interior conditions.
- This luminaire has an ambient temperature range of -25°C to 25°C for the non-emergency version
- For Emergency variants - This luminaire has an ambient temperature range of 5°C to 25°C, to ensure the batteries work correctly



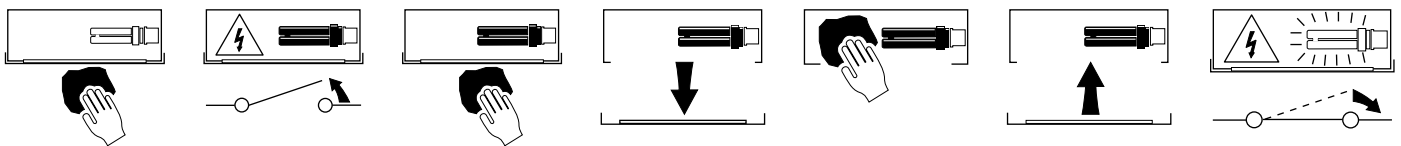
## Safe Operation

1. Check the rating label for voltage and frequency before connecting this luminaire to the electrical supply.
2. Ensure that the mains supply is switched off when working on this luminaire, whether installing, re-lamping or carrying out any other servicing.
3. Use the correct lamps as initially supplied or as indicated on the ballast label.
4. This luminaire is suitable for direct mounting on all non-combustible and normally flammable materials, e.g. timber, plasterboard. Do not mount luminaire on or close to readily flammable materials.
5. To prevent damage to H.F. Ballasts do not mix H.F. and Conventional Magnetic Ballasts (Switch, Quick or S.R Start) on the same electrical circuit.

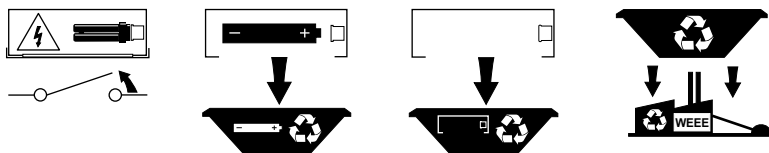
## Servicing and Lamp Disposal

1. At commissioning and handing over of installation ensure that a copy of these instructions is presented to the authority responsible for the operation and maintenance of the luminaries.
2. Servicing, e.g. cleaning, lamp replacement, must only be carried out after the electricity supply has been switched off. It must not be assumed that luminaires with lamps not lit are switched off- always check before servicing.
3. Cleaning should be carried out at regular intervals to ensure that dirt does not accumulate to an extent that will impair the thermal safety of the luminaire. Regular cleaning will also ensure that the optical performance of the luminaires is maintained.
4. Failed lamps and starter switches must be replaced as soon as practicable by lamps and starters of the same type. For electronic start circuits allow **one minute** for the thermal cut-out to re-set before switching on the mains supply.
5. At the end of life the lamp and luminaire are classed as WEEE under directive 2002/96/EC and should be disposed of in accordance with local legislation.
6. All other parts of these luminaries, in small quantities, may be disposed of in the normal way. However, if large quantities of plastic are to be incinerated special precautions should be taken against the fumes which may be given off.

## Luminaire Cleaning



## End of Life and Components Disposal



### Eaton Electrical Systems Ltd

Wheatley Hall Road, Doncaster, South Yorkshire, DN2 4NB

#### Sales

T: +44 (0)1302 303303  
F: +44 (0)1302 367155  
E: [LightingSalesUK@Eaton.com](mailto:LightingSalesUK@Eaton.com)

#### General

+44 (0)1302 321541  
+44 (0)1302 303220  
[LightingTechnical@Eaton.com](mailto:LightingTechnical@Eaton.com)

#### International Sales

+44 (0)1302 303250  
+44 (0)1302 303251  
[exportUK@eaton.com](mailto:exportUK@eaton.com)