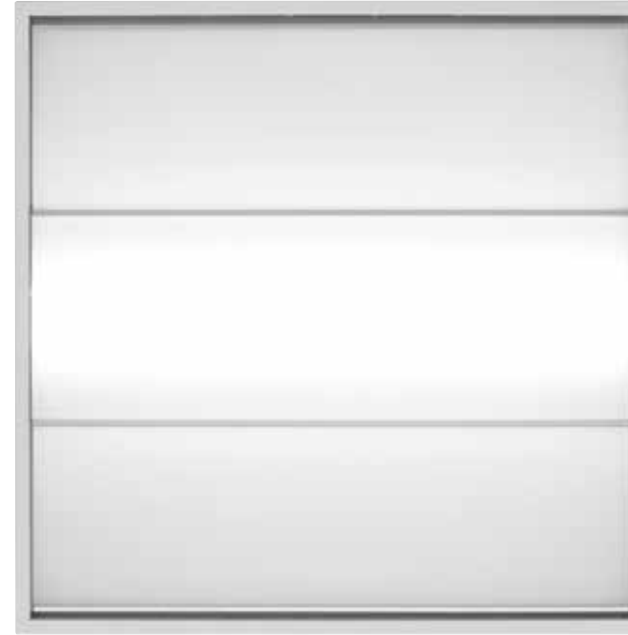


Terzetto™



The office is redefined by Eaton's Terzetto™ range of luminaires. Performance leading efficiency combined with clean looks makes this adaptable range of LED luminaires the perfect choice in today's demanding office environment.

The unique combination of optical control achieved by OptoUndulant™ technology and up to 110 luminaire lumens per circuit watt allow maximum energy savings without sacrificing lighting quality.

Fully adaptable in exposed 'T' and metal pan ceilings, Terzetto™ integration is guaranteed in a wide range of applications. Available in three body combinations and with a low profile footprint, Terzetto™ redefines the office.

- Maximum utilised efficiency in LED technology
- Integrates in exposed 'T' and metal pan ceilings as standard
- Revolutionary emergency operation reduces the number of installed points
- Contemporary materials and minimalist design compliment the clean lines of Terzetto™
- Integrated emergency versions with automatic testing available

Light Engine and Control Gear Options

- LED - high output, high efficiency LED chip set optimised for maximum efficacy
- Energy efficient fixed output control gear as standard

Materials

- Diffuser - OptoUndulant™ and opalised diffusers - high transmission, TPa rated and building regulations part B compliant
- Anodised aluminium frame detail for strength and modern aesthetic looks
- Housing - mild steel construction for rigidity, powder coated RAL9016 (other colours on application)
- Internal balanced white diffuse reflector for even output

Installation Notes

- Fully adaptable luminaires suitable for exposed 'T' and lay-in applications
- For ceiling compatibility refer to installation guide on page 66
- Order side support arms for 'draw up' applications (ordered separately) e.g. MSBKX bearer bracket (external fixing access required)
- Optional brackets allow for direct mounting in metal pan ceiling types such as SAS330
- Standard bearer arms accommodate 20mm to 62mm supporting grid heights
- Refer to technical support for further information on bracket options and ceiling compatibility
- Bypass air handling slots as standard
- Terminal block with 2 x 2.5mm² cable capacity per termination
- Louvre/Panel frame assembly retained by positive locating frame and spring steel clips, fitted with hanging strap for hands free re-lamping (T5)
- Supplied complete with lamps
- Fused as standard
- Aids lighting scheme design to comply with BS EN 12464-1

Options

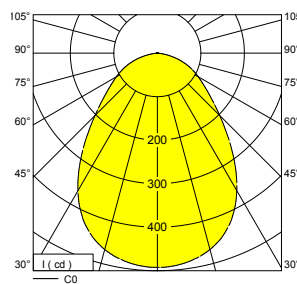
- Fully integral LED emergency conversion, 3 hour duration
- EasiCheck and Intellem self-test emergency versions available, reducing maintenance costs and offering ease of compliance with testing requirements
- Intelligent lighting system controls with mini sensor head and DALI ballast (ISM part code prefix added to DALI variants)
- Air handling with air bypass slots do not compromise performance whilst allowing a capacity of up to 25 l/s
- We offer a range of product support contracts to aid commissioning, reduce your maintenance costs, comply with legislative test requirements and increase the lifespan of your lighting equipment

Specification

To specify state: Recessed LED luminaire, of full box welded construction with post coat powder paint, RAL9016 finish, for lay-in and draw up installations, with Opto-undulant™ panel centre optic, retained on spring clips, hinged opalised TPa rated polycarbonate optical side panels and high efficiency LED modules, LED emergency option with unique lens optic delivering 10m x 10m distribution, Eaton's Terzetto™ range part no _____

Photometric data

Cat. No. TER133004KZ



LO 3189lm
31W

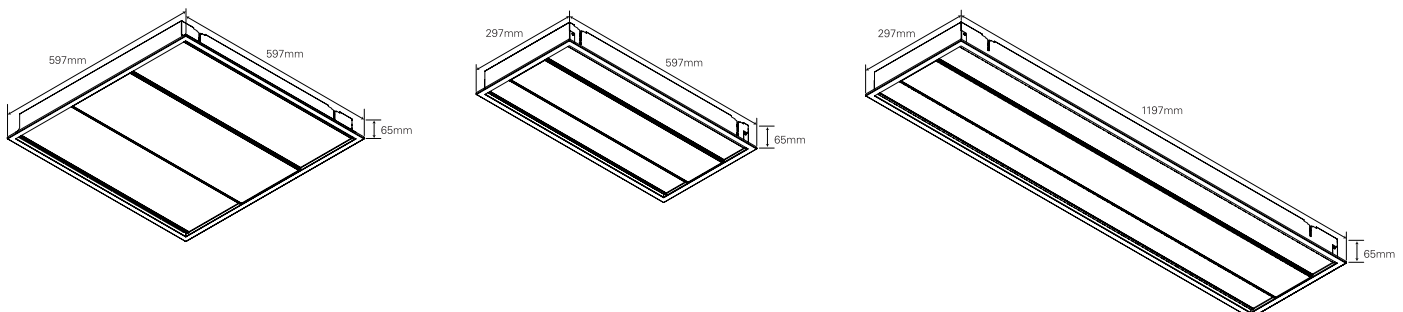
Utilisation factors / TM5

Reflectances			Room index								
C	W	F	0.75	1.0	1.25	1.5	2.0	2.5	3.0	4.0	5.0
0.7	0.5	0.2	65	74	81	86	92	96	99	103	106
0.7	0.3	0.2	58	68	75	80	87	92	95	100	103
0.7	0.1	0.2	53	63	70	75	82	88	91	97	100
0.5	0.5	0.2	63	72	79	83	89	93	96	99	101
0.5	0.3	0.2	57	67	73	78	84	89	92	96	99
0.5	0.1	0.2	53	62	69	74	81	86	89	94	97
0.3	0.5	0.2	62	71	76	81	86	90	92	96	98
0.3	0.3	0.2	57	66	72	76	82	87	89	93	96
0.3	0.1	0.2	52	61	68	73	79	84	87	91	94
0.0	0.0	0.0	50	59	65	70	76	80	83	87	89
BZ-class			3	3	3	3	3	3	3	3	3

SHR nom: 1.25
SHR max: 1.399

See page 382 for design guide

Dimensions



Catalogue Numbers

LED



Variant	Lumen Output	Wattage (w)	Llm/cW	Cat No	Weight (kg)	Emergency Cat No	Weight (kg)
600x600							
4000	4644	44.4	104.4	TER664004KZ	5.1	ELTER664004KZ	5.5
3000	3437	31.7	108.4	TER663004KZ	5.1	ELTER663004KZ	5.5
2000	2246	20.4	110.0	TER662004KZ	5.1	ELTER662004KZ	5.5
600x300							
2500	2249	25.3	88.9	TER632504KZ	3.2	ELTER632504KZ	3.6
2000	2114	23.6	89.7	TER632004KZ	3.2	ELTER632004KZ	3.6
1500	1558	17.1	91.4	TER631504KZ	3.2	ELTER631504KZ	3.6
1200x300							
4000	4061	41.6	97.5	TER134004KZ	7.1	ELTER134004KZ	7.5
3000	3189	31.8	100.1	TER133004KZ	7.1	ELTER133004KZ	7.5
2000	2072	20.5	101.0	TER132004KZ	7.1	ELTER132004KZ	7.5

For DALI Dimming option replace character Z with **DD**, e.g. TER664004KZ becomes TER664004KDD

For DALI EM PRO emergency options add character **P** as a suffix, e.g. ELTER664004KDD becomes ELTER664004DDP

Emergency versions also available with automatic test functionality, e.g. CGLine+

For further information, contact our technical support and application department on 01302 303240 or email LightingTechnicalUK@Eaton.com

Llm/cW = luminaire lumens per circuit watt

Module 600

	600 x 600		600 x 300		1200 x 300	
LED (OptoUndulant™)	44w	4644lm	25w	2249lm	41w	4061lm
LED (OptoUndulant™)	31w	3437lm	23w	2114lm	31w	3189lm
LED (OptoUndulant™)	20w	2246lm	17w	1558lm	20w	2072lm

For more information on the installation requirements and product specifications, please visit our website: <https://uk.eaton.com/content/gb/en/products/product-catalog/recessed-ceiling-lights-terzetto-eaton.html>