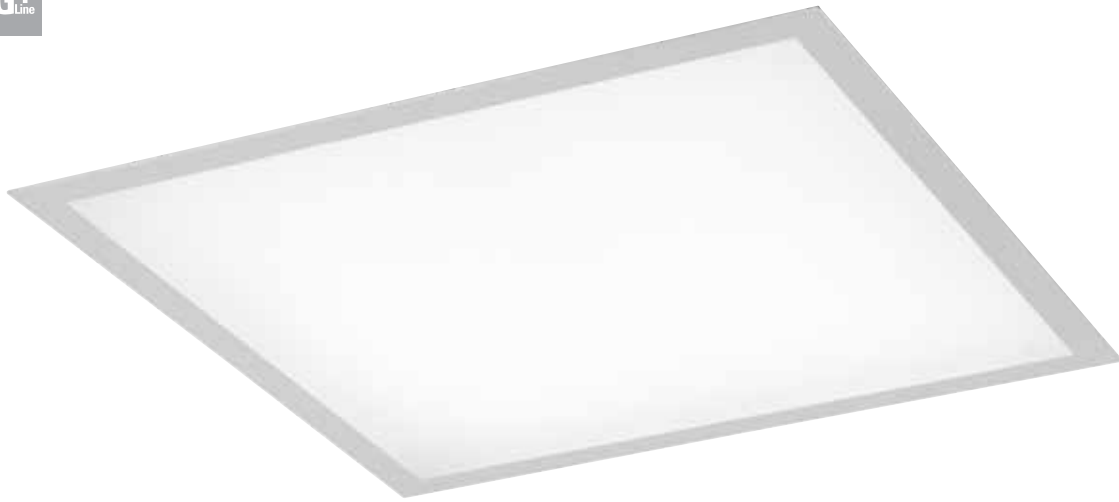


# 1 Taliska



Taliska is the next step in modular LED lighting. With an innovative backlit construction, clean minimalist lines and high efficiency, Taliska provides a new alternative for conventional general lighting applications. Rapid installation is a key benefit thanks to the side mounted plug and socket arrangement, connections are all external to save valuable time on site.

An opaline acrylic diffuser gives an evenly lit appearance across the whole face.

Emergency operation, via a discrete LED, is optically controlled with an advanced lens making exceptional spacing possible.

- High efficacies of up to 120 Llm/cW which exceed the requirements of UK Building Regulations: Part L and Section 6 (Scotland)
- Close colour tolerance: MacAdam 3 SDCM
- Quick and simple installation with a lay-in solution complete with plug/socket mains and DALI connection
- 3 hour maintained emergency versions available
- Exceptional spacing from the integral LED emergency reduces the number of emergency luminaires required

**Light Engine and Control Gear Options**

- High output, high efficacy LED chip set optimised for recessed panel options
- Energy efficient fixed output control gear as standard
- Dimming option - DALI

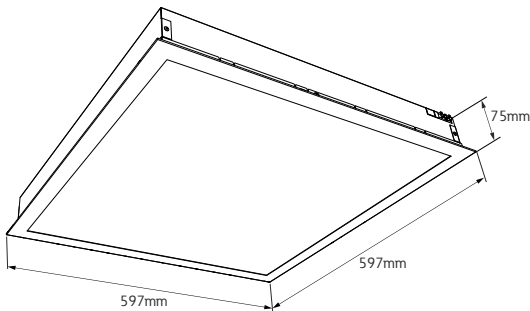
**Materials**

- Body - full box steel construction, powder coated in RAL9016 finish
- Panel optic - Acrylic UV stable opaline panel
- Panel frame – monolithic seamless steel construction, powder coated in RAL9016 finish

**Installation Notes**

- Suitable for exposed 'T' ceilings
- Rear socket and plug (included) for rapid installation
- Emergency variants are fused as standard
- May aid lighting scheme design to comply with BS EN 12464-1

**Dimensions**



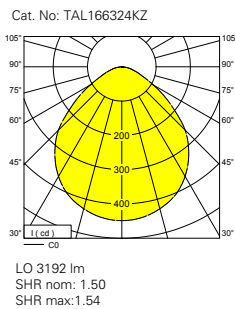
**Options**

- Fully integral LED emergency conversion, 3 hour duration
- CGLine+ self-test emergency versions available, reducing maintenance costs and offering ease of compliance with testing requirements
- We offer a range of product support contracts to aid commissioning, reduce your maintenance costs, comply with legislative test requirements and increase the lifespan of your lighting equipment

**Specification**

To specify state: Recessed back-lit LED luminaire, of full box welded construction with post coat powder paint, RAL9016 finish, for lay-in installations, with opaline acrylic panel diffuser and high efficiency LED modules, LED emergency option with unique lens optic delivering up to 10m x 10m coverage distribution, Eaton's Taliska range part no \_\_\_\_\_

**Photometric Data**



|              |    | Utilisation factors /TM5 |            |    |      |     |    |     |     |     |     |  |
|--------------|----|--------------------------|------------|----|------|-----|----|-----|-----|-----|-----|--|
| Reflectances |    |                          | Room index |    |      |     |    |     |     |     |     |  |
| C            | W  | F                        | 0.75       | 1  | 1.25 | 1.5 | 2  | 2.5 | 3   | 4   | 5   |  |
| 70           | 50 | 20                       | 69         | 77 | 83   | 88  | 94 | 98  | 100 | 104 | 106 |  |
| 70           | 30 | 20                       | 62         | 70 | 77   | 82  | 89 | 93  | 96  | 101 | 103 |  |
| 70           | 10 | 20                       | 58         | 65 | 73   | 78  | 85 | 89  | 93  | 98  | 101 |  |
| 50           | 50 | 20                       | 67         | 75 | 81   | 85  | 91 | 94  | 97  | 100 | 102 |  |
| 50           | 30 | 20                       | 61         | 69 | 76   | 80  | 87 | 91  | 94  | 97  | 100 |  |
| 50           | 10 | 20                       | 57         | 65 | 72   | 76  | 83 | 87  | 91  | 95  | 98  |  |
| 30           | 50 | 20                       | 66         | 73 | 79   | 83  | 88 | 91  | 94  | 96  | 98  |  |
| 30           | 30 | 20                       | 61         | 68 | 74   | 79  | 84 | 88  | 91  | 94  | 97  |  |
| 30           | 10 | 20                       | 57         | 64 | 71   | 75  | 81 | 86  | 89  | 92  | 95  |  |
| 0            | 0  | 0                        | 55         | 62 | 68   | 73  | 78 | 82  | 85  | 88  | 90  |  |
| BZ-class     |    |                          | 2          | 2  | 2    | 2   | 2  | 2   | 3   | 3   | 3   |  |

See page 468 for design guide

**Catalogue Numbers**

| Variant | Lumen Output | Wattage (w) | Llm/cW | Cat No      | Weight (kg) | Emergency Cat No | Weight (kg) |
|---------|--------------|-------------|--------|-------------|-------------|------------------|-------------|
| 2800 lm | 2869         | 23.9        | 120    | TAL166284KZ | 4.3         | ELTAL166284KZ    | 4.8         |
| 3200 lm | 3192         | 28.8        | 119    | TAL166324KZ | 4.3         | ELTAL166324KZ    | 4.8         |
| 3800 lm | 3774         | 32.6        | 115.5  | TAL166384KZ | 4.3         | ELTAL166384KZ    | 4.8         |

For DALI Dimming option replace character Z with DD , e.g. TAL66284KZ becomes TALP66284KDD

Emergency versions also available with automatic test functionality, e.g. CG Line+

For further information, contact our Technical Support and Application department on 01302 303240 or email LightingTechnicalUK@Eaton.com

Llm/cW = luminaire lumens per circuit watt

For more information on the installation requirements and product specifications, please visit our website: <https://uk.eaton.com/content/gb/en/products/product-catalog/taliska.html>