

1 Taliska P



Taliska P brings together clean aesthetics with compliance enhancing features. The optical design and materials are a key feature to its appeal.

Designed with a Microprism and dispersal diffuser combination, luminance and glare limits required in office and other applications may be realised. Taliska P offers a very versatile solution to many lighting applications

Simple installation is a key benefit thanks to the side mounted plug and socket arrangement. Connections are all external, saving valuable time on site and maintaining internal integrity. Taliska P is also available with optional side brackets for pull-up applications, making it truly adaptable for a wide range of ceilings.

Emergency operation, via a discrete LED, is optically controlled with an advanced lens making exceptional spacing possible.

- Outstanding 'quality of light' optical performance
- Backlit construction for even lighting distribution and thermal efficiency
- High efficacies of up to 103 Llm/cW which exceed the requirements of UK Building Regulations: Part L and Section 6 (Scotland)
- Microprism and dispersal diffuser combination may contribute to EN124641 requirements for scheme compliance
- Quick and simple installation with a lay-in or pull up (additional brackets required) solution complete with plug/socket mains and DALI connection
- Close colour tolerance: MacAdam 3 SDCM
- 3 hour maintained emergency versions available
- Exceptional spacing from the integral LED emergency reduces the number of emergency luminaires required

Light Engine and Control Gear Options

- High output, high efficacy LED chip set optimised for recessed panel options
- >80 CRI 4000°K
- Energy efficient fixed output control gear as standard
- Dimming option – DALI

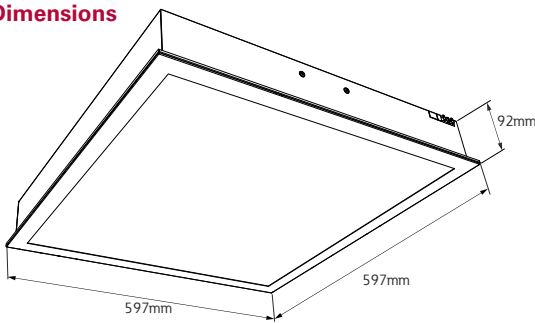
Materials

- Body - welded, full box steel construction, powder coated in RAL9016 finish
- Panel optic – acrylic microprism and dispersal diffuser combination with 65° cut-off angle characteristics
- Panel frame – monolithic seamless steel construction, powder coated in RAL9016 finish

Installation Notes

- Suitable for exposed ‘T’ and some “half tee” metal pan ceilings
- Suitable for UGR <19 applications
- Order side support bracket set for ‘draw up’ applications (**ordered separately**) TALPBK
- Rear socket and plug (included) for rapid installation
- Emergency variants are fused as standard
- May aid lighting scheme design to comply with BS EN 12464-1

Dimensions



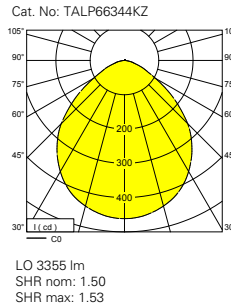
Options

- Fully integral LED emergency conversion, 3 hour duration
- CGLine+ self-test emergency versions available, reducing maintenance costs and offering ease of compliance with testing requirements
- We offer a range of product support contracts to aid commissioning, reduce your maintenance costs, comply with legislative test requirements and increase the lifespan of your lighting equipment

Specification

To specify state: Recessed back-lit LED luminaire, of full box welded construction with post coat powder paint, RAL9016 finish, for lay-in installations, with acrylic microprism and dispersal diffuser combination and high efficiency LED modules, LED emergency option with unique lens optic delivering up to 10m x 10m coverage distribution, Eaton’s Taliska range part no

Photometric Data



Reflectances			Utilisation factors / TM5								
			Room index								
C	W	F	0.75	1	1.25	1.5	2	2.5	3	4	5
70	50	20	70	78	84	88	94	98	101	104	107
70	30	20	63	71	78	83	90	94	97	101	104
70	10	20	59	67	74	79	86	90	94	98	102
50	50	20	68	76	82	86	91	95	97	101	103
50	30	20	62	70	77	81	87	91	94	98	100
50	10	20	58	66	73	77	84	88	91	96	98
30	50	20	67	74	80	84	89	92	94	97	99
30	30	20	62	69	75	80	85	89	91	95	97
30	10	20	58	65	72	76	82	86	89	93	95
0	0	0	56	63	69	74	79	83	85	89	91
BZ-class			2	2	2	2	2	2	2	2	2

See page 468 for design guide

Catalogue Numbers

Variant	Lumen Output	Wattage (w)	Llm/cW	Cat No	Weight (kg)	Emergency Cat No	Weight (kg)
2400 lm	2428	23.6	102.8	TALP66244KZ	4.5	ELTALP66244KZ	5.0
3400 lm	3355	33.9	98.7	TALP66344KZ	4.5	ELTALP66344KZ	5.0
4200 lm	4231	45.3	95.1	TALP66424KZ	4.5	ELTALP66424KZ	5.0

For DALI Dimming option replace character Z with DD , e.g. TALP66244KZ becomes TALP66244KDD

For Sensor option add the characters ISM, e.g. TALP66244KZ becomes ISMTALP66244KZ

Emergency versions also available with automatic test functionality, e.g. CG Line+

For further information, contact our Technical Support and Application department on 01302 303240 or email LightingTechnicalUK@Eaton.com

Llm/cW = luminaire lumens per circuit watt

Accessories

Description	Cat No
TALISKA P BEARER KIT (2 bearer brkts)	TALPBK

For more information on the installation requirements and product specifications, please visit our website: <https://uk.eaton.com/content/gb/en/products/product-catalog/taliska-p.html>