

Silindru



The Silindru is the latest addition to our downlight portfolio. With 2 lumen packages, one in 3000k and one in 4000k, Silindru offers a versatile multi-directional illumination with space saving minimalistic aesthetic. Suitable for a wide range of applications involving offices, show rooms and reception areas.

The combination of a high lumen package with a colour rendering of >90 makes this the perfect luminaire to light up a display or highlight a feature in room.

With an integrated driver, the Silindru offers a sleek appearance by incorporating the aluminium housing in both black and white. The luminaire is enhanced further by track and connectors in complementary colours, black or white completing the clean aesthetics.

- Available in 3000K & 4000K CCT options
- Suitable for a range of applications from noticeboards, displays to product focus areas and feature lighting
- Highly versatile light source with powerful LED chip solution
- Wide range of connector accessories
- Modern appearance with sleek aesthetics and minimalistic design

LED and Control Gear Options

- High output, efficient LED
- Colour rendering: >90 CRI
- MacAdam factor: 3
- Lifetime data: L80, B20>50,000 hours
- Trailing edge dimming

Materials

- Body - Aluminum housing
- Colour - White (RAL 9003) or Black (RAL 9004)
- Optics - Clear glass

Installation Notes

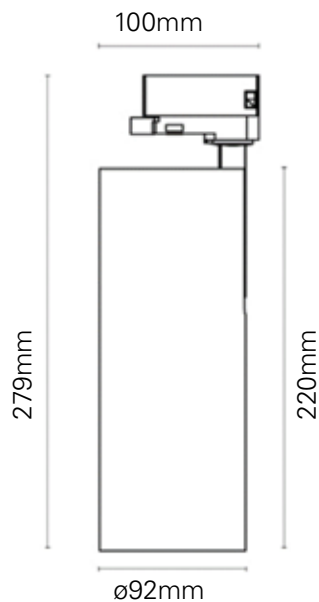
- Surface mounted
- IP20
- Protection class I
- Suitable for indoor installation only
- Shallow profile solution, do not cover

Options

- 3000K or 4000K colour temperature
- White or black housing; White (RAL 9003) or Black (RAL 9004)
- Range of accessories to support with each installation

Dimensions

Height (mm)	Diameter Ø (mm)	Length (mm)	Width (mm)	Weight (Kg)
279	92	279	92	1.2



Specification

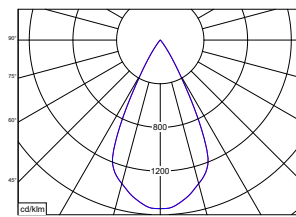
To specify state: A track and spot luminaire with high output LED. IP20, delivering 3000K / 4000K with CRI > 90 and LED lifetime of 50,000 hours. As Eaton's Silindru Track & Spot range, part no.

Technical Data

IP rating	IP20
CRI	>90 CRI
Colour Temperature	3000K, 4000K
DALI non DALI	Trail edge dimming
Life time data	50,000 hours @ L80/B20
Power factor	>0.95/0.90
MacAdam	3 SCDM
Operating Temperature	25 degrees
Inrush Current and Duration	7A

Photometric Data

Wide beam with 50 degree reflector 4K

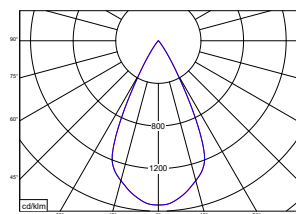


SHRnom : 0.75
SHRmax : 0.753

Utilisation factors / TM5

Reflectances		Room Index									
C	W	F	0.75	1.0	1.25	1.5	2	2.5	3.0	4.0	5.0
0.7	0.5	0.2	89	95	98	101	104	106	108	110	111
0.7	0.3	0.2	85	91	95	97	101	104	105	108	109
0.7	0.1	0.2	82	88	92	95	99	102	103	106	108
0.5	0.5	0.2	88	93	96	99	101	103	104	106	107
0.5	0.3	0.2	84	90	93	96	99	101	103	105	106
0.5	0.1	0.2	82	87	91	94	97	99	101	103	105
0.3	0.5	0.2	87	92	95	96	99	100	101	103	103
0.3	0.3	0.2	84	89	92	94	97	99	100	101	102
0.3	0.1	0.2	82	87	90	92	95	97	99	100	101
0	0	0	80	85	88	90	92	94	95	96	97
BZ-class	1	1	1	1	1	1	1	1	1	1	1

Wide beam with 50 degree reflector 3K

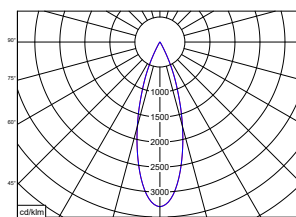


SHRnom : 0.75
SHRmax : 0.757

Utilisation factors / TM5

Reflectances		Room Index									
C	W	F	0.75	1.0	1.25	1.5	2	2.5	3.0	4.0	5.0
0.7	0.5	0.2	89	95	98	101	104	106	108	110	111
0.7	0.3	0.2	85	91	95	97	101	104	105	108	109
0.7	0.1	0.2	82	88	92	95	99	102	103	106	108
0.5	0.5	0.2	88	93	96	99	101	103	104	106	107
0.5	0.3	0.2	84	90	93	96	99	101	103	104	106
0.5	0.1	0.2	82	87	91	93	97	99	101	103	105
0.3	0.5	0.2	87	92	94	96	99	100	101	103	103
0.3	0.3	0.2	84	89	92	94	97	99	100	101	102
0.3	0.1	0.2	81	87	90	92	95	97	99	100	101
0	0	0	80	85	88	90	92	94	95	96	97
BZ-class	1	1	1	1	1	1	1	1	1	1	1

With 32 degree (standard with medium beam) reflector 4K

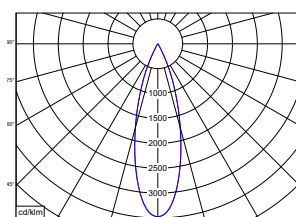


SHRnom : 0.50
SHRmax : 0.563

Utilisation factors / TM5

Reflectances		Room Index									
C	W	F	0.75	1.0	1.25	1.5	2	2.5	3.0	4.0	5.0
0.7	0.5	0.2	90	95	99	101	105	107	108	110	111
0.7	0.3	0.2	86	92	95	98	102	104	106	108	110
0.7	0.1	0.2	84	89	93	96	99	102	104	106	108
0.5	0.5	0.2	89	94	97	99	102	104	105	106	107
0.5	0.3	0.2	86	91	94	96	100	101	103	105	106
0.5	0.1	0.2	83	88	92	94	98	100	101	103	105
0.3	0.5	0.2	88	92	95	97	99	101	102	103	104
0.3	0.3	0.2	85	90	93	95	97	99	100	102	103
0.3	0.1	0.2	83	88	91	93	96	98	99	101	102
0	0	0	81	86	89	90	93	94	95	96	97
BZ-class	1	1	1	1	1	1	1	1	1	1	1

With 32 degree (standard with medium beam) reflector 3K



SHRnom : 0.50
SHRmax : 0.551

Utilisation factors / TM5

Reflectances		Room Index									
C	W	F	0.75	1.0	1.25	1.5	2	2.5	3.0	4.0	5.0
0.7	0.5	0.2	91	96	99	102	105	107	108	110	111
0.7	0.3	0.2	87	92	96	98	102	104	106	108	110
0.7	0.1	0.2	84	89	93	96	100	102	104	106	108
0.5	0.5	0.2	90	94	97	99	102	104	105	106	107
0.5	0.3	0.2	86	91	94	97	100	102	103	105	106
0.5	0.1	0.2	84	89	92	94	98	100	101	104	105
0.3	0.5	0.2	88	93	95	97	99	101	102	103	104
0.3	0.3	0.2	86	90	93	95	98	99	100	102	103
0.3	0.1	0.2	83	88	91	93	96	98	99	101	102
0	0	0	82	86	89	91	93	94	95	96	97
BZ-class	1	1	1	1	1	1	1	1	1	1	1

Catalogue Numbers

Spotlight

Note: A 32 degree reflector providing a medium beam is supplied with the luminaire. For a 50 degree reflector (wide beam), please order separately as stated within the wide reflector table below.

Medium reflector - 32 degree

Catalogue number	Description	Lumens (Lms)	Circuit Watts (W)	Luminaire Efficacy (Llm/cW)	Housing Colour	Height (mm)	Diameter (mm)	Length (L)	Width (W)	Weight (Kg)	Colour Temperature (K)
SLU21BLK3KZ	Silindru LED Spotlight 2130Lm 3K Black	2130	25.71	82.8	Black	279	92	279	92	1.2	3000
SLU21WT3KZ	Silindru LED Spotlight 2130Lm 3K White	2130	25.71	82.8	White	279	92	279	92	1.2	3000
SLU24BLK4KZ	Silindru LED Spotlight 2250Lm 4K Black	2250	25.93	86.8	Black	279	92	279	92	1.2	4000
SLU24WT4KZ	Silindru LED Spotlight 2250Lm 4K White	2250	25.93	86.8	White	279	92	279	92	1.2	4000

Wide reflector - 50 degree (to be ordered separately)

Catalogue number	Description	Lumens (Lms)	Circuit Watts (W)	Luminaire Efficacy (Llm/cW)	Housing Colour	Height (mm)	Diameter (mm)	Length (L)	Width (W)	Weight (Kg)	Colour Temperature (K)
SLU21BLK3KZ & SLU50REF	Silindru LED Spotlight 2190Lm 3K Black	2190	25.71	85.2	Black	279	92	279	92	1.2	3000
SLU21WT3KZ & SLU50REF	Silindru LED Spotlight 2190Lm 3K White	2190	25.71	85.2	White	279	92	279	92	1.2	3000
SLU24BLK4KZ & SLU50REF	Silindru LED Spotlight 2310Lm 4K Black	2310	25.93	89.1	Black	279	92	279	92	1.2	4000
SLU24WT4KZ & SLU50REF	Silindru LED Spotlight 2310Lm 4K White	2310	25.93	89.1	White	279	92	279	92	1.2	4000

Track

Catalogue number	Description	Colour	Length (L)	Weight (Kg)
SLU2MBLKTRA	Silindru Track 2m Black	Black	2m	1.0
SLU2MWTTRA	Silindru Track 2m White	White	2m	1.0
SLU3MBLKTRA	Silindru Track 3m Black	Black	3m	1.8
SLU3MWTTRA	Silindru Track 3m White	White	3m	1.8

Accessories

Catalogue number	Description
SLUENDBLKCON	Silindru Surface Tracking End Connector Black
SLUENDWTCON	Silindru Surface Tracking End Connector White
SLULFTENDBLKCON	Silindru Surface Tracking Power Connector Left Black 230V
SLULFTENDWTCON	Silindru Surface Tracking Power Connector Left White 230V
SLURGTENDBLKCON	Silindru Surface Tracking Power Connector Right Black 230V
SLURGTENDWTCON	Silindru Surface Tracking Power Connector Right White 230V
SLUMIDBLKCON	Silindru Surface Tracking Middle Connector Black 230V
SLUMIDWTCON	Silindru Surface Tracking Middle Connector White 230V
SLUFLEXBKCON	Silindru Surface Tracking Flexible Connector Black
SLUFLEXWTCON	Silindru Surface Tracking Flexible Connector White

Catalogue number	Description
SLULBKCON	Silindru L-Connector Surface Black
SLULWTCON	Silindru L-Connector Surface White
SLUXBKCON	Silindru Surface Tracking X Connector Black
SLUXWTCON	Silindru Surface Tracking X Connector White
SLU50REF	Silindru 50 Degree Reflector
SLU5MBLKKIT	Silindru Wire Kit 5M Black
SLU5MWTKIT	Silindru Wire Kit 5M White
SLULFTBLKCON	Silindru T-Connector Left Hand Surface Black 230V
SLULFTWTCON	Silindru T-Connector Left Hand Surface White 230V
SLURGT-TBKCON	Silindru T-Connector Right Hand Surface Black 230V
SLURGT-TWTCON	Silindru T-Connector Right Hand Surface White 230V

Silindru Surface Tracking End Connector



Silindru Surface Tracking Power Connector



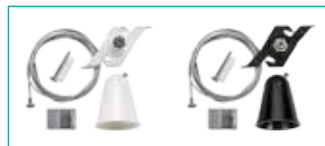
Silindru Surface Tracking Flexible Connector



Silindru Surface Tracking X Connector



Silindru Wire Kit 5m



Silindru T-Connector Surface



Silindru L-Connector Surface



Silindru 50 degree reflector



Silindru Surface Tracking Middle Connector

