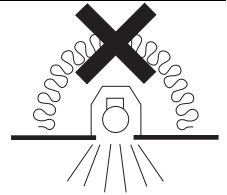
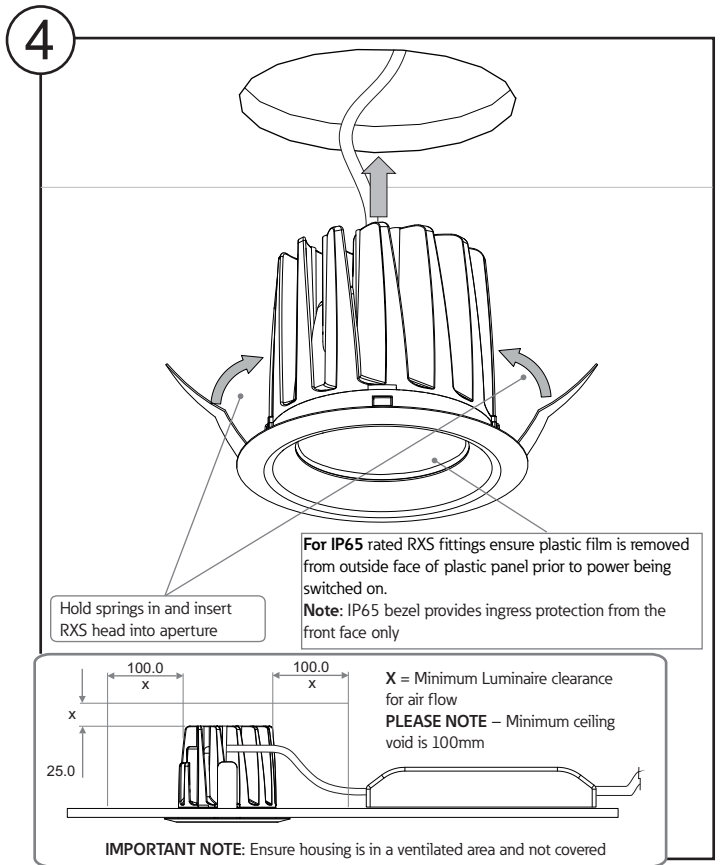
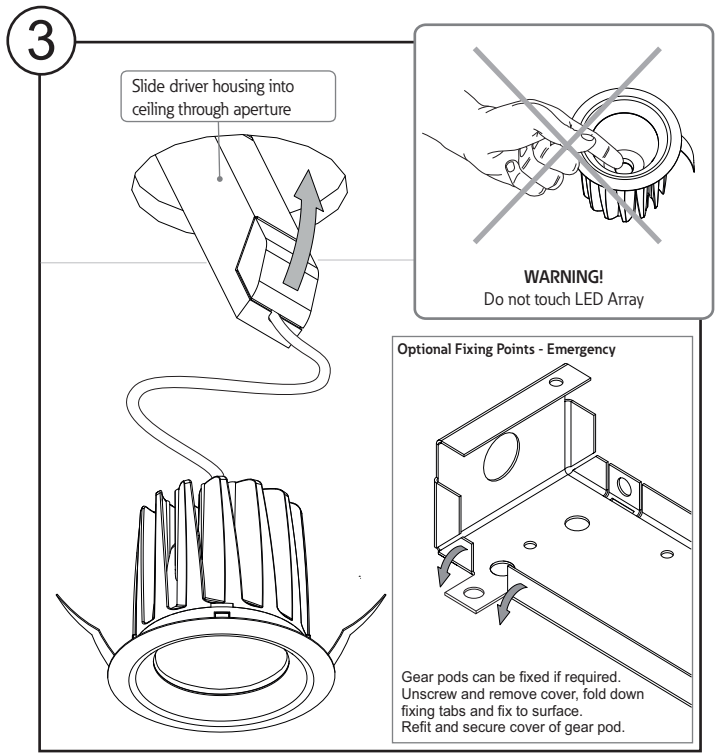
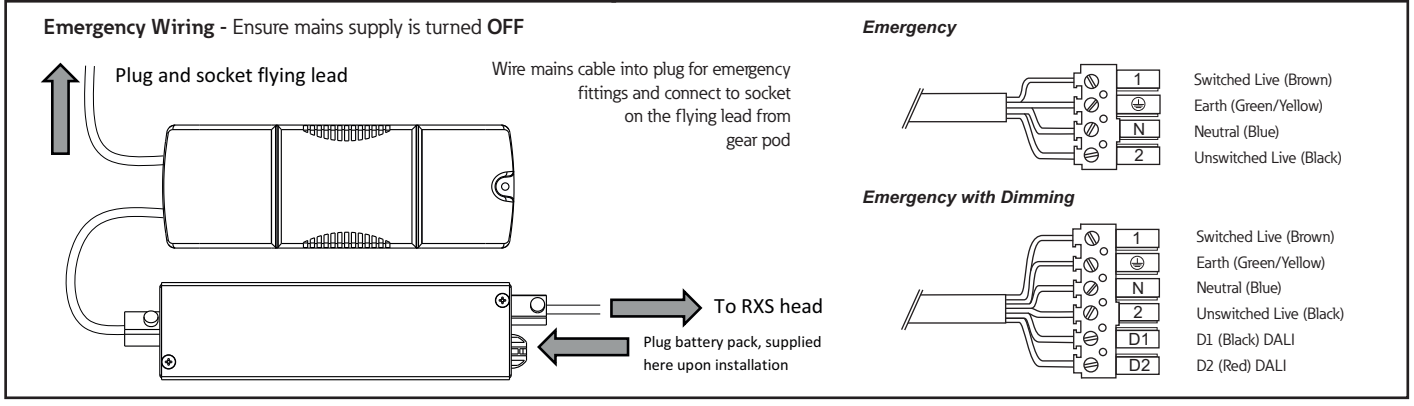
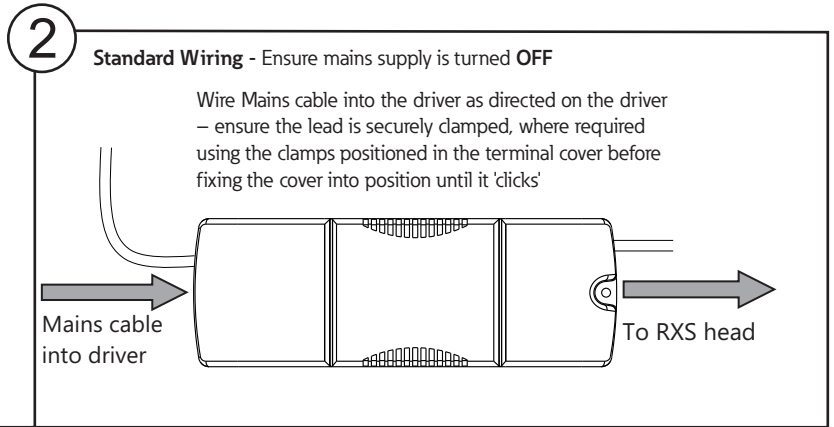
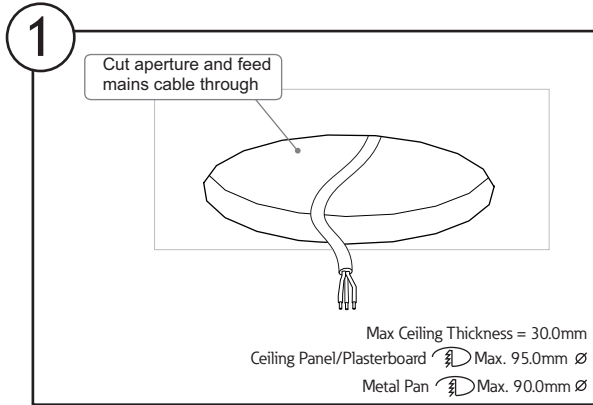
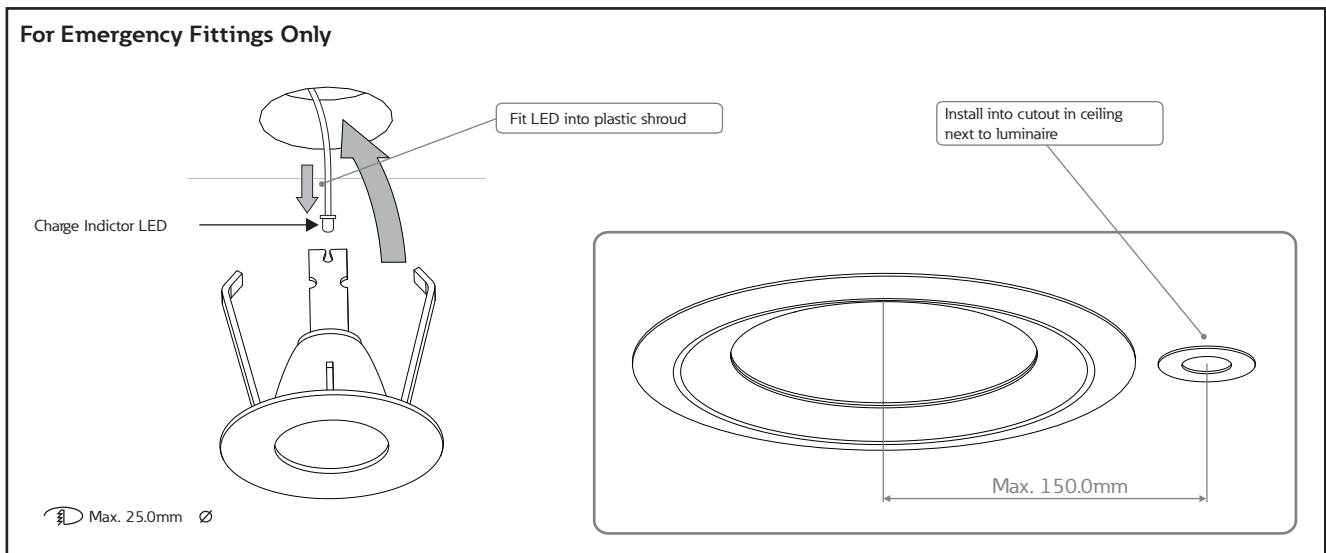


RXS3 - Small



- Product luminaires comply with EN60598 and are suitable for use in normal interior conditions.
- This luminaire has an ambient temperature range of -25°C to 25°C for the non-emergency version
- For Emergency variants - This luminaire has an ambient temperature range of 5°C to 25°C, to ensure the batteries work correctly





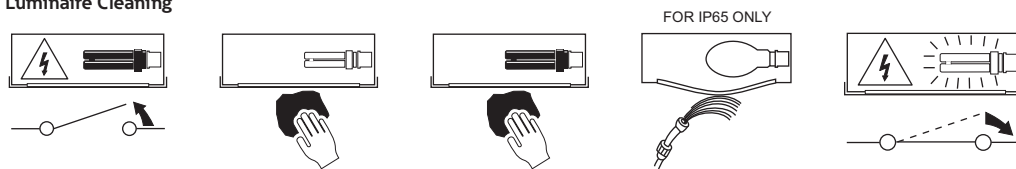
Safe Operation

1. Check the rating label for voltage and frequency before connecting this luminaire to the electrical supply.
2. Ensure that the mains supply is switched off when working on this luminaire, whether installing or carrying out any other servicing.
3. To prevent damage to driver, do not mix with conventional magnetic ballasts on the same electrical circuit.
4. Where use in more onerous situations is required, e.g. In part-completed buildings before "drying-out" is completed, or areas where ambient temperatures are outside the normal temperature range, then consult our Sales Office.

Servicing and Disposal

1. At commissioning and handing over of installation ensure that a copy of these instructions is presented to the authority responsible for the operation and maintenance of the luminaires.
2. Servicing, e.g. cleaning, must only be carried out after the electricity supply has been switched off. It must not be assumed that luminaires with lamps not lit are switched off-always check before servicing.
3. Cleaning should be carried out at regular intervals to ensure that dirt does not accumulate to an extent that will impair the thermal safety or optical performance of the luminaire. Regular cleaning will also ensure that the optical performance of the luminaires is maintained.
4. To clean IP65 front lens use a soft lint free cloth and mild detergent only.
5. Avoid touching the LED array surface. To clean - Blow surface with either dry air or nitrogen gas.
6. At the end of life the luminaire is classed as WEEE under directive 2002/96/EC and should be disposed of in accordance with local legislation.

Luminaire Cleaning



End of Life and Components Disposal

