

Penumbra



The Penumbra luminaire offers an energy saving alternative to traditional light sources for amenity area and perimeter lighting applications.

The multi-die LED arrays deliver a long 50,000 hour life and eliminates the need for lamp changes, minimising through life operating and maintenance costs.

A complex cutoff device keeps stray light to the minimum and helps provide a 'Darksky' environment and negates light trespass. The IP65 robust cast aluminium base and safety glass lens offer good impact resistance ideally suited to a variety of applications.

Installation is made simple with integrated features such as the side mount cable glands and rear BESA cable entry options.

- Robust aluminium construction for a long durable life
- Chromate coating - suitable for use in 'near marine' environments
- Low glare distribution from the directionally mounted LED array
- A shielded LED array means a very low upward light distribution. This helps towards 'dark sky' environments
- High lumen output from the energy efficient LED system
- Operating temperatures of -25°C to +40°C
- Not suitable for mounting as an uplighter

Light Engine and Control Gear Options

- High output, high efficacy COB chip sets optimised for demanding applications
- Energy efficient fixed output control gear as standard
- 4000°k Ra 80 LED array

Materials

- Body – Pressure die cast aluminium housing components. Chromate conversion coating with powder coat paint finish, RAL9005
- Lens – clear flat glass

Installation Notes

- Not suitable for mounting as an uplighter
- Complete with 20mm conduit entries and rear BESA type drill starts
- Emergency variants are fused as standard

Options

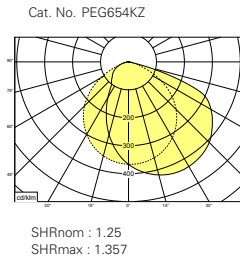
- Fully integral LED emergency conversion, 3 hour duration in Penumbra G variants
- We offer a range of product support contracts to aid commissioning, reduce your maintenance costs, comply with legislative test requirements and increase the lifespan of your lighting equipment

Specifications

- To specify state: Robust wall mounted LED luminaire, of full die cast aluminium construction, Chromate conversion coating with powder coat paint, RAL9005. Dust tight and water resistant to IP65. Asymmetric distribution with no upward light, as Eaton's Penumbra range part no _____



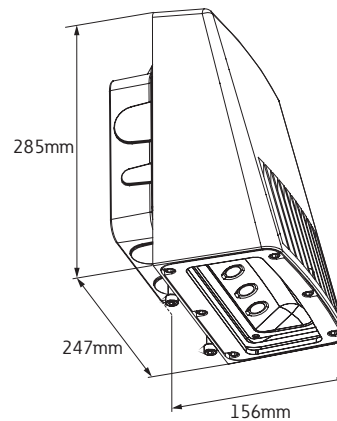
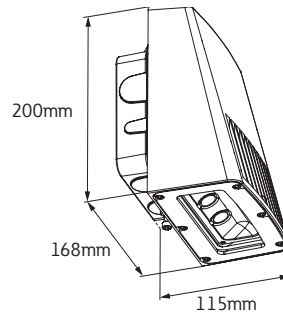
Photometric Data



Reflectances			Utilisation factors / TM5											
C	W	F	Room Index											
			0.75	1.0	1.25	1.5	2.0	2.5	3.0	4.0	5.0			
0.7	0.5	0.2	57	67	75	80	88	93	96	101	104			
0.7	0.3	0.2	49	60	67	73	82	87	92	97	100			
0.7	0.1	0.2	43	54	62	68	77	83	87	94	98			
0.5	0.5	0.2	55	65	72	78	85	89	93	97	100			
0.5	0.3	0.2	48	58	66	72	80	85	89	94	97			
0.5	0.1	0.2	43	53	61	67	75	81	85	91	94			
0.3	0.5	0.2	54	63	70	75	82	86	89	93	96			
0.3	0.3	0.2	47	57	65	70	77	82	86	91	94			
0.3	0.1	0.2	43	53	60	66	74	79	83	88	92			
0	0	0	40	50	57	63	70	75	79	84	87			
BZ-class			5	5	5	4	4	4	4	4	4			

See page 468 for design guide

Dimensions



Catalogue Numbers

Part number	Weight (kg)	Emergency part number	Weight (kg)	Description	Lumen output (lm)	Wattage	lIm/cW
Penumbra P							
PEP284KZ	1.9	-	-	Penumbra P 2800 lumen FO	2890	28.3	102.1
PEP284KZPC	2.0	-	-	Penumbra P 2800 lumen FO with integral Photocell	2890	28.3	102.1
PEP404KZ	2.1	-	-	Penumbra P 4000 lumen FO	3879	37.5	103.4
PEP404KZPC	2.2	-	-	Penumbra P 4000 lumen FO with integral Photocell	3879	37.5	103.4
Penumbra G							
PEG624KZ	4.3	EBPEG624KZ	5.1	Penumbra G 6200 lumen FO	6215	54.5	114.0
PEG624KZPC	4.4	EBPEG624KZPC	5.2	Penumbra G 6200 lumen FO with integral Photocell	6215	54.5	114.0

For further information, contact our Technical Support and Application department on 01302 303240 or email LightingTechnicalUK@eaton.com
lIm/cW = luminaire lumens per circuit watt

For more information on the installation requirements and product specifications, please visit our website: <https://uk.eaton.com/content/gb/en/products/product-catalog/penumbra-exterior-eaton.html>