

## Penumbra



The Penumbra luminaire offers an energy saving alternative to traditional light sources for amenity area and perimeter lighting applications.

The multi-die LED arrays deliver a long 50,000 hour life and eliminates the need for lamp changes, minimising through life operating and maintenance costs.

A complex cutoff device keeps stray light to the minimum and helps provide a 'Darksky' environment and negates light trespass. The IP65 robust cast aluminium base and safety glass lens offer good impact resistance ideally suited to a variety of applications.

Installation is made simple with integrated features such as the side mount cable glands and rear BESA cable entry options.

- Robust aluminium construction for a long durable life
- Chromate coating - suitable for use in 'near marine' environments
- Low glare distribution from the directionally mounted LED array
- A shielded LED array means a very low upward light distribution. This helps towards 'dark sky' environments
- High lumen output from the energy efficient LED system
- Operating temperatures of -25°C to +40°C
- Not suitable for mounting as an uplighter

#### Light Engine and Control Gear Options

- High output, high efficacy COB chip sets optimised for demanding applications
- Energy efficient fixed output control gear as standard
- 4000°k Ra 80 LED array

#### Materials

- Body – Pressure die cast aluminium housing components. Chromate conversion coating with powder coat paint finish, RAL9005
- Lens – clear flat glass

#### Installation Notes

- Not suitable for mounting as an uplighter
- Complete with 20mm conduit entries and rear BESA type drill starts
- Emergency variants are fused as standard

#### Options

- Fully integral LED emergency conversion, 3 hour duration in Penumbra G variants
- CGLine+ self-test emergency versions available, reducing maintenance costs and offering ease of compliance with testing requirements
- We offer a range of product support contracts to aid commissioning, reduce your maintenance costs, comply with legislative test requirements and increase the lifespan of your lighting equipment

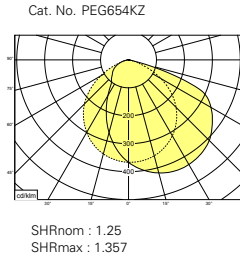
#### Specifications

- To specify state: Robust wall mounted LED luminaire, of full die cast aluminium construction, Chromate conversion coating with powder coat paint, RAL9005. Dust tight and water resistant to IP65. Asymmetric distribution with no upward light, as Eaton's Penumbra range part no \_\_\_\_\_



Integral Photocell option

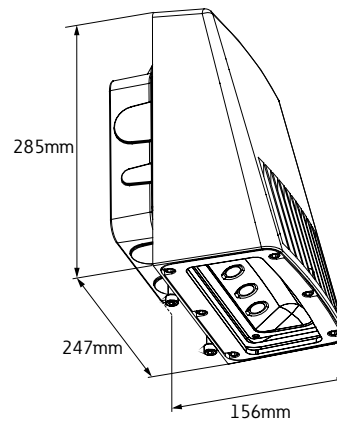
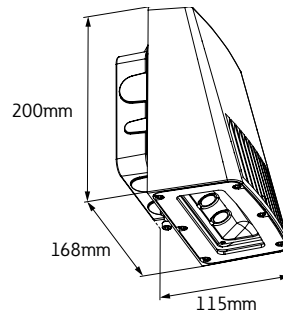
#### Photometric Data



Reflectances			Utilisation factors / TM5									
			Room Index									
C	W	F	0.75	1.0	1.25	1.5	2.0	2.5	3.0	4.0	5.0	
0.7	0.5	0.2	57	67	75	80	88	93	96	101	104	
0.7	0.3	0.2	49	60	67	73	82	87	92	97	100	
0.7	0.1	0.2	43	54	62	68	77	83	87	94	98	
0.5	0.5	0.2	55	65	72	78	85	89	93	97	100	
0.5	0.3	0.2	48	58	66	72	80	85	89	94	97	
0.5	0.1	0.2	43	53	61	67	75	81	85	91	94	
0.3	0.5	0.2	54	63	70	75	82	86	89	93	96	
0.3	0.3	0.2	47	57	65	70	77	82	86	91	94	
0.3	0.1	0.2	43	53	60	66	74	79	83	88	92	
0	0	0	40	50	57	63	70	75	79	84	87	
BZ-class			5	5	5	4	4	4	4	4	4	

See page 382 for design guide

#### Dimensions



#### Catalogue Numbers

Part number	Weight (kg)	Emergency part number	Weight (kg)	Description	Lumen output	Wattage	Llm/cW
Penumbra P							
PEP284KZ	1.9	-	-	Penumbra P 2800 lumen FO	2890	28.3	102.1
PEP284KZPC	2.0	-	-	Penumbra P 2800 lumen FO with integral Photocell	2890	28.3	102.1
PEP404KZ	2.1	-	-	Penumbra P 4000 lumen FO	3879	37.5	103.4
PEP404KZPC	2.2	-	-	Penumbra P 4000 lumen FO with integral Photocell	3879	37.5	103.4
Penumbra G							
PEG624KZ	4.3	EBPEG624KZ	5.1	Penumbra G 6200 lumen FO	6215	54.5	114.0
PEG624KZPC	4.4	EBPEG624KZPC	5.2	Penumbra G 6200 lumen FO with integral Photocell	6215	54.5	114.0

Emergency versions also available with automatic test functionality, e.g. CG Line+

For further information, contact our Technical Support and Application department on 01302 303240 or email [LightingTechnicalUK@eaton.com](mailto:LightingTechnicalUK@eaton.com)

For more information on the installation requirements and product specifications, please visit our website: <https://uk.eaton.com/content/gb/en/products/product-catalog/penumbra-exterior-eaton.html>