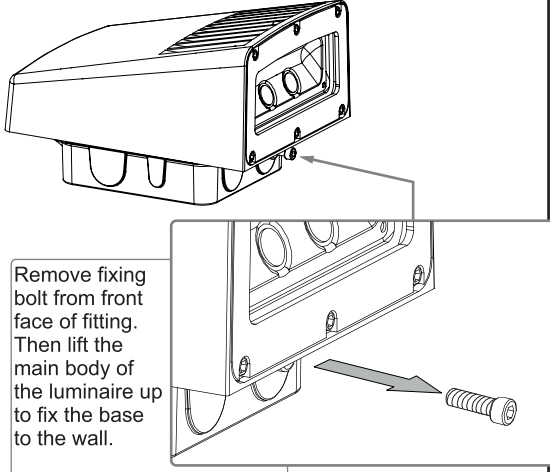


Penumbra

- Product luminaires comply with EN60598 and are suitable for use in normal interior conditions.
- This luminaire has an ambient temperature range of -25°C to 25°C for the non-emergency version
- For Emergency variants - This luminaire has an ambient temperature range of 5°C to 25°C, to ensure the batteries work correctly
- DO NOT HANDLE THE LUMINAIRE BY THE GLASS

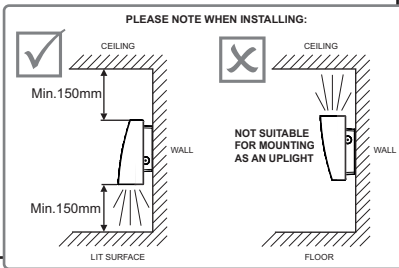
1 Gain Access



Remove fixing bolt from front face of fitting. Then lift the main body of the luminaire up to fix the base to the wall.

Note: There will be two fixing bolts on the large Penumbra

PLEASE NOTE WHEN INSTALLING:



Min. 150mm
Min. 150mm

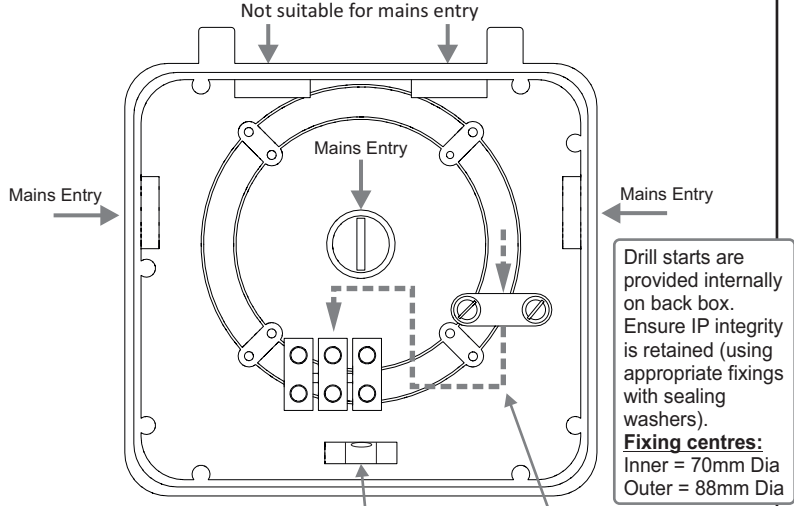
CEILING
WALL
LIT SURFACE

CEILING
WALL
FLOOR

NOT SUITABLE FOR MOUNTING AS AN UPLIGHT

2 Install

Note: For non-flat surfaces cable gland or plastic stopping plug must be installed in rear of fitting (install stopping plug from inside fitting). To maintain IP rating on flat surfaces install foam pad (supplied) to rear of back box.



Not suitable for mains entry

Mains Entry

Mains Entry

Mains Entry

Drill starts are provided internally on back box. Ensure IP integrity is retained (using appropriate fixings with sealing washers).
Fixing centres:
Inner = 70mm Dia
Outer = 88mm Dia

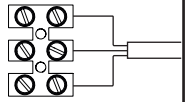
Use spirit level to ensure product sits square once fixed.

Ensure mains cable runs through cable restraint before reaching the terminal block.

Torque settings to ensure IP rating
Stopping Plugs – 1.5Nm
Cable gland to housing – 2.25Nm
Cable gland to cable – To full compression (NB: Cable Dia min 7.2mm max 9mm, ensure cable is perpendicular to gland for 50mm from gland).

3 Wiring

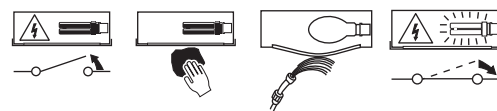
L - Brown (Switched) Live
⊕ - Green/Yellow (Earth)
N - Blue (Neutral)



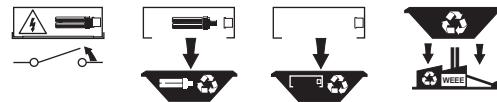
LUMINAIRE MUST BE EARTHED
LUMINAIRE MUST NOT BE MEGGAR OR HIGH VOLTAGE TESTED

Once wiring is complete close main body down (ensure wires are within back box and do not snag on seal) Tighten fixing bolt/s to 2Nm.

Luminaire Cleaning



End of Life and Components Disposal



Safe Operation

1. Check the rating label for voltage and frequency before connecting this luminaire to the electrical supply.
2. Ensure that the mains supply is switched off when working on this luminaire, whether installing or carrying out any other servicing.
3. To prevent damage to driver, do not mix with conventional magnetic ballasts on the same electrical circuit.
4. Where use in more onerous situations is required, e.g. in part-completed buildings before “drying-out” is completed, or areas where ambient temperatures are outside the normal temperature range, then consult our Sales Office.

Servicing and Disposal

1. At commissioning and handing over of installation ensure that a copy of these instructions is presented to the authority responsible for the operation and maintenance of the luminaires.
2. Servicing, e.g. cleaning, must only be carried out after the electricity supply has been switched off. It must not be assumed that luminaires with lamps not lit are switched off-always check before servicing.
3. Cleaning should be carried out at regular intervals to ensure that dirt does not accumulate to an extent that will impair the thermal safety or optical performance of the luminaire. Regular cleaning will also ensure that the optical performance of the luminaires is maintained.
4. At the end of life the luminaire is classed as WEEE under directive 2012/19/EU and should be disposed of in accordance with local legislation.