

Linergy LED



Eaton's commitment to supplying energy saving innovative products is the driving force behind Linergy LED. Linergy LED follows in the tradition of our highly efficient large space luminaires which have the performance and flexibility for today's multi-use, multi occupancy locations.

Offering both a range of lumen outputs and light distribution, Linergy LED variants can be used seamlessly alongside each other to give a complete solution in complex spaces.

High lumen outputs and corresponding class leading efficacies, when combined with occupancy and daylight sensors offer the real possibility of substantial energy savings for the end user.

Three light distribution models, wide area, narrow and rack, means the highest utilisation of light, where it is most effective.

- Excellent light transmission and LED source obscurity from opal diffuser
- Integral emergency available which allows mounting to a maximum height of 20m
- Low, mid and high bay integral programmable occupancy detector variants available to maximise performance and coverage
- DALI dimming options available for increased comfort, lighting control and energy savings
- Wire guard option for increased security in environments where impact resistance is needed

LED and Control Gear Options

- High efficacy linear LED light engines
- >80 CRI 4000K
- Energy efficient control gear as standard
- DALI dimmable options available

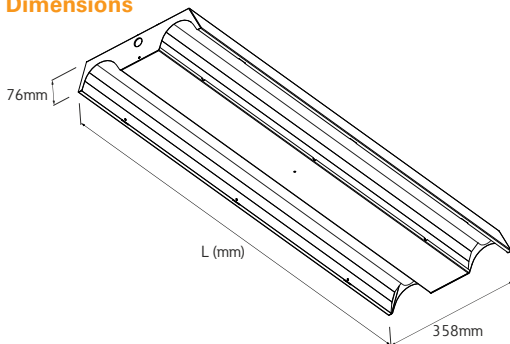
Materials

- Body – full box steel construction powder coated in RAL 9016 white finish
- Reflectors – faceted finish (wide area) and satin finish (Narrow and Rack) zero iridescence anodised aluminium
- Wire guard – heavy duty zinc plated steel, 25mm grid size

Installation Notes

- Suitable for ceiling, conduit, chain, rod and trunking mounting
- Optional quick fit mounting brackets for surface mounting (LNLMB)
- Supplied with diffuser and light engines pre-fitted, no need to remove during installation
- Access flap on the rear of housing to aid wiring during installation
- Fused as standard
- Wire guard is a retrofit accessory secured by screws, hangs for ease of maintenance. Please note, this is not suitable for the Linery High Rack

Dimensions



Nominal Length	Wide, Narrow, Rack Variants	High Rack Variants
1200mm	1142mm	1143mm
1800mm	1704mm	1713mm

Options

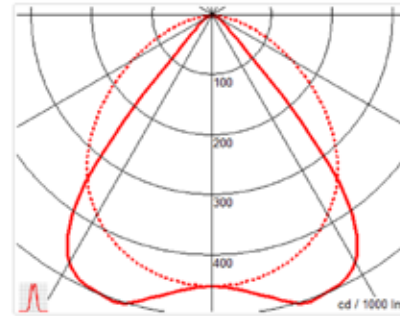
- Fully integral emergency conversion, 3 hour duration
- Emergency versions available with automatic test functionality as an option, reducing maintenance costs and offers ease of compliance with testing requirements
- Suitable for use on defined escape routes
- Wide area, narrow and rack reflector options provide efficient utilisation for specific applications
- Lighting control options including integrated occupancy and daylight detectors for mounting up to 16m
- We offer a range of product support contracts to aid commissioning, reduce your maintenance costs, comply with legislative test requirements and increase the lifespan of your lighting equipment

Specification

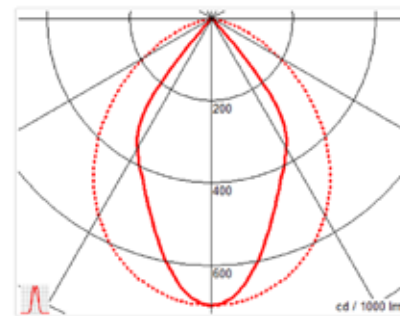
To specify state: Surface mounted, LED high/low bay luminaire, of full box welded construction with post coat powder paint finish, high performance faceted/satin reflectors for Wide Area/Narrow/Rack with high output light engines and integrated emergency sensor/wire guard options, as Eaton's Linery LED range, part no. _____

Photometric Data

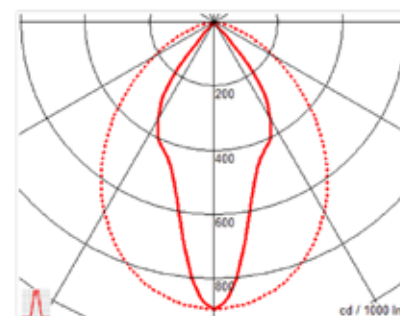
Cat. No. LNL1504KZ



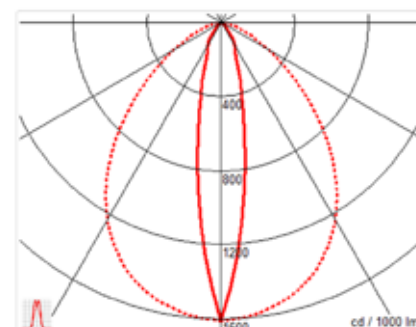
Cat. No. LNLN1504KZ



Cat. No. LNL1504KZ

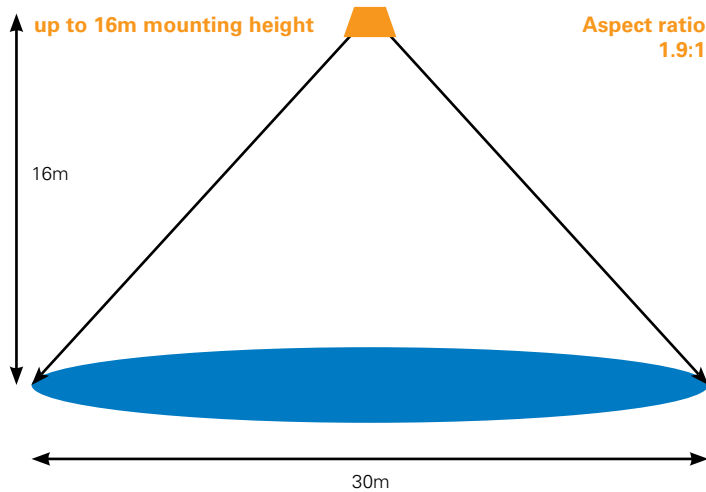
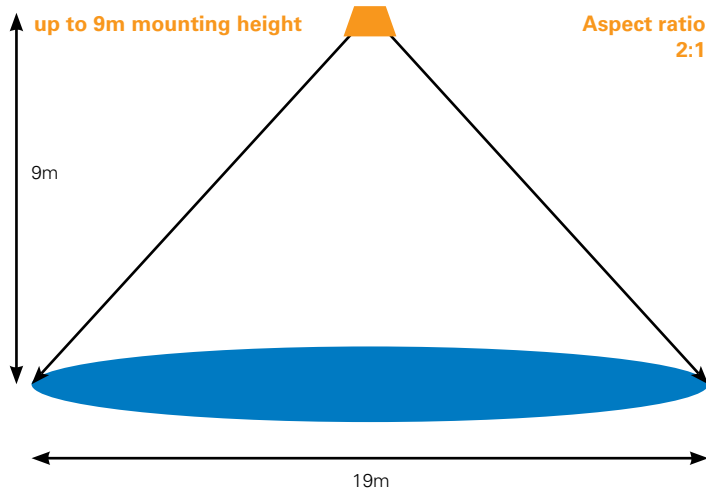
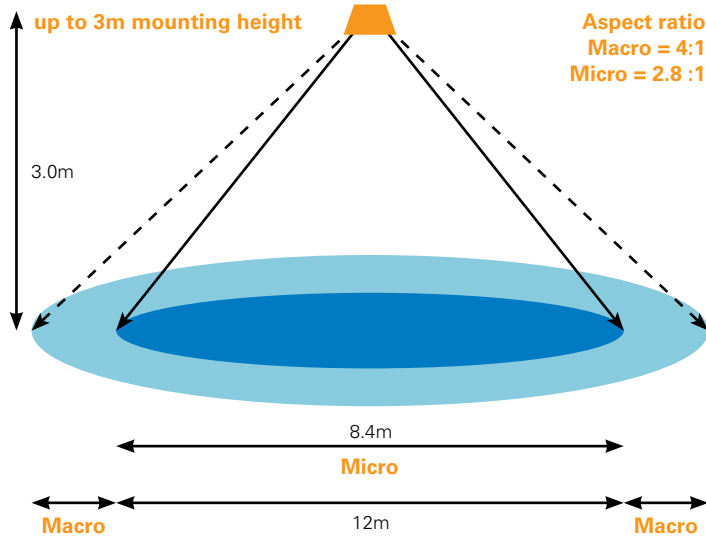


Cat. No. LNLHR1504KZ



Linery LED offers three standard options for PIR detection mounting heights. Up to 3 metres, 9 metres and 16 metres. The 3m detector boasts a high sensitivity micro detection range. The aspect ratios and coverage are shown on the diagrams to aid in scheme design.

5



Luminaire Efficacy

Variant	Lumen Output (lm)	Wattage (W)	Efficacy (lm/cW)
Wide Area			
LNLA1504KZ	16312	112.4	145.1
LNLA2254KZ	24886	168.8	147.4
LNLA3004KZ	30875	229.4	134.6
LNLA3504KZ	36170	295.4	122.2
Narrow			
LNLN1504KZ	16318	112.4	145.2
LNLN2254KZ	24967	168.7	148.0
LNLN3004KZ	30851	225.4	136.9
LNLN3504KZ	36644	297.5	123.2
Rack			
LNLR1504KZ	16491	112.5	146.6
LNLR2254KZ	25184	168.8	149.2
LNLR3004KZ	31058	225.6	137.7
LNLR3504KZ	37046	298.9	123.9
High Rack			
LNLHR1504KZ	15812	116.4	135.9
LNLHR2254KZ	24004	177.5	135.2
LNLHR3004KZ	29874	230.7	129.5
LNLHR3504KZ	37469	283.6	132.1

Accessories - Catalogue Numbers

Description	Catalogue numbers
Wire guard - 1200mm	LNLWG4
Wire guard - 1800mm	LNLWG6
Infrared user controller	LCSQC
Infrared programmer	LCSQS
Digital 2 way programmer	LCSQSP
Rear mounting brackets	LNLMB

Please note: The Linergy High Rack is not suitable for use with the Linergy Wire Guard. (LNLWG4 and LNLWG6).



Digital 2 way programmer



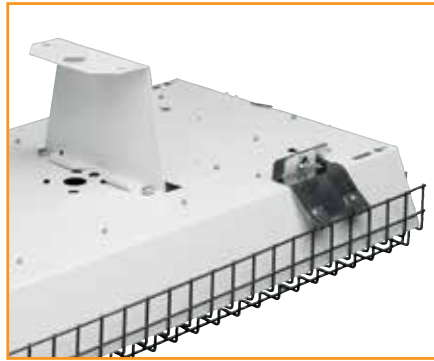
Infrared programmer



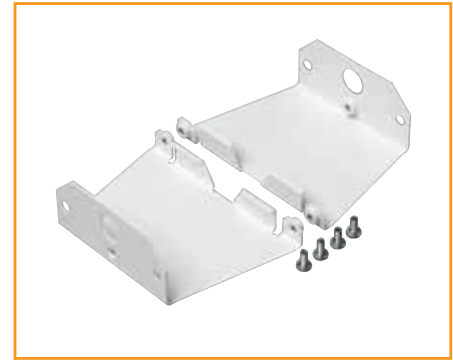
Infrared user controller



Wire guard



Mounting bracket detail



Rear mounting brackets

Catalogue Numbers

Nominal Length	Optic	Catalogue numbers	Weight (Kg)	Emergency catalogue numbers	Weight (Kg)
Standard Luminaires (Emergency versions up to 10m)					
1200mm	Wide Area Reflector	LNLA1504KZ	5.5	ELLNLA1504KZ	6.2
1800mm	Wide Area Reflector	LNLA2254KZ	8.1	ELLNLA2254KZ	9.0
1800mm	Wide Area Reflector	LNLA3004KZ	8.1	ELLNLA3004KZ	9.0
1800mm	Wide Area Reflector	LNLA3504KZ	8.1	ELLNLA3504KZ	9.0
1200mm	Narrow Reflector	LNLN1504KZ	5.5	ELLNLN1504KZ	6.2
1800mm	Narrow Reflector	LNLN2254KZ	8.1	ELLNLN2254KZ	9.0
1800mm	Narrow Reflector	LNLN3004KZ	8.1	ELLNLN3004KZ	9.0
1800mm	Narrow Reflector	LNLN3504KZ	8.1	ELLNLN3504KZ	9.0
1200mm	Rack Reflector	LNLNR1504KZ	5.7	ELLNLR1504KZ	6.4
1800mm	Rack Reflector	LNLNR2254KZ	8.2	ELLNLR2254KZ	9.1
1800mm	Rack Reflector	LNLNR3004KZ	8.1	ELLNLR3004KZ	9.0
1800mm	Rack Reflector	LNLNR3504KZ	8.1	ELLNLR3504KZ	9.0
1200mm	High Rack Reflector	LNLHR1504KZ	6.6	ELLNLHR1504KZ	7.3
1800mm	High Rack Reflector	LNLHR2254KZ	10.3	ELLNLHR2254KZ	11.0
1800mm	High Rack Reflector	LNLHR3004KZ	10.3	ELLNLHR3004KZ	11.0
1800mm	High Rack Reflector	LNLHR3504KZ	10.3	ELLNLHR3504KZ	11.0
Emergency Luminaire - for mounting heights up to 20m					
1200mm	Wide Area Reflector	-	-	ELHLNLA1504KZ	6.2
1800mm	Wide Area Reflector	-	-	ELHLNLA2254KZ	9.0
1800mm	Wide Area Reflector	-	-	ELHLNLA3004KZ	9.0
1800mm	Wide Area Reflector	-	-	ELHLNLA3504KZ	9.0
1200mm	Narrow Reflector	-	-	ELHLNLN1504KZ	6.2
1800mm	Narrow Reflector	-	-	ELHLNLN2254KZ	9.0
1800mm	Narrow Reflector	-	-	ELHLNLN3004KZ	9.0
1800mm	Narrow Reflector	-	-	ELHLNLN3504KZ	9.0
1200mm	Rack Reflector	-	-	ELHLNLR1504KZ	6.4
1800mm	Rack Reflector	-	-	ELHLNLR2254KZ	9.1
1800mm	Rack Reflector	-	-	ELHLNLR3004KZ	9.0
1800mm	Rack Reflector	-	-	ELHLNLR3504KZ	9.0
1200mm	High Rack Reflector	-	-	ELHLNLN1504KZ	7.3
1800mm	High Rack Reflector	-	-	ELHLNLN2254KZ	11.0
1800mm	High Rack Reflector	-	-	ELHLNLN3004KZ	11.0
1800mm	High Rack Reflector	-	-	ELHLNLN3504KZ	11.0

Luminaire with switching low level sensor (up to 3m mounting height)					
1200mm	Wide Area Reflector	CLNLA1504KZ	5.7	ELCLNLA1504KZ	6.4
1800mm	Wide Area Reflector	CLNLA2254KZ	8.5	ELCLNLA2254KZ	9.4
1200mm	Narrow Reflector	CLNLN1504KZ	5.7	ELCLNLN1504KZ	6.4
1800mm	Narrow Reflector	CLNLN2254KZ	8.5	ELCLNLN2254KZ	9.4
1200mm	Rack Reflector	CLNLR1504KZ	5.9	ELCLNLR1504KZ	6.6
1800mm	Rack Reflector	CLNLR2254KZ	8.6	ELCLNLR2254KZ	9.5
1200mm	High Rack Reflector	CLNLHR1504KZ	6.8	ELCLNLHR1504KZ	7.5
1800mm	High Rack Reflector	CLNLHR2254KZ	10.7	ELCLNLHR2254KZ	11.4
1800mm	High Rack Reflector	CLNLHR3004KZ	10.7	ELCLNLHR3004KZ	11.4
1800mm	High Rack Reflector	CLNLHR3504KZ	10.7	ELCLNLHR3504KZ	11.4

Luminaire with switching medium level sensor (up to 9m mounting height)					
1200mm	Wide Area Reflector	MLNLA1504KZ	5.7	ELMLNLA1504KZ	6.4
1800mm	Wide Area Reflector	MLNLA2254KZ	8.5	ELMLNLA2254KZ	9.4
1800mm	Wide Area Reflector	MLNLA3004KZ	8.5	ELMLNLA3004KZ	9.4
1800mm	Wide Area Reflector	MLNLA3504KZ	8.5	ELMLNLA3504KZ	9.4
1200mm	Narrow Reflector	MLNLN1504KZ	5.7	ELMLNLN1504KZ	6.4
1800mm	Narrow Reflector	MLNLN2254KZ	8.5	ELMLNLN2254KZ	9.4
1800mm	Narrow Reflector	MLNLN3004KZ	8.5	ELMLNLN3004KZ	9.4
1800mm	Narrow Reflector	MLNLN3504KZ	8.5	ELMLNLN3504KZ	9.4
1200mm	Rack Reflector	MLNLR1504KZ	5.9	ELMLNLR1504KZ	6.6
1800mm	Rack Reflector	MLNLR2254KZ	8.6	ELMLNLR2254KZ	9.5
1800mm	Rack Reflector	MLNLR3004KZ	8.5	ELMLNLR3004KZ	9.4
1800mm	Rack Reflector	MLNLR3504KZ	8.5	ELMLNLR3504KZ	9.4
1200mm	High Rack Reflector	MLNLHR1504KZ	7.07	ELMLNLHR1504KZ	7.8
1800mm	High Rack Reflector	MLNLHR2254KZ	10.7	ELMLNLHR2254KZ	11.4
1800mm	High Rack Reflector	MLNLHR3004KZ	10.7	ELMLNLHR3004KZ	11.4
1800mm	High Rack Reflector	MLNLHR3504KZ	10.7	ELMLNLHR3504KZ	11.4

Luminaire with switching high level sensor (up to 16m mounting height)					
1200mm	Wide Area Reflector	ULNLA1504KZ	5.7	ELHULNLA1504KZ	6.4
1800mm	Wide Area Reflector	ULNLA2254KZ	8.5	ELHULNLA2254KZ	9.4
1800mm	Wide Area Reflector	ULNLA3004KZ	8.5	ELHULNLA3004KZ	9.4
1800mm	Wide Area Reflector	ULNLA3504KZ	8.5	ELHULNLA3504KZ	9.4
1200mm	Narrow Reflector	ULNLN1504KZ	5.7	ELHULNLN1504KZ	6.4
1800mm	Narrow Reflector	ULNLN2254KZ	8.5	ELHULNLN2254KZ	9.4
1800mm	Narrow Reflector	ULNLN3004KZ	8.5	ELHULNLN3004KZ	9.4
1800mm	Narrow Reflector	ULNLN3504KZ	8.5	ELHULNLN3504KZ	9.4
1200mm	Rack Reflector	ULNLR1504KZ	5.9	ELHULNLR1504KZ	6.6
1800mm	Rack Reflector	ULNLR2254KZ	8.6	ELHULNLR2254KZ	9.5
1800mm	Rack Reflector	ULNLR3004KZ	8.5	ELHULNLR3004KZ	9.4
1800mm	Rack Reflector	ULNLR3504KZ	8.5	ELHULNLR3504KZ	9.4
1200mm	High Rack Reflector	ULNLHR1504KZ	7.1	ELULNLHR1504KZ	10.7
1800mm	High Rack Reflector	ULNLHR2254KZ	10.7	ELULNLHR2254KZ	11.4
1800mm	High Rack Reflector	ULNLHR3004KZ	10.7	ELULNLHR3004KZ	11.4
1800mm	High Rack Reflector	ULNLHR3504KZ	10.7	ELULNLHR3504KZ	11.4

For luminaire with switching low level (<3mtrs) sensor at a prefix of "C" e.g. LNLA1504KZ becomes CLNLA1504KZ

For luminaire with switching medium level sensor (3-9mtrs) at a prefix of "M" e.g. LNLA1504KZ becomes MLNLA1504KZ

For luminaire with switching high level sensor (9-18mtrs) at a prefix of "U" e.g. LNLA1504KZ becomes ULNLA1504KZ

For DALI dimming please add a suffix of "DD" removing the Z from the end of the part number e.g. LNLA1504KZ becomes LNLA1504KDD

For more information on the installation requirements and product specifications, please visit our website: <https://uk.eaton.com/content/gb/en/products/product-catalog/linergy-led-high-bay-industrial-lighting.html>