

LED Low Bay



Narrow louvered option

The Eaton LED Low Bay is a highly efficient direct replacement for existing 250W and 400W metal halide/HID Low Bays.

Designed for general warehouse and factory usage, the Eaton LED Low Bay delivers exceptional energy savings and uniformity of light distribution.

The narrow louvered option provides additional control when needed and the compact and robust steel construction with plug and play connector facilitates ease of installation.

- Nominal 15000, 22000 and 35000 Lumen option
- +150Llm/cW – class leading luminaire efficiency
- -25°C to +50°C extended operating temperature – suitable for a wide range of applications
- Narrow louvered option for optimal control
- Integral emergency option – lower costs with reduced requirement for separate EM installation
- Sensor options – Control via PIR, occupancy and daylight sensing
- DALI Dimming – allows for control of light levels to maximise savings
- Rapid install – plug and play connector

LED and Control Gear

- High efficacy linear LED light engines
- >80 CRI 4000°K
- Energy efficient control gear as standard
- DALI dimmable options available

Materials

- Body – Full box steel construction powder coated in RAL 9016 white finish
- Gear tray – Aluminium RAL9005
- Reflectors – Faceted finish zero iridescence anodised aluminium

Installation Notes

- Suitable for rod, chain and canalis suspension strap
- Trunking mounting available via BESA bracket, available as an accessory
- Rapid install Plug and Play panel mounted connector
- Fused as standard

Options

- Nominal lumens and wattage*
 - 15000 lumens, 97W
 - 22000 lumens, 146W
 - 35000 lumens, 249W
 - Fixed output or DALI LED driver
 - Emergency, fully integrated
 - 3 hour duration
 - Fully integrated PIR sensor module options for presence, occupancy and daylight control – detection height up to 12m
 - Sensor programmed via Digital 2 way programmer – LCSQSP
- *Lumen values differ for the narrow louvred option, see table below for specific values.

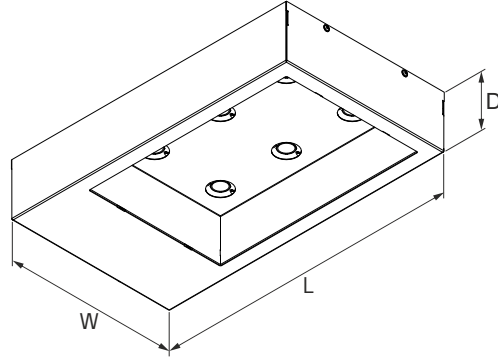
Specification

To specify state: Eaton LED Low Bay luminaire. High output high efficacy 4000K Ra 80 LED chip with high efficiency fixed output or DALI LED driver as standard with plug and socket connection, as Eaton's LED Low Bay, part no: _____

Dimensions

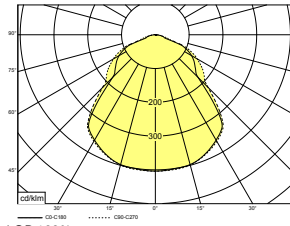
Model	Length (L, mm)	Width (W, mm)	Depth (D, mm)
15,000lm	493	283	93*
22,000lm	493	283	93*
35,000lm	611	283	93*

* For PIR and/or Emergency versions add 18.0mm to the overall depth



Photometric Data

Area Plots - LLBA1504KZ

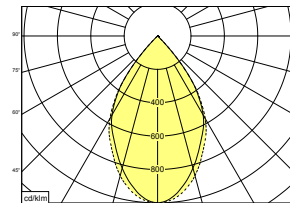


LOR 100%
SHRnom : 1.25
SHRmax : 1.447

Utilisation factors / TM5

Reflectances			Room index								
C	W	F	0.75	1	1.25	1.5	2	2.5	3	4	5
0.7	0.5	0.2	63	73	80	85	92	96	99	103	105
0.7	0.3	0.2	56	66	73	79	86	91	95	99	102
0.7	0.1	0.2	50	61	68	74	82	87	91	96	100
0.5	0.5	0.2	61	71	78	82	88	93	95	99	101
0.5	0.3	0.2	55	65	72	77	84	89	92	96	99
0.5	0.1	0.2	50	60	68	73	80	85	89	94	97
0.3	0.5	0.2	60	69	75	80	86	89	92	95	98
0.3	0.3	0.2	54	64	71	75	82	86	89	93	96
0.3	0.1	0.2	50	60	67	72	79	83	87	91	94
0	0	0	48	57	64	69	75	80	83	87	89
BZ-class			3	3	3	3	3	3	3	3	3

Narrow Plots - LLBLGN1504KZ



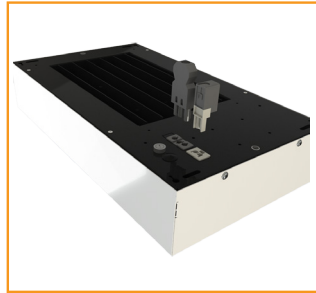
LOR 100%
SHRnom : 1.00
SHRmax : 1.127

Utilisation factors / TM5

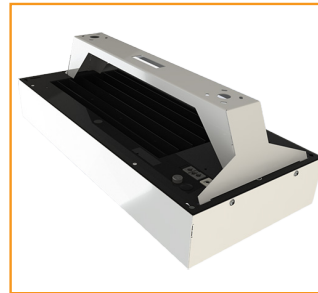
Reflectances			Room index								
C	W	F	0.75	1	1.25	1.5	2	2.5	3	4	5
0.7	0.5	0.2	82	90	94	97	102	104	106	108	110
0.7	0.3	0.2	77	85	90	93	98	101	103	106	108
0.7	0.1	0.2	74	82	87	90	95	99	101	104	106
0.5	0.5	0.2	81	88	92	95	99	101	103	105	106
0.5	0.3	0.2	77	84	89	92	96	99	101	103	104
0.5	0.1	0.2	73	81	86	89	94	97	99	101	103
0.3	0.5	0.2	80	86	90	93	96	98	100	101	102
0.3	0.3	0.2	76	83	87	90	94	96	98	100	101
0.3	0.1	0.2	73	80	85	88	92	95	96	99	100
0	0	0	71	78	83	85	89	91	93	94	95
BZ-class			1	1	1	1	1	1	1	1	1



LED Low Bay with Integrated EM and Sensor options



Rear face with plug n play mains and DALI connector solution (supplied)



LED Low Bay with mounting bracket option

Catalogue Numbers

Family	Description	Cat No.	Lumens (Lms)	Circuit Watts (W)	Luminaire Efficacy (Lm/cW)	Length (mm)	Width (mm)	Depth (mm)	Weight (Kg)	Colour Temperature (K)
LED Low Bay	15K Area FO	LLBA1504KZ	14859	97	153	493	283	93	3.13	4000
LED Low Bay	22K Area FO	LLBA2254KZ	21945	146	151	493	283	93	3.41	4000
LED Low Bay	35K Area FO	LLBA3504KZ	35978	249	145	611	283	93	4.11	4000
LED Low Bay Low Glare	Low Glare 15K Narrow FO	LLBLGN1504KZ	14063	97	145	493	282	93	3.05	4000
LED Low Bay Low Glare	Low Glare 22K Narrow FO	LLBLGN2254KZ	20604	146	141	493	282	93	3.18	4000
LED Low Bay Low Glare	Low Glare 35K Narrow FO	LLBLGN3504KZ	33779	249	136	611	282	93	4.07	4000
LED Low Bay	Rear mounting bracket - Small	LLBMBS				482		107	0.72	
LED Low Bay	Rear mounting bracket - Large	LLBMBL				600		107	0.83	
LED Low Bay	Digital 2 way programmer	LCSQSP								

For Emergency option add EL in front of catalogue number, e.g. - LLBA1504KZ becomes ELLBA1504KZ

For DALI dimming option, replace catalogue number character Z with DD, e.g. LLBA1504KZ becomes LLBA1504KDD

For Sensor option add S in front of catalogue number e.g. - LLBA1504KZ becomes SLLBA1504KZ

* For PIR and/or Emergency versions add 18.0mm to the overall depth

For further information contact our technical support and application department on 01302 303240 or email LightingTechnicalUK@Eaton.com

For more information on the installation requirements and product specifications, please visit our website