

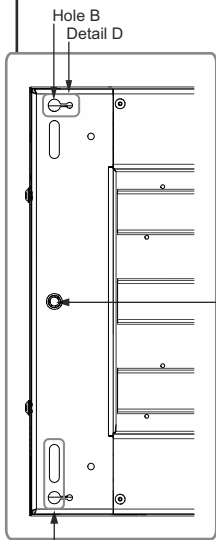


LED Low Bay

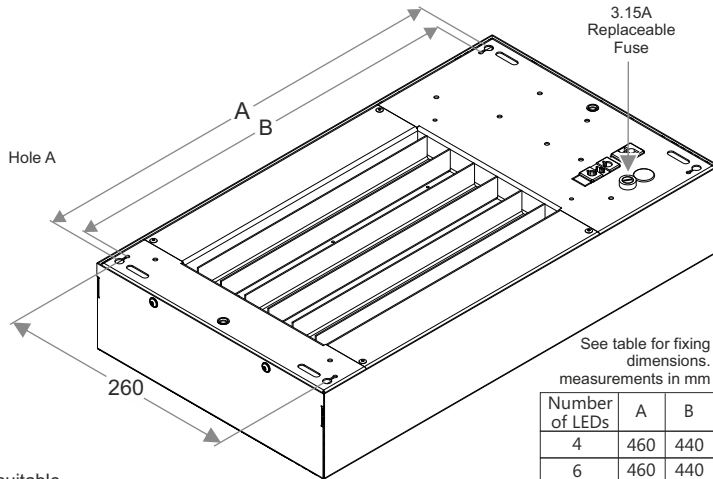
- Product luminaires comply with EN60598 and are suitable for use in normal interior conditions.
- This luminaire has an ambient temperature range of -25°C to 50°C for the non-emergency version
- This luminaire has an ambient temperature range of 5°C to 25°C for the emergency version

Fixing Methods

Detailed view of rear of fitting



- a** Fix luminaire top section using one of the following methods:
- 1) Hole A, for use with M6 screw and canalis suspension strap
 - 2) Hole B, 9.6 Dia, for use with M8 threaded drop rods
 - 3) Cluster C, comprising slot and 9.6 dia holes, for use with chain and chain 's' hooks.
 - 4) Detail D for use with suspension kit (not supplied).



See table for fixing dimensions. measurements in mm

Number of LEDs	A	B
4	460	440
6	460	440
8	578	558

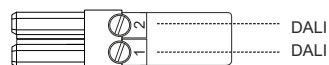
NOTE: This fitting is not suitable for surface mounting

Wiring

Mains/Emergency - Supplied (3/4-pole connector)



DALI Connector - Supplied (if present next to mains connector)



* Mains terminal '1' may be marked as 'L' on a 3 pole connector

- Ensure mains supply is turned OFF
- LUMINAIRE MUST BE EARTHED
- Luminaires must NOT be megger or high voltage tested

Bracket Install

Number of LEDs	A
4	280
6	280
8	400

Secure bracket using the points on the BESA entry.

Once the bracket has been secured, hook the luminaire onto the bracket using the slots at either end. Lift the fitting up to the other end of the bracket and secure with screw (supplied).

Safe Operation

1. Check the rating label for voltage and frequency before connecting this luminaire to the electrical supply.
2. Ensure that the mains supply is switched off when working on this luminaire, whether installing or carrying out any other servicing.
3. Do not mount luminaire on or close to readily flammable materials.
4. To prevent damage to driver, do not mix with conventional magnetic ballasts on the same electrical circuit.
5. Where use in more onerous situations is required, e.g. In part-completed buildings before "drying-out" is completed, or areas where ambient temperatures are outside the normal temperature range, then consult our Sales Office.

Servicing and Disposal

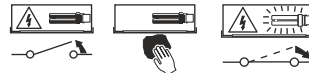
1. At commissioning and handing over of installation ensure that a copy of these instructions is presented to the authority responsible for the operation and maintenance of the luminaires.
2. Servicing to be carried out by authorised Eaton personnel. Mains to be switched off and the luminaire removed down to ground/bench level/safe working height.
Service Personnel: Avoid touching LED array surface. To clean - blow surface with either dry air or nitrogen gas.
3. Cleaning should be carried out at regular intervals to ensure that dirt does not accumulate to an extent that will impair the thermal safety or optical performance of the luminaire. Regular cleaning will also ensure that the optical performance of the luminaires is maintained.
4. At the end of life the luminaire is classed as WEEE under directive 2012/19/EU and should be disposed of in accordance with local legislation.

Note: The LED's in this fitting are non-replaceable.

Luminaire Service



Luminaire Cleaning



End of Life and Components Disposal

