

1 Leat



Leat is the latest linear LED lighting system from Eaton. With an innovative uniform construction, clean minimalist lines and high efficiency, Leat provides a new alternative for conventional general lighting applications and to emphasize spaces. Simple installation is a key benefit, thanks to the positive coupled connector system which ensures tight true lines are achieved.

Available in an Opaline acrylic diffuser gives an evenly lit appearance across the whole face.

Emergency operation is integral to 1 metre variants as an option, making for a seamless visual integration.

- Suitable for recessed, surface and suspended applications
- High efficacies of up to 122 Llm/cW which exceeds the requirements of UK Building Regulations: Part L and Section 6 (Scotland)
- Three preset lumen output options per length – total design freedom
- Close colour tolerance: MacAdam 3 SDCM
- 3 hour maintained emergency versions available in the 1 metre modules
- Ideal for stand alone and continuous applications

Construction

Body

- The strength and accuracy of Leat comes from the precision manufacture of its extruded body. For continuous installation, the dedicated three axis coupled connector system ensures no deviation about the X, Y and Z axis.
- Continuous and standalone models use the same channelled extrusion, reducing complexity and allowing for a coordinated look to a space where mixed applications are required.

Ceiling integration

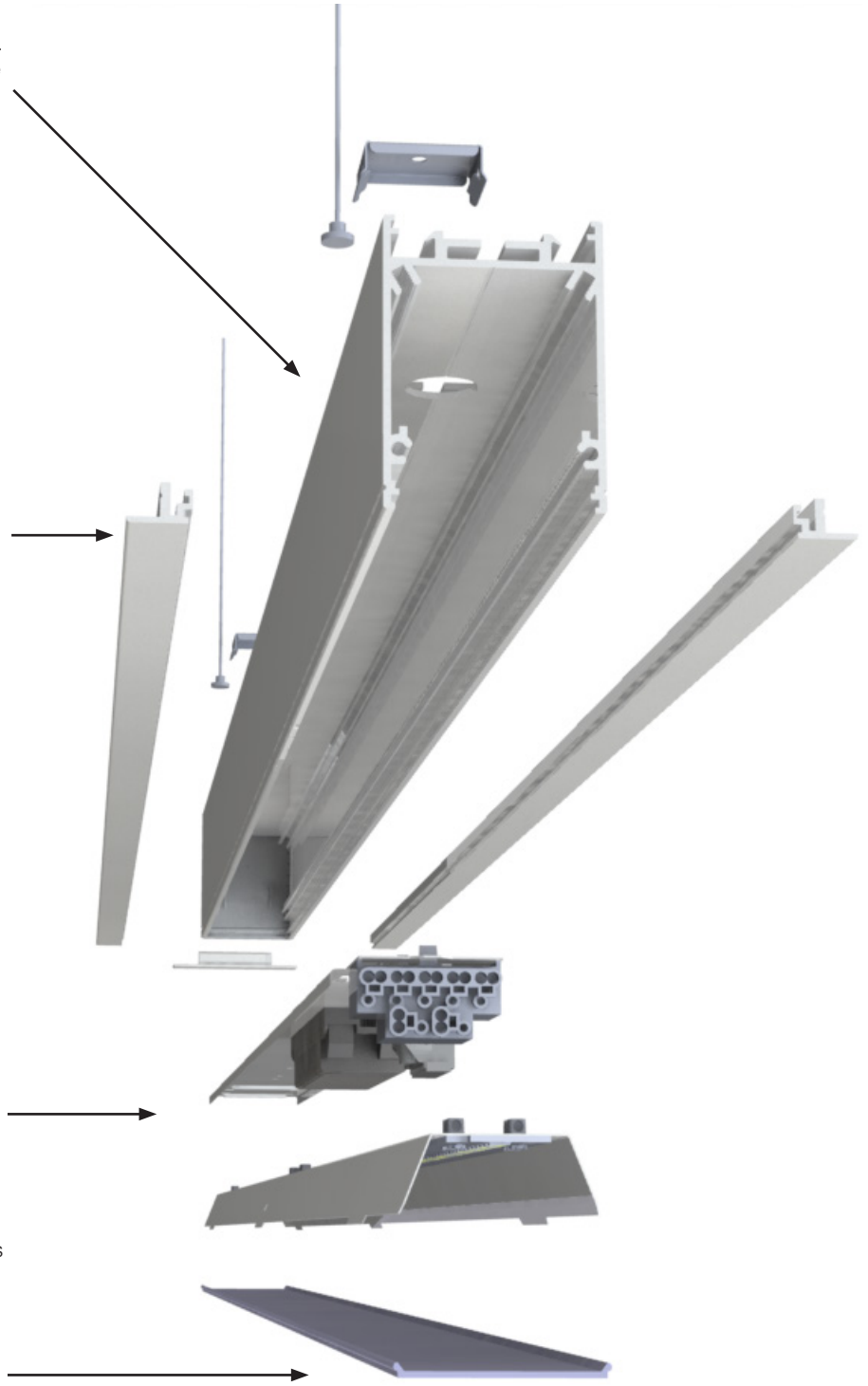
- For recessing applications where a defined edge is required, the trim kits provide a simple solution. Available in up to 3 metre lengths, it can provide a seamless finish.
- Solid ceilings and plasterboard finishes are accommodated with dedicated fixing brackets.

LED and Drivers

- Dedicated PCB's designed exclusively for Leat give a closely defined continuous light effect, negating the 'dark spot' joint effect in conventional systems. Continuous variants include through wiring for simple and positive interconnection.
- A choice of three outputs per length allow for total design freedom and precise lighting effect, matched to the installations environment.
- Continuous runs should not mix outputs as this may lead to a variance in perceived luminance between sections.

Diffuser

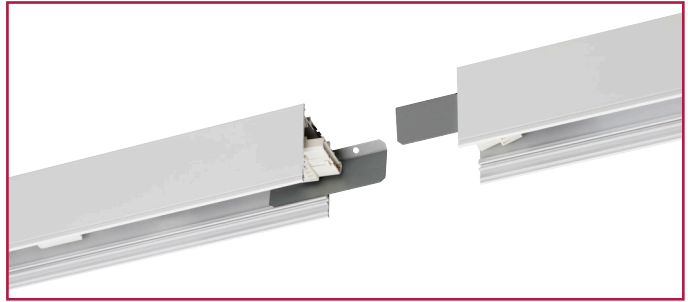
- The flexible Polycarbonate diffuser is available to suit preset lengths of 1 metre, 1.5 metre, 2 metre and 3 metre to suit use in continuous type installations. In addition a 10 metre continuous roll is available to give a truly seamless lit effect over long runs.
- Standalone models come complete with diffusers and end caps fitted.



1 Construction

Leat continuous is simple to install, a coupled connector aligns sections accurately and consistently to create a precision installation. With the flexibility to have installations with incremental lengths of 500mm, Leat gives uniform lighting realization for many applications.

1. Insert coupled connector plates



2. Join sections together and secure coupled connector plates



3. Insert integrated gear trays and connect electrically



4. Install diffuser



Installation Options

Recessed



Surface



Suspended



Suspended kit

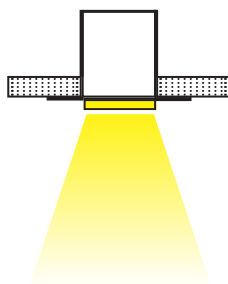


Design freedom

- Leat is available in a choice of three lumen outputs per unit length, allowing for the most energy efficient choices to be made within the design process. All Leat models are also available with DALI control gear to offer ultimate light volume and effect in the control of the space.
- The three output settings are designed to allow multiple length selections to be made on one or series of configurations. Each maintain the same lumen output per metre, giving a uniform effect and appearance across the array.

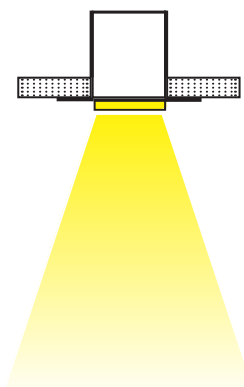
Low Output

≈ 1500 Lumen / Linear metre



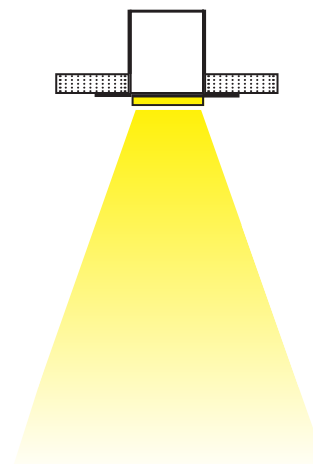
Medium Output

≈ 2200 Lumen / Linear metre



High Output

≈ 3000 Lumen / Linear metre



Performance

	Part No.	Length	Lumen output (lm)	Wattage (W)	Efficacy (Llm/cW)
Low output	LEAC10154KZ	1000	1531	12.9	118.7
	LEAC15224KZ	1500	2382	21.4	111.3
	LEAC20304KZ	2000	3152	26.7	118.1
	LEAC30454KZ	3000	4811	39.4	122.1
Medium output	LEAC10224KZ	1000	2297	19.6	117.2
	LEAC15334KZ	1500	3331	29.6	112.5
	LEAC20444KZ	2000	4432	38.9	113.9
	LEAC30664KZ	3000	6760	58.2	116.2
High output	LEAC10304KZ	1000	3033	26.7	113.6
	LEAC15454KZ	1500	4584	42.9	106.9
	LEAC20604KZ	2000	6035	54.6	110.5
	LEAC30904KZ	3000	9211	81.4	113.2

Note: Continuous runs should not mix outputs as this may lead to a variance in perceived luminance between sections.

1 Light Engine and Control Gear Options

- High output, high efficacy LED chip set optimised for recessed panel options
- Close pitched PCB ensures homogenous continuous effect
- Energy efficient fixed output control gear as standard
- Dimming option - DALI

Materials

- Body – Aluminium extrusion coated in RAL9016 - 60% gloss finish
- Diffuser optic - Polycarbonate UV stable Opaline high transmission flexible diffuser
- Internal reflector – Steel construction, powder coated in RAL9016 white finish its provide a simple solution. Available in up to 3 metre lengths, it can provide a seamless finish.
- Solid ceilings and plasterboard finishes are accommodated with dedicated fixing brackets.

Installation Notes

- Suitable for recessed, surface and suspended applications
- Suitable for exposed 'T' ceilings using the trim accessories, stand alone and continuous applications
- Appropriate for Plasterboard and solid ceilings using the accessories
- Suitable for installation in pendant applications using the suspension accessories
- Emergency variants are fused as standard

Options

- Fully integral LED emergency conversion, 3 hour duration
- CGLine+ self-test emergency versions available, reducing maintenance costs and offering ease of compliance with testing requirements
- We offer a range of product support contracts to aid commissioning, reduce your maintenance costs, comply with legislative test requirements and increase the lifespan of your lighting equipment

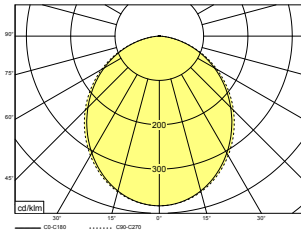
Specification

To specify state: Modular back-lit LED luminaire, of aluminium extrusion construction with post coat powder paint, RAL9016 finish, for lay-in installations, solid ceilings and other applications with Opaline Polycarbonate high transmission diffuser and high efficiency LED modules. LED emergency option via integral conversion as Eaton's Leat range part no

For more information on the installation requirements and product specifications, please visit our website: <https://uk.eaton.com/content/gb/en/products/product-catalog/Leat-recessed-LED-ceiling-lights.html>

Photometric Data

Cat no: LEAC20444KZ.LDT



SHRnom : 1.25 SHRmax : 1.401

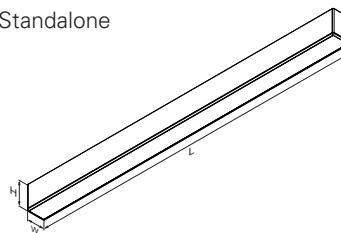
Utilisation factors / TM5

Reflectances			Room index								
C	W	F	0.75	1	1.25	1.5	2	2.5	3	4	5
0.7	0.5	0.2	58	68	75	81	88	93	96	101	104
0.7	0.3	0.2	50	61	68	74	82	87	91	97	100
0.7	0.1	0.2	45	55	63	69	77	83	87	93	97
0.5	0.5	0.2	56	66	73	78	85	89	93	97	99
0.5	0.3	0.2	49	59	67	72	80	85	89	94	97
0.5	0.1	0.2	44	54	62	67	75	81	85	91	94
0.3	0.5	0.2	55	64	71	75	82	86	89	93	96
0.3	0.3	0.2	49	58	65	71	78	82	86	90	93
0.3	0.1	0.2	44	54	61	66	74	79	83	88	91
0	0	0	42	51	58	63	71	75	79	84	87
BZ-class			5	4	4	4	4	4	4	4	4

See page 468 for design guide

Dimensions

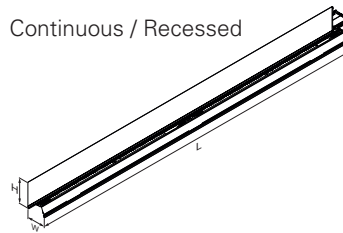
Standalone



Recessed Trim



Continuous / Recessed



	L (mm)	H (mm)	W (mm)
Standalone			
1000	1006	75	55
1500	1506	75	55
2000	2006	75	55
3000	3006	75	55
Recessed Trim			
1000	1030	80	79
1500	1530	80	79
2000	2030	80	79
3000	3030	80	79
Continuous			
1000	1000	1000	55
1500	1500	1500	55
2000	2000	2000	55
3000	3000	3000	55

Catalogue Numbers

1

		Part No.	Description	Weight (Kg)	
Continuous	Continuous Fixed Output				
		<i>Low output</i>	LEAC10154KZ	Leat Continuous 1 metre, 1500lm Fixed Output	2.51
			LEAC15224KZ	Leat Continuous 1.5 metre, 2200lm Fixed Output	3.64
			LEAC20304KZ	Leat Continuous 2 metre, 3000lm Fixed Output	4.69
			LEAC30454KZ	Leat Continuous 3 metre, 4500lm Fixed Output	6.80
			ELLEAC10154KZ	Leat Continuous 1 metre, 1500lm Fixed Output Emergency variant	2.80
		<i>Medium output</i>	LEAC10224KZ	Leat Continuous 1 metre, 2200lm Fixed Output	2.51
			LEAC15334KZ	Leat Continuous 1.5 metre, 3300lm Fixed Output	3.64
			LEAC20444KZ	Leat Continuous 2 metre, 4400lm Fixed Output	4.69
			LEAC30664KZ	Leat Continuous 3 metre, 6600lm Fixed Output	6.80
			ELLEAC10224KZ	Leat Continuous 1 metre, 2200lm Fixed Output Emergency variant	2.80
		<i>High output</i>	LEAC10304KZ	Leat Continuous 1 metre, 3000lm Fixed Output	2.51
			LEAC15454KZ	Leat Continuous 1.5 metre, 4500lm Fixed Output	3.64
			LEAC20604KZ	Leat Continuous 2 metre, 6000lm Fixed Output	4.69
			LEAC30904KZ	Leat Continuous 3 metre, 9000lm Fixed Output	6.80
			ELLEAC10304KZ	Leat Continuous 1 metre, 3000lm Fixed Output Emergency variant	2.80
		Continuous DALI	For DALI Dimming option replace the character Z with DD, e.g. LEAC10304KZ becomes LEAC10304KDD		
		Diffusers for Continuous modules	LEAOP10	Leat Continuous diffuser 1 metre	0.10
			LEAOP15	Leat Continuous diffuser 1.5 metre	0.15
			LEAOP20	Leat Continuous diffuser 2 metre	0.20
			LEAOP30	Leat Continuous diffuser 3 metre	0.30
			LEAOP50	Leat Continuous diffuser 5 metre	0.50
			LEAOP100	Leat Continuous diffuser 10 metre	1.00
			LEAOP200	Leat Continuous diffuser 20 metre	2.18
			LEAOP300	Leat Continuous diffuser 30 metre	3.27
			LEAOP400	Leat Continuous diffuser 40 metre	4.36
			LEAOP500	Leat Continuous diffuser 50 metre	5.45
		Recessing frame	LEARE10	Recessing frame side rail kit 1 metre - set of 2	0.32
			LEARE15	Recessing frame side rail kit 1.5 metre - set of 2	0.47
			LEARE20	Recessing frame side rail kit 2 metre - set of 2	0.63
			LEARE30	Recessing frame side rail kit 3 metre - set of 2	0.95
			LEAREETK	Recessing frame end trim kit - set of 2	0.02
			LEAPL10	Leat Recessed Mounting Bracket 1m	0.45
			LEAPL15	Leat Recessed Mounting Bracket 1.5m	0.45
			LEAPL20	Leat Recessed Mounting Bracket 2m	0.45
			LEAPL30	Leat Recessed Mounting Bracket 3m	0.68
Standalone	Standalone Fixed Output				
		<i>Low output</i>	LEAS10154KZ	Leat Standalone 1 metre, 1500lm Fixed Output	2.46
			LEAS15224KZ	Leat Standalone 1.5 metre, 2200lm Fixed Output	3.48
			LEAS20304KZ	Leat Standalone 2 metre, 3000lm Fixed Output	4.51
			LEAS30454KZ	Leat Standalone 3 metre, 4500lm Fixed Output	6.56
			ELLEAS10154KZ	Leat Standalone 1 metre, 1500lm Fixed Output Emergency variant	2.75
		<i>Medium output</i>	LEAS10224KZ	Leat Standalone 1 metre, 2200lm Fixed Output	2.46
			LEAS15334KZ	Leat Standalone 1.5 metre, 3300lm Fixed Output	3.48
			LEAS20444KZ	Leat Standalone 2 metre, 4400lm Fixed Output	4.51
			LEAS30664KZ	Leat Standalone 3 metre, 6600lm Fixed Output	6.56
			ELLEAS10224KZ	Leat Standalone 1 metre, 2200lm Fixed Output Emergency variant	2.75
		<i>High output</i>	LEAS10304KZ	Leat Standalone 1 metre, 3000lm Fixed Output	2.46
			LEAS15454KZ	Leat Standalone 1.5 metre, 4500lm Fixed Output	3.48
			LEAS20604KZ	Leat Standalone 2 metre, 6000lm Fixed Output	4.51
			LEAS30904KZ	Leat Standalone 3 metre, 9000lm Fixed Output	6.56
			ELLEAS10304KZ	Leat Standalone 1 metre, 3000lm Fixed Output Emergency variant	2.75
		Standalone DALI	For DALI Dimming option replace the character Z with DD, e.g. LEAS10304KZ becomes LEAS10304KDD		

1 Accessories

Part No.	Description	Weight (Kg)
LEAEC	Leat End Caps - set of 2	0.02
LEA15SU	Leat Suspension 1.5 metre - set of 2	0.09
LEA50SU	Leat Suspension 5 metre - set of 2	0.15
LEAMC	Leat Surface Mounting clips - set of 2	0.01
LEADEKR	Leat Diffuser expansion kit - Recessed	0.10
LEADEKS	Leat Diffuser expansion kit - Surface / Suspended	0.25

Leat Corners

Leat Corners are the latest accessory for the Leat luminaire, providing the option to create an elegant decorative feature. Available with an attractive design on the face of the corner or a minimalistic diffuser appearance, the corners provide a seamless aesthetic for any corner. Each corner is sold separately.

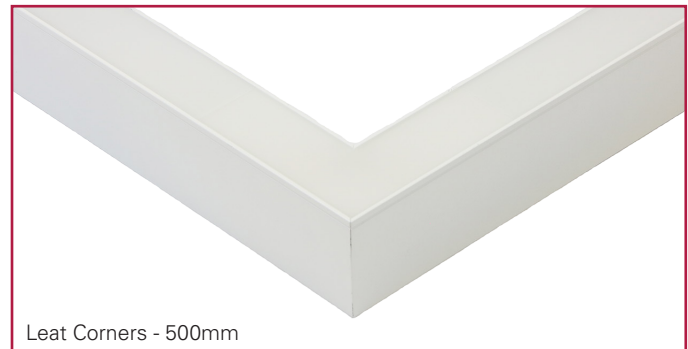
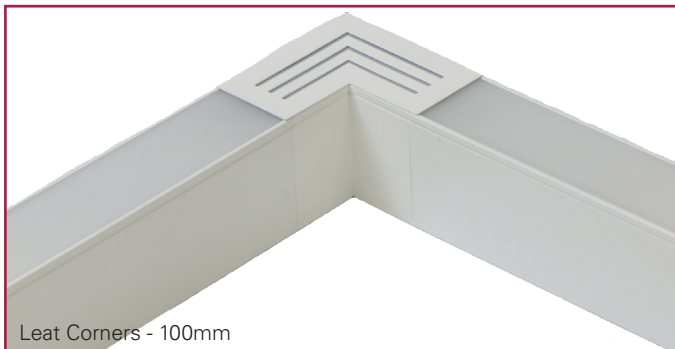
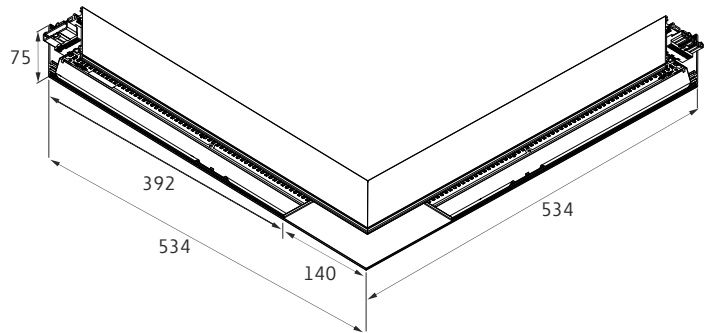
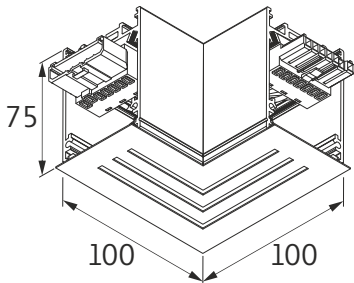
Leat Corners 100mm

Part No.	Description	Weight (Kg)
LEA90CP	Leat Corner, 100mm, 90 degrees with line design	0.48

Leat Corners 500mm

Part No.	Description	Weight (Kg)
LEA90CL10154KZ	Leat Corner, 534x534mm, 90 degree, 1500lm 4k FO, diffuser design	2.51
LEA90CL10224KZ	Leat Corner, 534x534mm, 90 degree, 2200lm 4k FO, diffuser design	2.51
LEA90CL10304KZ	Leat Corner, 534x534mm, 90 degree, 3000lm 4k FO, diffuser design	2.51
LEA90CL10154KDD	Leat Corner, 534x534mm, 90 degree, 1500lm 4k DD, diffuser design	2.51
LEA90CL10224KDD	Leat Corner, 534x534mm, 90 degree, 2200lm 4k DD, diffuser design	2.51
LEA90CL10304KDD	Leat Corner, 534x534mm, 90 degree, 3000lm 4k DD, diffuser design	2.51

Leat Corners - Dimensions



Leat Corners



Each corner is sold separately.

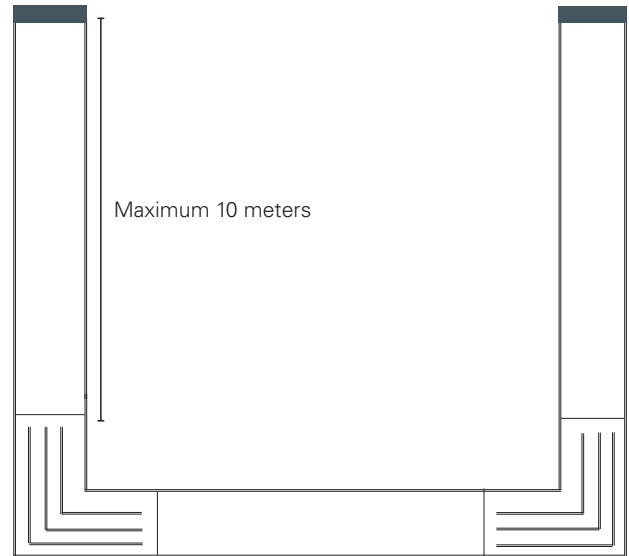
Maximum length of 10 meters of any one side.

Please note in an 'L' configuration using 'LEADEKS', a maximum length of 25 meters per side can be used.

For a guide to trimming the diffuser, please refer to the installation guide.

Please note, the maximum length restrictions are the same for both the 100mm and 500mm versions in the configuration shown.

Leat Corners - Configuration



Leat Corners - L Configuration

