

Laserline 2



The Laserline 2 suspended luminaire system offers sleek, clean lines providing a lighting solution designed to blend in with modern interiors and architecture.

Laserline 2 can be specified as stand alone luminaires or as a continuous system for linear runs with a simple plug and play connection system.

With the latest in microprism control and direct/indirect light Laserline 2 is well suited for office and commercial applications providing the ideal solution to meet today's energy efficiency and lighting design requirements without compromising aesthetics.

- Superb optical performance delivering high glare control to assist with BS EN 12464-1 compliance across all variants
- Ideal for continuous or standalone applications
- Four lumen outputs in both 1200mm and 1500mm nominal length variants
- Direct/Indirect light distribution – 80%/20%
- RAL 9006 Silver-grey or RAL9016 white finish to suit a variety of applications and décor
- Infill panels available for continuous runs
- Adjustable suspension, via simple clutch mechanism, makes installation quick and easy (2x LL21500SK required per fitting, sold separately)
- Integral 3 hour emergency options available with dedicated optics to optimise emergency lighting spacing
- DALI dimming and built in controls options available
- Fantastic efficacy of up to 124 Llm/cW

Lamp and Control Gear Options

- High efficacy linear LED light engines
- >80CRI, 4000°K
- DALI dimmable options available

Materials

- Body – Folded steel - RAL 9016 white finish/RAL9006 Silver-grey
- Diffuser – Acrylic microprism (TP(b)) and dispersal diffusive film combination

Installation Notes

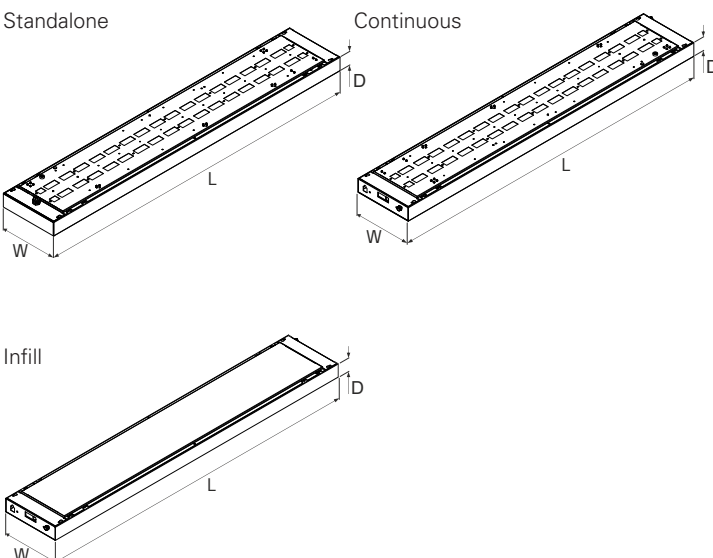
- Suitable for ceiling mounting using the defined suspension kits (2x LL21500SK required per fitting, sold separately)
- Fitted with quick fix male and female socket on a pre-wired loom for rapid installation (continuous versions)
- Supplied with diffuser and light engines pre-fitted, no need to remove during installation
- Piano key terminal block with 2 x 2.5mm² wire capacity per termination (Standalone version)

Options

- Two nominal luminaire lengths – 1200mm and 1500mm
- Four lumen outputs per length
- 1200mm and 1500mm (nominal length) infill panels available
- Fully integral 3 hour duration emergency option
- Emergency versions available as automatic and addressable test functionality available to special order, reducing maintenance costs and offering ease of compliance with testing requirements
- Lighting control options including integrated occupancy and daylight detectors

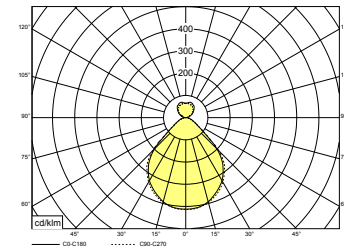
Dimensions

Version	(L) Length	(W) Width	(D) Depth
1200mm Stand Alone	1280	226	61
1500mm Stand Alone	1580	226	61
1200mm Continuous	1280	226	61
1500mm Continuous	1580	226	61
1200mm Infill Section	1280	226	61
1500mm Infill Section	1580	226	61



Photometric Data

Cat. No: LL2WS12604Z



LOR 100 %
Tilt angle 0.0 °
SHRnom: 1.25
SHRmax: 1.356

Utilisation factors

Reflectances			Room index								
C	W	F	0.75	1	1.25	1.5	2	2.5	3	4	5
0.7	0.5	0.2	62	71	77	81	87	91	93	97	99
0.7	0.3	0.2	56	65	71	76	82	87	90	94	96
0.7	0.1	0.2	51	60	67	71	78	83	86	91	94
0.5	0.5	0.2	59	67	72	76	81	84	86	89	91
0.5	0.3	0.2	53	62	67	71	77	81	83	87	89
0.5	0.1	0.2	49	58	64	68	74	78	81	85	87
0.3	0.5	0.2	55	63	67	71	75	78	80	82	84
0.3	0.3	0.2	51	59	64	67	72	75	78	81	82
0.3	0.1	0.2	48	55	61	64	70	73	76	79	81
0	0	0	44	51	55	59	63	66	68	70	72
BZ-class			2	2	2	2	2	2	2	2	2

Performance

Cat No.	Lumen Output	Wattage	LI/cW
LL2WS12284Z	2800	22.5	124
LL2WS12374Z	3700	30.5	121
LL2WS12444Z	4400	37	119
LL2WS12604Z	6000	55	110
LL2WS15274Z	2700	22	123
LL2WS15444Z	4400	37	118
LL2WS15584Z	5800	51.5	112
LL2WS15734Z	7300	70	105

Specification

To specify state: Suspended stand alone/continuous, luminaire system, folded steel construction with post coat powder paint finish. Superb optical performance delivering high glare control to assist with BS EN 12464-1 compliance across all variants. High performance direct/indirect distribution with high output light engines with third party approved drivers and integrated emergency/sensor options, as per Eaton's Laserline 2 range

Catalogue Numbers

Variant Length	Cat No.	Weight (Kg)	Emergency Cat No.	Weight (Kg)
Stand alone luminaires (White finish)				
1200mm	LL2WS12284Z	5.52	ELLL2WS12284Z	5.9
1200mm	LL2WS12374Z	5.52	ELLL2WS12374Z	5.9
1200mm	LL2WS12444Z	5.52	ELLL2WS12444Z	5.9
1200mm	LL2WS12604Z	5.52	ELLL2WS12604Z	5.9
1500mm	LL2WS15274Z	7.23	ELLL2WS15274Z	7.43
1500mm	LL2WS15444Z	7.23	ELLL2WS15444Z	7.43
1500mm	LL2WS15584Z	7.23	ELLL2WS15584Z	7.43
1500mm	LL2WS15734Z	7.23	ELLL2WS15734Z	7.43
Continuous luminaires (White finish)				
1200mm	LL2WC12284Z	5.94	ELLL2WC12284Z	6.32
1200mm	LL2WC12374Z	5.94	ELLL2WC12374Z	6.32
1200mm	LL2WC12444Z	5.94	ELLL2WC12444Z	6.32
1200mm	LL2WC12604Z	5.94	ELLL2WC12604Z	6.32
1500mm	LL2WC15274Z	6.81	ELLL2WC15274Z	7.36
1500mm	LL2WC15444Z	6.81	ELLL2WC15444Z	7.36
1500mm	LL2WC15584Z	6.81	ELLL2WC15584Z	7.36
1500mm	LL2WC15734Z	6.81	ELLL2WC15734Z	7.36
Infill Section (White finish)				
1200mm	LL2WC12DS	4.65		
1500mm	LL2WC15DS	5.67		

For DALI dimming option, replace part number character Z with DD, e.g. LL2WS12274Z becomes LL2WS12274DD

For Sensor option add the characters ISM, e.g. LL2WS12444Z becomes ISMLL2WS12444Z

For Silver-grey finish – RAL 9006 – replace part number character W with S, e.g. LL2WS12274Z becomes LL2SS12274Z

Accessories

Description	CatNo.	Weight (Kg)
Laserline 2 start/end kit - White	LL2WSEK	0.61
Laserline 2 start/end kit - Silver	LL2SSEK	0.61
Laserline 2 Single suspension wire - 1500mm	LL21500SK	0.043

