

Kachina

2



Kachina is a new way of thinking for suspended lighting applications. Designed solely to maximise the performance of the latest generation of LED light sources, Kachina offers a leap in performance from conventional solutions.

A versatile system approach allows the designer maximum benefits from a multitude of arrangement possibilities.

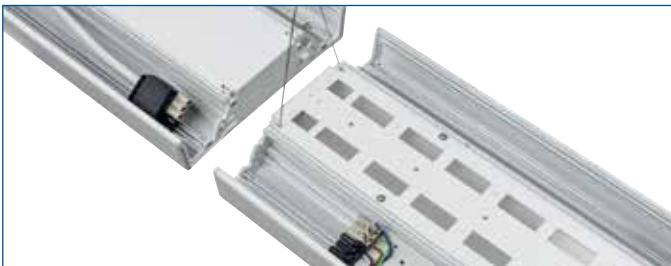
Its connected design and flexibility make compliant lighting design possible even in the most challenging situations. A dedicated wiring channel adds to the possibilities to incorporate data, control and fire cabling to minimise installation time and complexity.

Kachina is tuned for the right balance between up and downlighting components to ensure well lit, balanced and inviting spaces.

- Prime utilisation of LED light source technology allows for an energy efficient product, up to 114 Llm/cW
- 3000 cd/m² models for EN12464-1 compliance
- Available in two colour options - RAL 9016 white finish, and RAL 9006 silver finish
- Three lumen outputs per variant, two variant lengths - 1200mm and 1500mm
- Auxiliary cable channel, 25cm² capacity
- DALI dimming options available for increased lighting control
- 5 year warranty as standard



Continuous configuration



Pre-wired for connectivity (continuous variants)



Through wiring channel

Kachina can be connected to produce linear runs where needed. Connection flexibility of luminaires in a continuous run or a combination of luminaires and dedicated infill sections allow the lighting designer complete control and creativity. All continuous components contain pre-wired through wiring, either 4 or 6 core dependant on the variant.

Specifically designed to allow the designer and planner the ability to centre luminaires at exactly 3000mm to match building grid lines and to aid in the subdivision of floorplates. This also reduces the need for special cut lengths, speeding up and simplifying both design and installation.

A dedicated through wiring channel with a capacity of 25cm² further enhances the performance.

Suitable for a multitude of cabling applications, Kachina offers a clean and neat containment capability.

Note - subject to a maximum weight of cable of 5kg per section, a counterweight accessory is available to order when appropriate.

Light Engine and Control Gear

- High efficacy linear LED light engines
- >80 CRI 4000°K
- Energy efficient fixed output control gear as standard
- DALI dimmable options available

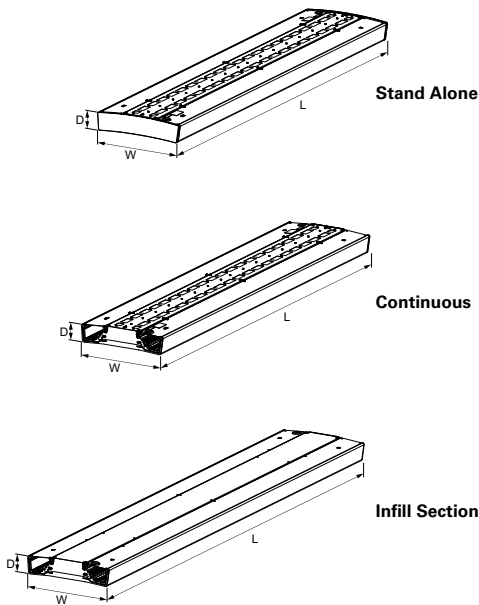
Materials

- Body – aluminium extrusion and steel - RAL 9016 white finish (RAL 9006 silver version available)
- Diffuser – acrylic microprism and dispersal diffuser combination

Installation Notes

- Suitable for ceiling mounting using the defined suspension kits
- Fitted with quick fix male and female socket for rapid installation (continuous versions)
- Supplied with diffuser and light engines pre-fitted, no need to remove during installation
- Fused as standard
- Supplied with 1.5m flexible cable 4C/6C (stand alone versions)

Dimensions



Version	(L) Length	(W) Width	(D) Depth
1200 Stand Alone	1191	292	68
1500 Stand Alone	1491	292	68
1200 Continuous	1176	292	68
1500 Continuous	1476	292	68
1500 Infill Section	1524	292	68
1800 Infill Section	1824	292	68

Options

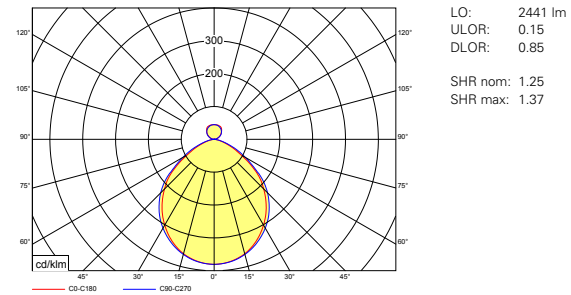
- Two luminaire lengths – 1200mm and 1500mm
- Three lumen outputs per luminaire length
- Fully integral emergency conversion, 3 hour duration
- Emergency versions available with automatic test functionality available to special order, reducing maintenance costs and offering ease of compliance with testing requirements
- Suitable for use on defined escape routes
- Lighting control and emergency management options including integrated occupancy and daylight detectors

Specification

To specify state: Suspended single / continuous, luminaire system, extruded aluminium construction with post coat powder paint finish, high performance up down distribution with high output light engines and integrated emergency / sensor options, as Eaton’s Kachina range, part no. _____

Photometric Data

Cat. No. KCAWS12254Z



See page 468 for design guide

Performance

Cat No.	Lumen Output	Wattage (W)	Llm/cW
KCAWS12254Z	2441	21.3	114.6
KCAWS12354Z	3194	28.4	112.4
KCAWS12604Z	5922	59.9	98.86
KCAWS15254Z	2509	22.3	112.4
KCAWS15454Z	4697	45.1	104.0
KCAWS15704Z	7009	76.11	92.1

Catalogue Numbers

Variant Length	Cat No.	Weight (Kg)	Emergency Cat No.	Weight (Kg)
Standard Luminaires (White finish - complete with two end caps and two 1.5M suspensions)				
1200mm	KCAWS12254Z	8.2	ELKCAWS12254Z	9.6
1200mm	KCAWS12354Z	8.2	ELKCAWS12354Z	9.6
1200mm	KCAWS12604Z	8.2	ELKCAWS12604Z	9.6
1500mm	KCAWS15254Z	9.5	ELKCAWS15254Z	10.2
1500mm	KCAWS15454Z	9.5	ELKCAWS15454Z	10.2
1500mm	KCAWS15704Z	9.5	ELKCAWS15704Z	10.2
Continuous Luminaires (White finish – complete with one 1.5M suspension)				
1200mm	KCAWC12254Z	8.1	ELKCAWC12254Z	9.5
1200mm	KCAWC12354Z	8.1	ELKCAWC12354Z	9.5
1200mm	KCAWC12604Z	8.1	ELKCAWC12604Z	9.5
1500mm	KCAWC15254Z	9.4	ELKCAWC15254Z	10.1
1500mm	KCAWC15454Z	9.4	ELKCAWC15454Z	10.1
1500mm	KCAWC15704Z	9.4	ELKCAWC15704Z	10.1
Infill Section (White finish – complete with one 1.5M suspension)				
1500mm	KCAWC15DS			
1800mm	KCAWC18DS			

For DALI dimming option, replace part number character Z with DD, e.g. KCAWC12254KZ becomes KCAWC12254KDD

For Silver finish – RAL 9006 – replace part number character W with S, e.g. KCAWC12254KZ becomes KCASC12254KZ

Accessories

Description	Cat No.	Weight (kg)
Kachina End Caps – White RAL 9016 set of two	KCAWEPS	0.32
Kachina End Caps – Silver RAL 9006 set of two	KCASEPS	0.32
Kachina Suspension Kit – Single 1500mm	KCA1500SK	0.05

For more information on the installation requirements and product specifications, please visit our website: <https://uk.eaton.com/content/gb/en/products/product-catalog/kachina-suspended-linear-ceiling-light.html>