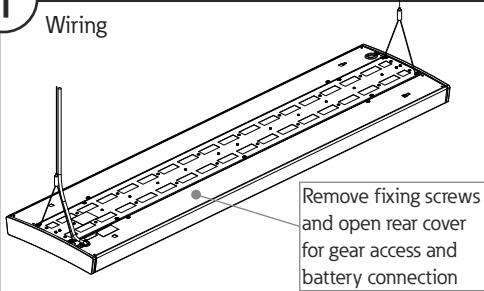


# Kachina

- Product luminaires comply with EN60598 and are suitable for use in normal interior conditions.
- This luminaire has an ambient temperature range of -10°C to 25°C for the non-emergency version
- For Emergency variants - This luminaire has an ambient temperature range of 5°C to 25°C, to ensure the batteries work correctly

## 1 Wiring



### !! SAFETY NOTICE !!

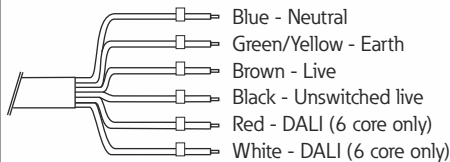
**\*\*WARNING HEAVY ITEMS\*\***

- Heaviest 1200mm fitting - 10Kg
- Heaviest 1500mm fitting - 11Kg
- Heaviest 1500mm infill - 11Kg
- Heaviest 1800mm infill - 13Kg

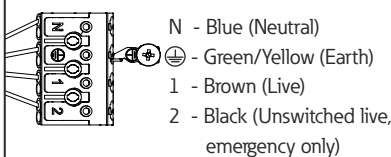
Get help installing heavy products where required

#### Stand Alone Version

All wires have small ID bands to highlight their colour

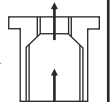


#### Continuous Version

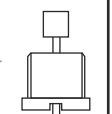


## 2 For Suspended Fittings

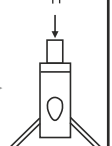
a Fix ceiling boss to mounting surface using suitable wood screw (No. 8 screw or M6 fasteners)



b Feed wire into body as shown - screw body into ceiling boss

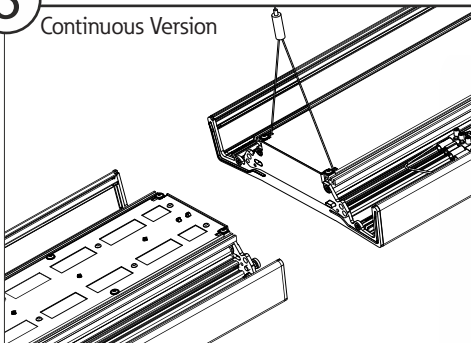


c Thread wire into clutch body higher than required to enable easy downward adjustment.

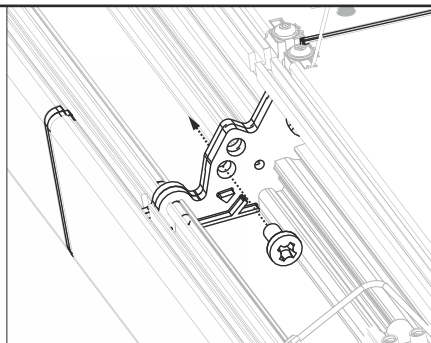


d Adjust height of housing downwards by pressing top of clutch.

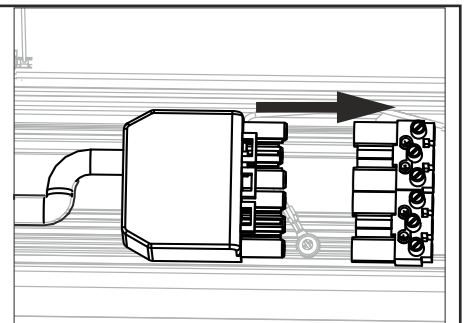
## 3 Continuous Version



Remove all gear covers for both fittings for access to fixing points. Push one Kachina up to the other.

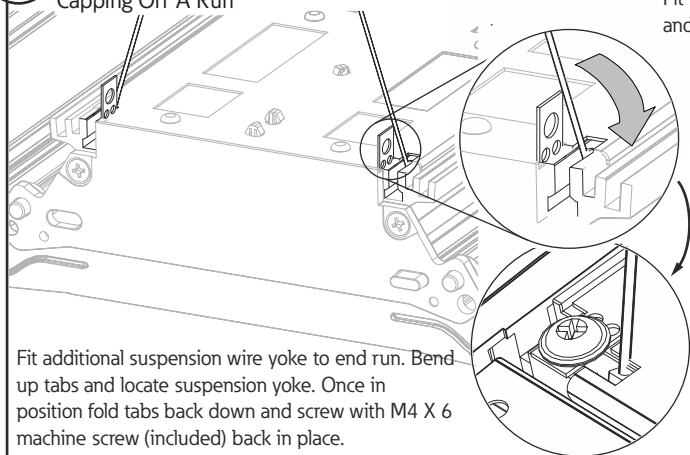


Secure together with M6 X 12 screws (provided) into threaded hole on mating endcap



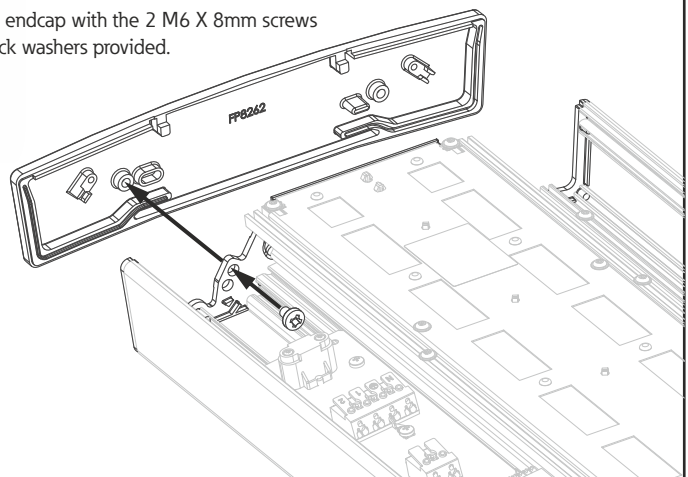
Electrically connect adjacent luminaires by fitting connector to gear tray socket. Through wiring to be protected by a 16A breaker

## 4 Capping Off A Run

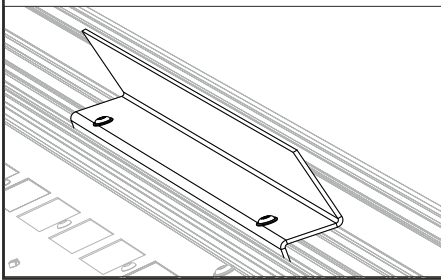


Fit additional suspension wire yoke to end run. Bend up tabs and locate suspension yoke. Once in position fold tabs back down and screw with M4 X 6 machine screw (included) back in place.

Fit the endcap with the 2 M6 X 8mm screws and lock washers provided.



### Adding Counter Ballance



Standard fittings are supplied balanced if additional cables are run down the luminaire/Infill section, fittings may not sit level, counterbalance weights can be removed or added to balance out. Note orientation (as shown in image to the left) when installing. Counterbalance weights are purchased separately if required

**WEIGHT OF ADDITIONAL CABLES MUST NOT EXCEED 5kg - PER LUMINAIRE/INFILL**

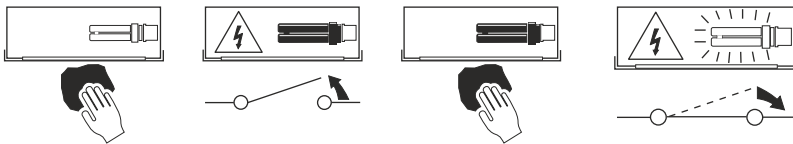
### Safe Operation

1. Check the rating label for voltage and frequency before connecting this luminaire to the electrical supply.
2. Ensure that the mains supply is switched off when working on this luminaire, whether installing or carrying out any other servicing.
3. To prevent damage to driver, do not mix with conventional magnetic ballasts on the same electrical circuit.
4. Where use in more onerous situations is required, e.g. In part-completed buildings before "drying-out" is completed, or areas where ambient temperatures are outside the normal temperature range, then consult our Sales Office.
5. The light source contained in this luminaire shall only be replaced by the manufacturer or his service agent or a similar qualified person.
6. Do not alter dip switch settings.

### Servicing and Disposal

1. At commissioning and handing over of installation ensure that a copy of these instructions is presented to the authority responsible for the operation and maintenance of the luminaries.
2. Servicing, e.g. cleaning, must only be carried out after the electricity supply has been switched off. It must not be assumed that luminaries with lamps not lit are switched off-always check before servicing.
3. Cleaning should be carried out at regular intervals to ensure that dirt does not accumulate to an extent that will impair the thermal safety or optical performance of the luminaire. Regular cleaning will also ensure that the optical performance of the luminaries is maintained.
4. Avoid touching the LED array surface. To clean - Blow surface with either dry air or nitrogen gas.
5. At the end of life the luminaire is classed as WEEE under directive 2002/96/EC and should be disposed of in accordance with local legislation.

### Luminaire Cleaning



### End of Life and Components Disposal

