



Installation Instructions for:

Waveform T5

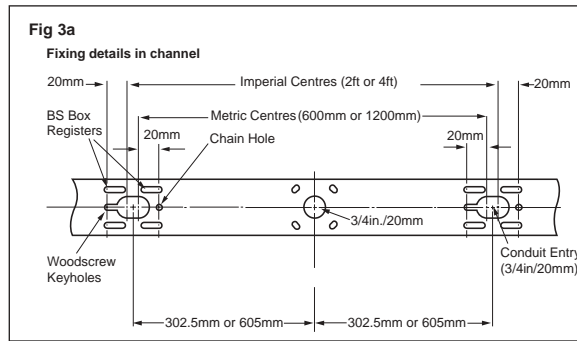
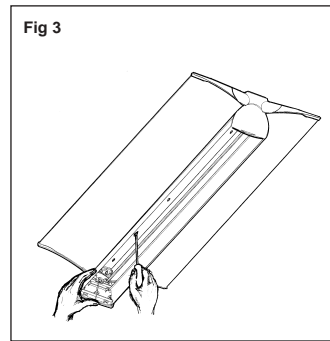
Waveform T5 luminaires comply with BS EN 60598-1 (IP20) and are suitable for use in normal indoor conditions. Where use in more onerous situations is required, e.g. in part completed buildings before "drying out" is completed, or areas where ambient temperatures are outside the normal temperature range, then consult Grompton Lighting.

Approved normal ambient temperature range: 5°C to 25°C.

These luminaires are suitable for direct mounting on defined "normally flammable" ceiling surfaces because of their **F** mark classification.

Preparation for Installation

1. Do not remove endcaps. The moulded endcaps on Waveform do not need to be removed for installation or maintenance.
2. Disassemble luminaire on louvred version, first remove louvre and lamp(s) from housing. Louvre should be removed using polythene gloves supplied in carton.
3. Remove gear cover. Unscrew and lower slightly, slide out to side then move down. Careful not to damage side reflectors. Fit to ceiling using suitable screws and washers at the fixing centres shown in the fixing details. (Figs 3 & 3a)



4. Connect mains cable to terminal block. (Fig 4)

Blue - N Brown - L Green/Yellow -

LUMINAIRE MUST BE EARTHED

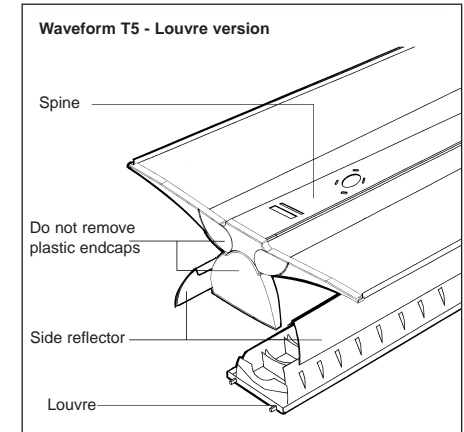
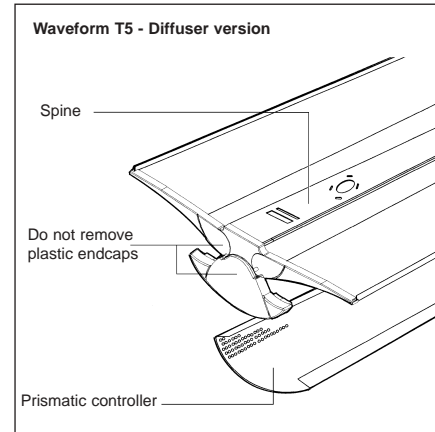
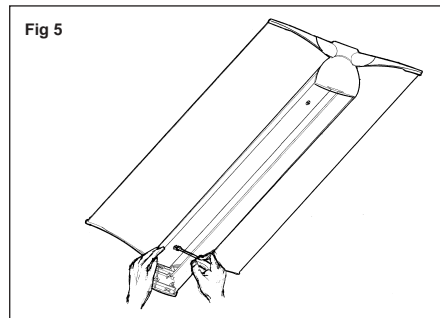
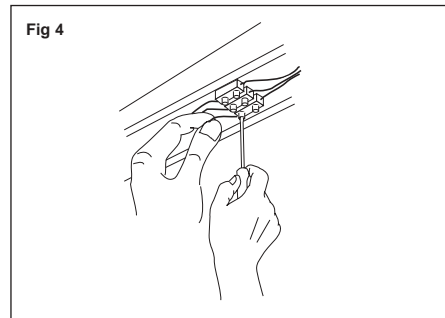
5. Replace cover. Insert lamps and rotate 90°. (Fig 5)

6. Insert lamps

7. For louvred version, reposition using shootbolt connectors.

- a. Attach louvre suspension cords through holes in louvre side reflector and connect earthing spade terminal.
- b. Locate the shootbolts at one end of the louvre into the end plate. Make sure louvre return edge is positioned on outside of side reflector. Locate shootbolts at other end of louvre.

8. Refit perforated controller by hooking the return lip on one side onto the moulded endcaps. Swing the controller onto the opposite side of the endcaps.



Safe operation

1. Check the rating label for voltage and frequency before connecting this luminaire to the electrical supply.
2. Ensure that the mains supply is switched off when working on this luminaire, whether installing, re-lamping or carrying out any other servicing.
3. Use the correct lamps as initially supplied or as indicated on the ballast label.
4. Ensure that the fixing system is adequate for the luminaire weight involved.
5. This luminaire is suitable for direct mounting on all non-combustible and normally flammable materials, e.g. timber, plasterboard. Do not mount luminaire on or close to readily flammable materials.
6. To prevent damage to H.F. Ballasts do not mix H.F. and Conventional Magnetic Ballasts (Switch, Quick or S.R Start) on the same electrical circuit.

SERVICING AND LAMP DISPOSAL

1. At commissioning and handing over of installation ensure that a copy of these instructions is presented to the authority responsible for the operation and maintenance of the luminaires.
2. Servicing, e.g. cleaning, lamp replacement, must only be carried out after the electricity supply has been switched off. It must not be assumed that luminaires with lamps not lit are switched off- always check before servicing.
3. Cleaning should be carried out at regular intervals to ensure that dirt does not accumulate to an extent that will impair the thermal safety of the luminaire. Regular cleaning will also ensure that the optical performance of the luminaires is maintained.
4. Failed lamps and starter switches must be replaced as soon as practicable by lamps and starters of the same type. For electronic start circuits allow **one minute** for the thermal cut-out to re-set before switching on the mains supply.
5. At the end of life the lamp and luminaire are classed as WEEE under directive 2002/96/EC and should be disposed of in accordance with local legislation.
6. All other parts of these luminaires, in small quantities, may be disposed of in the normal way. However, if large quantities of plastic are to be incinerated special precautions should be taken against the fumes which may be given off.

Head Office

Cooper Lighting and Security Ltd, Wheatley Hall Road, Doncaster, South Yorkshire, DN2 4NB

Sales	General	Major Projects London	Export
T: +44 (0)1302 303303	+44 (0)1302 321541	+44 (0)1992 787999	+44 (0)1302 303250
F: +44 (0)1302 367155	+44 (0)1302 303220	+44 (0)1992 787222	+44 (0)1302 303251
E: sales@cooper-ls.com	technical@cooper-ls.com	london@cooper-ls.com	export@cooper-ls.com

COOPER

Cooper Lighting and Security



K701/V

www.cooper-ls.com