



Synthesis is a stylish addition to the designer's choice for balanced light distribution in any interior application. Constructed from extruded aluminium, the elegantly curved slim line profile is only 66mm deep and available in a choice of silver-grey or white finish. Where ceiling heights are restricted, the luminaires can be close mounted using the two 1.5 metre yoked suspension wires supplied, which are easily adjusted to length via an ingenious yet simple clutch mechanism. Suitable for individual or continuous mounting, Synthesis can aesthetically compliment a variety of applications while providing excellent direct/indirect light.

A wide distribution lens ensures uniform upward illumination and when specified with the 65°-1000cd/m<sup>2</sup> louvre, Synthesis is an excellent constituent of VDT office lighting design.

- Aids lighting scheme design to comply with LG7 and BS EN 12464-1
- Continuous or individually mounted to create an architectural feature as well as practical illumination
- Stylish profile in silver-grey or white finish to match any décor
- Direct/indirect light distribution to illuminate the task area and ceiling for a pleasant environment
- High efficiency and high output T5 lamp options offer choice of light output
- 65°-1000cd/m<sup>2</sup> and general purpose satin louvres
- Suspension height adjusted via simple clutch mechanism
- Pre-wired for rapid installation

# Surface and Suspended

## Synthesis

### Lamp and Control Gear Options

- 28W, 35W (HE), 54W, 49W (HO) T5 fluorescent,  4000°K - G5 cap
- High frequency control gear as standard
- Dimming options including DSI and DALI

### Materials

- Housing - extruded/cast aluminium body and endcaps, RAL9016 white or RAL9006 silver-grey finish
- Louvre - xenoptic grade, satin finish, zero iridescence, anodised aluminium
- Rear Lens - extruded clear TPa lens with linear prisms

### Installation Notes

- Aids lighting scheme design to comply with LG7 and BS EN 12464-1 - Refer to Interior Lighting Design Guide page 517
- Close ceiling mount or suspension, via 2 x adjustable wire kits (1.5m kits supplied)  
Continuous systems have 1 suspension kit per module
- Mounting kit top plate secured to ceiling by single screw
- Suspension wires clip into body, via anti-displacement slots
- Height adjusted at yoke via simple clutch mechanism
- Simple plug and play connection system for continuous mount versions
- Terminal block with 2 x 2.5mm<sup>2</sup> cable capacity per termination
- Fused as standard
- Supplied with chosen optic prefitted
- Supplied complete with lamps
- Dimming continuous systems have dedicated units for the beginning and end of a run due to plug and socket configuration

### Options

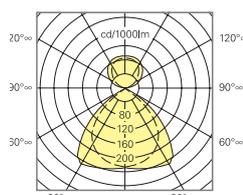
- Individual mount luminaires
- Continuous systems constructed from start/end and mid section luminaires
- 90 degree corner and dummy modules
- Dimming options including DSI and DALI
- Fully integral emergency conversion, 3 hour duration
- Emergency versions available with automatic test functionality
- Lighting control and energy management options (refer to Controls Guide on page 457)

### Specification

To specify state: Architectural suspended/close mount luminaire, shallow profile extruded aluminium body, suitable for individual or continuous mounting, 66mm deep, with die-cast end caps. Direct control via 65°-1000cd/m<sup>2</sup>/ribbed cross blade Xenoptic satin, zero iridescence louvre, retained by shootbolts. Indirect control via linear prism lens. Pre-wired and supplied with suspension kits, adjusted by a clutch mechanism for rapid installation as Eaton's Synthesis range, part no. \_\_\_\_\_

### Photometric Data

Cat. No. SYSV235Z



LOR: 0.73  
ULOR: 0.26  
DLOR: 0.47

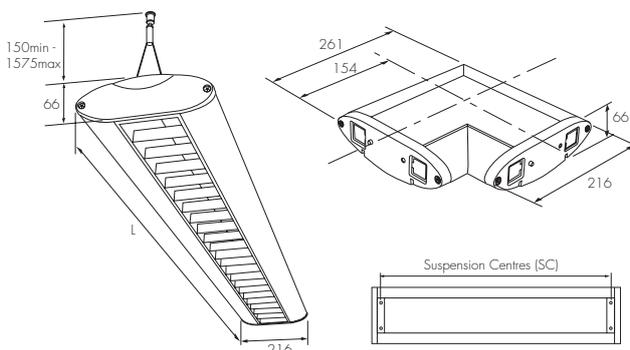
SHR nom: 1.50  
SHR max: 1.72

Utilisation factors / TM5

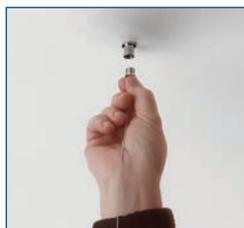
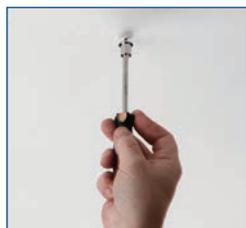
Reflectances			Room Index								
C	W	F	0.75	1.0	1.25	1.5	2.0	2.5	3.0	4.0	5.0
70	50	20	45	51	55	58	62	64	66	68	70
30			41	47	51	54	59	62	64	66	68
10			38	44	48	52	56	59	61	64	66
50	50	20	42	47	50	53	56	58	59	61	62
30			39	44	47	50	53	56	57	59	61
10			36	41	45	48	51	54	56	58	60
30	50	20	39	43	46	47	50	52	53	54	55
30			36	40	43	46	48	50	51	53	54
10			34	38	42	44	47	49	50	52	53
0	0	0	31	34	36	38	40	41	42	43	44
BZ-class			1	1	1	1	1	1	1	1	1

See page 514 for Design Guide

### Dimensions



Lamp Rating	L (mm)	SC (mm)
<b>Individual and Continuous start/end</b>		
2 x 28W/54W	1207	1139
2 x 35W/49W	1507	1439
<b>Continuous mid section</b>		
2 x 28W/54W	1207	1139
2 x 35W/49W	1507	1439
<b>Dummy modules</b>		
300mm	300	-
600mm	600	-
900mm	900	-
1200mm	1200	-
1500mm	1500	-



## Catalogue Numbers

Lamp Rating	Louvre Option	Cat No White	Cat No Silver/Grey	Weight (kg)	Emergency Cat No White	Emergency Cat No Silver/Grey	Weight (kg)
<b>Synthesis - Individual HF</b>							
2 x 28W	65° - 1000cd/m <sup>2</sup>	SYWV228Z	SYSV228Z	7.4	EBSYWV228Z	EBSYSV228Z	8.1
2 x 54W	65° - 1000cd/m <sup>2</sup>	SYWV254Z	SYSV254Z	7.4	EBSYWV254Z	EBSYSV254Z	8.1
2 x 35W	65° - 1000cd/m <sup>2</sup>	SYWV235Z	SYSV235Z	7.9	EBSYWV235Z	EBSYSV235Z	8.6
2 x 49W	65° - 1000cd/m <sup>2</sup>	SYWV249Z	SYSV249Z	7.9	EBSYWV249Z	EBSYSV249Z	8.6
2 x 28W	Ribbed cross blade	SYWR228Z	SYSR228Z	7.3	EBSYWR228Z	EBSYSR228Z	8.0
2 x 54W	Ribbed cross blade	SYWR254Z	SYSR254Z	7.3	EBSYWR254Z	EBSYSR254Z	8.0
2 x 35W	Ribbed cross blade	SYWR235Z	SYSR235Z	7.8	EBSYWR235Z	EBSYSR235Z	8.5
2 x 49W	Ribbed cross blade	SYWR249Z	SYSR249Z	7.8	EBSYWR249Z	EBSYSR249Z	8.5
<b>Synthesis - Continuous Start/End HF</b>							
2 x 28W	65° - 1000cd/m <sup>2</sup>	SYEWW228Z	SYESV228Z	7.4	EBSYEWV228Z	EBSYESV228Z	8.1
2 x 54W	65° - 1000cd/m <sup>2</sup>	SYEWW254Z	SYESV254Z	7.4	EBSYEWV254Z	EBSYESV254Z	8.1
2 x 35W	65° - 1000cd/m <sup>2</sup>	SYEWW235Z	SYESV235Z	7.9	EBSYEWV235Z	EBSYESV235Z	8.6
2 x 49W	65° - 1000cd/m <sup>2</sup>	SYEWW249Z	SYESV249Z	7.9	EBSYEWV249Z	EBSYESV249Z	8.6
2 x 28W	Ribbed cross blade	SYEWR228Z	SYESR228Z	7.3	EBSYEWR228Z	EBSYESR228Z	8.0
2 x 54W	Ribbed cross blade	SYEWR254Z	SYESR254Z	7.3	EBSYEWR254Z	EBSYESR254Z	8.0
2 x 35W	Ribbed cross blade	SYEWR235Z	SYESR235Z	7.8	EBSYEWR235Z	EBSYESR235Z	8.5
2 x 49W	Ribbed cross blade	SYEWR249Z	SYESR249Z	7.8	EBSYEWR249Z	EBSYESR249Z	8.5
<b>Synthesis - Continuous Mid-section HF</b>							
2 x 28W	65° - 1000cd/m <sup>2</sup>	SYCWW228Z	SYCSV228Z	7.1	EBSYCWV228Z	EBSYCSV228Z	7.8
2 x 54W	65° - 1000cd/m <sup>2</sup>	SYCWW254Z	SYCSV254Z	7.1	EBSYCWV254Z	EBSYCSV254Z	7.8
2 x 35W	65° - 1000cd/m <sup>2</sup>	SYCWW235Z	SYCSV235Z	7.6	EBSYCWV235Z	EBSYCSV235Z	8.3
2 x 49W	65° - 1000cd/m <sup>2</sup>	SYCWW249Z	SYCSV249Z	7.6	EBSYCWV249Z	EBSYCSV249Z	8.3
2 x 28W	Ribbed cross blade	SYCWR228Z	SYCSR228Z	7.0	EBSYCWR228Z	EBSYCSR228Z	7.7
2 x 54W	Ribbed cross blade	SYCWR254Z	SYCSR254Z	7.0	EBSYCWR254Z	EBSYCSR254Z	7.7
2 x 35W	Ribbed cross blade	SYCWR235Z	SYCSR235Z	7.5	EBSYCWR235Z	EBSYCSR235Z	8.2
2 x 49W	Ribbed cross blade	SYCWR249Z	SYCSR249Z	7.5	EBSYCWR249Z	EBSYCSR249Z	8.2

Single lamp versions are also available

For DSI dimming option, replace part number character **Z** with **RD**, eg SYWV235Z becomes SYWV235RD

For DALI dimming option, replace part number character **Z** with **DD**, eg SYWV235Z becomes SYWV235DD

Dimming continuous systems have dedicated units for the beginning and end of a run due to plug and socket configuration

Emergency versions available with automatic test functionality - see page 235 for system features

Length	Silver/Grey Cat No	White Cat No	Weight (kg)
<b>Synthesis - continuous mid-section</b>			
300mm	SYDS300	SYDW300	1.7
600mm	SYDS600	SYDW600	3.0
900mm	SYDS900	SYDW900	4.4
1200mm	SYDS1200	SYDW1200	5.7
1500mm	SYDS1500	SYDW1500	7.0
90° corner	SYCS90	SYCW90	1.7

For further information contact our technical support and application department on 01302 303240 or email [lighting@cooper-ls.com](mailto:lighting@cooper-ls.com)

