
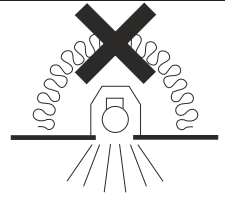


RXS 2 - Small

IP65 IP20  CE



- Product luminaires comply with EN60598 and are suitable for use in normal interior conditions.
- This luminaire has an ambient temperature range of -25°C to 25°C for the non-emergency version
- For Emergency variants - This luminaire has an ambient temperature range of 5°C to 25°C, to ensure the batteries work correctly

1

Cut aperture and feed mains cable through

Max Ceiling Thickness = 30.0mm
Ceiling Panel/Plasterboard \varnothing Max. 95.0mm \varnothing
Metal Pan \varnothing Max. 90.0mm \varnothing

2

Standard Wiring - Ensure mains supply is turned OFF

Wire Mains cable into the driver as directed on the driver – ensure the lead is securely clamped, where required using the clamps positioned in the terminal cover before fixing the cover into position until it 'clicks'

Mains cable into driver To RXS head

Emergency Wiring - Ensure mains supply is turned OFF

Plug and socket flying lead

Wire mains cable into plug for emergency fittings and connect to socket on the flying lead from gear pod

To RXS head

Plug battery pack, supplied here upon installation

Emergency

1	Switched Live (Brown)
\oplus	Earth (Green/Yellow)
N	Neutral (Blue)
2	Unswitched Live (Black)

Emergency with Dimming

1	Switched Live (Brown)
\oplus	Earth (Green/Yellow)
N	Neutral (Blue)
2	Unswitched Live (Black)
D1	D1 (Black 1-10v -)
D2	D2 (Red 1-10v +)

3

Slide driver housing into ceiling through aperture

WARNING!
Do not touch LED Array

Optional Fixing Points - Emergency

Gear pods can be fixed if required. Unscrew and remove cover, fold down fixing tabs and fix to surface. Refit and secure cover of gear pod.

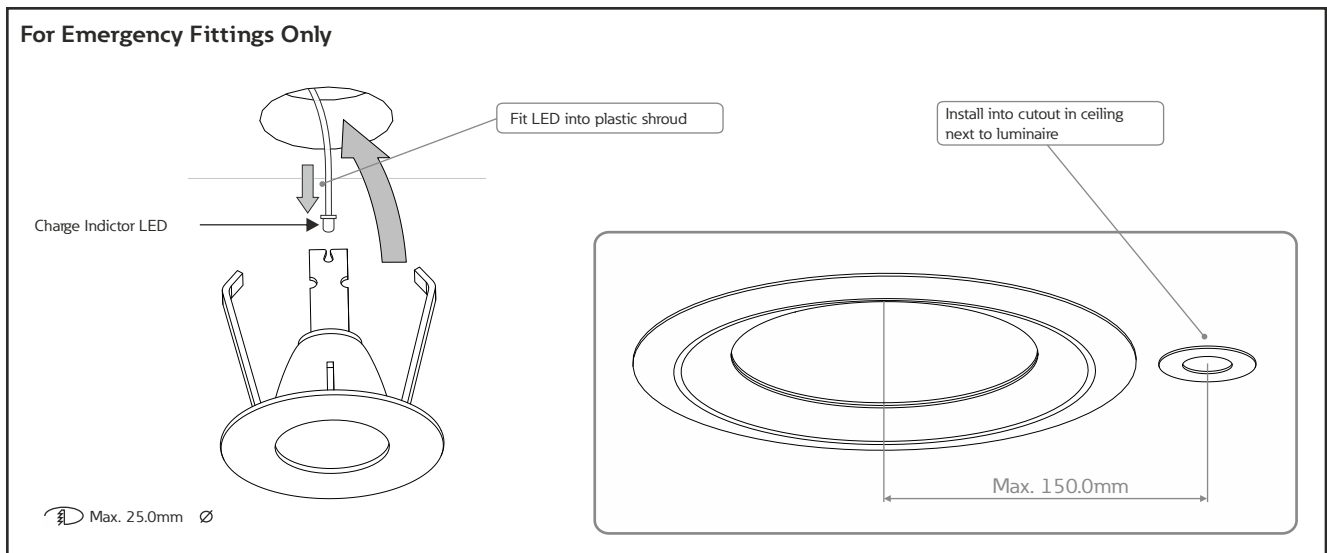
4

Hold springs in and insert RXS head into aperture

For IP65 rated RXS fittings ensure plastic film is removed from outside face of plastic panel prior to power being switched on.
Note: IP65 bezel provides ingress protection from the front face only

X = Minimum Luminaire clearance for air flow
PLEASE NOTE – Minimum ceiling void is 100mm

IMPORTANT NOTE: Ensure housing is in a ventilated area and not covered



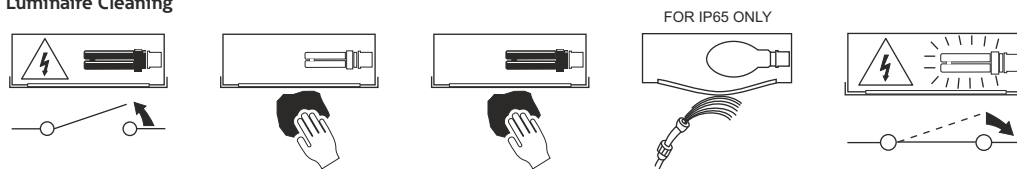
Safe Operation

1. Check the rating label for voltage and frequency before connecting this luminaire to the electrical supply.
2. Ensure that the mains supply is switched off when working on this luminaire, whether installing or carrying out any other servicing.
3. To prevent damage to driver, do not mix with conventional magnetic ballasts on the same electrical circuit.
4. Where use in more onerous situations is required, e.g. In part-completed buildings before "drying-out" is completed, or areas where ambient temperatures are outside the normal temperature range, then consult our Sales Office.

Servicing and Disposal

1. At commissioning and handing over of installation ensure that a copy of these instructions is presented to the authority responsible for the operation and maintenance of the luminaries.
2. Servicing, e.g. cleaning, must only be carried out after the electricity supply has been switched off. It must not be assumed that luminaries with lamps not lit are switched off-always check before servicing.
3. Cleaning should be carried out at regular intervals to ensure that dirt does not accumulate to an extent that will impair the thermal safety or optical performance of the luminaire. Regular cleaning will also ensure that the optical performance of the luminaries is maintained.
4. To clean IP65 front lens use a soft lint free cloth and mild detergent only.
5. Avoid touching the LED array surface. To clean - Blow surface with either dry air or nitrogen gas.
6. At the end of life the luminaire is classed as WEEE under directive 2002/96/EC and should be disposed of in accordance with local legislation.

Luminaire Cleaning



End of Life and Components Disposal

