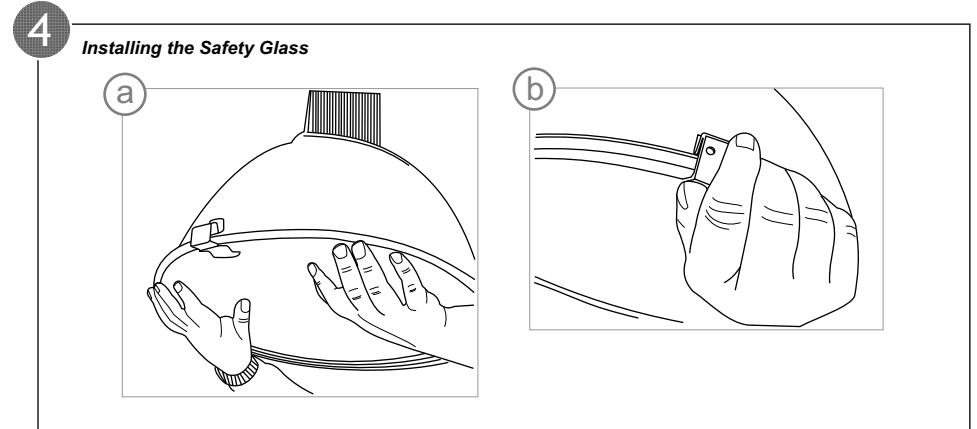
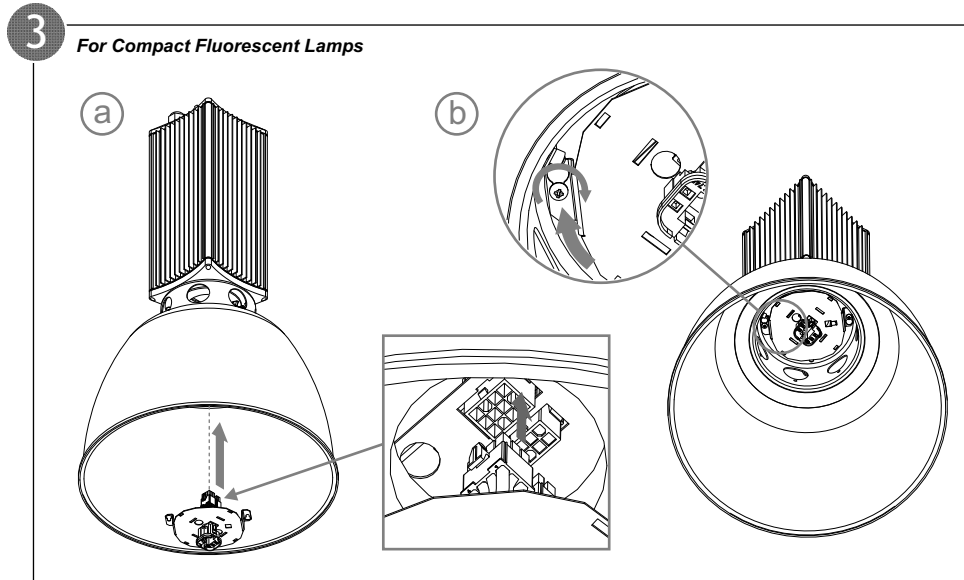
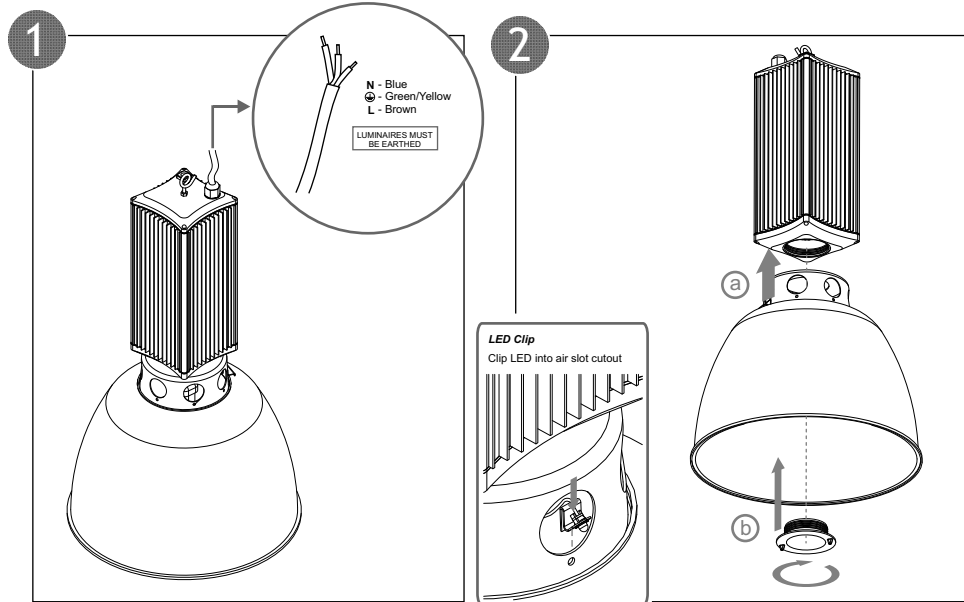


Installation Instructions for: Pacemaker



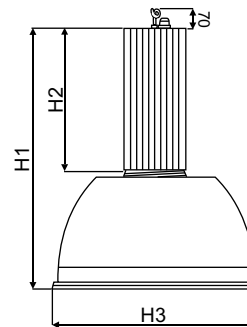
- Product luminaires comply with BS4533: Section 102.1 (EN 60598-2-1) and are suitable for use in normal interior conditions.
- This luminaire has an ambient temperature range of 5°C to 25°C



Technical Information

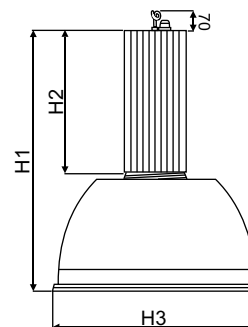
Supply Voltage: 230V-240V/50Hz
Lamp: Elliptical discharge lamp/ TC-T compact fluorescent
Electrical Class: Class 1 - must be earthed
Ambient temp.t: 5°C to 25°C (-25°C to 40°C Discharge gear only)

High bay & Aluminium Reflector



H1 = 662mm
H2 = 335mm
H3 = 485mm

High Bay & Prismatic Refractor



H1 = 774mm
H2 = 335mm
H3 = 560mm

Cooper Lighting and Safety Ltd
Wheatley Hall Road, Doncaster, South Yorkshire, DN2 4NB

Sales	General	Major Projects London	Export
T: +44 (0)1302 303303	+44 (0)1302 321541	+44 (0)1992 787999	+44 (0)1302 303250
F: +44 (0)1302 367155	+44 (0)1302 303220	+44(0)1992 787222	+44 (0)1302 303251
E: sales@cooper-ls.com	technical@cooper-ls.com	london@cooper-ls.com	export@cooper-ls.com