

Good vertical illumination is important for all types of environments. The latest office lighting standards call for a comfortable, balanced illumination of the walls to minimise eye strain and alleviate the gloomy appearance sometimes experienced with traditional louvred luminaires, whilst retail areas require excellent illumination of shelving and wall displays to maximise sales. The Moduwall range addresses the needs of all of these applications, utilising the latest efficient light sources and carefully designed reflector profiles, to produce superb, uniform distribution. Special kick reflectors, on T5 lamp versions, ensure that the wall is illuminated up to the ceiling line.

- Advanced reflector design for superb, uniform distribution
- Innovative T5 kick reflector to achieve full wall illumination
- Aids lighting scheme design to comply with LG7 and BS EN 12464-1
- Attractive surface T5 option
- Choice of high efficiency lamps to enable the appropriate performance lamp to be selected for the application

Recessed

Moduwall

Lamp and Control Gear Options

- 14W, 28W (HE), 24W, 54W (HO)
T5 fluorescent 4000°K - G5 cap
- 40W and 55W TC-L compact fluorescent, 4000°K - 2G11 cap
- High frequency control gear as standard
- Dimming options including DSI and DALI



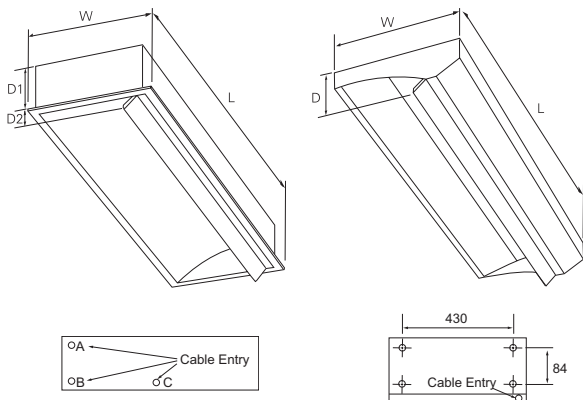
Materials

- Body - welded, full box steel construction, powder coated in RAL9016 white finish
- TC-L optic - Xenoptic grade, satin, extra low iridescence anodised aluminium
- T5 optic - Xenoptic grade, satin, zero iridescence anodised aluminium

Installation Notes

- Recessed versions suitable for exposed "T" and plasterboard ceilings and supplied with adjustable tile support bracket
- Order MSBK side support arms for "draw-up" applications in exposed "T" ceilings
- Order MSBKP side support arms for plasterboard ceilings
- Contact Technical Support for compatibility with other ceilings
- Surface version suitable for direct fix
- Terminal block with 2 x 2.5mm² cable capacity per termination
- Optical assembly on TC-L versions retained by wishbone springs for secure and optically accurate location. Hangs for hands free re-lamping
- Supplied complete with lamps
- Fused option available

Dimensions



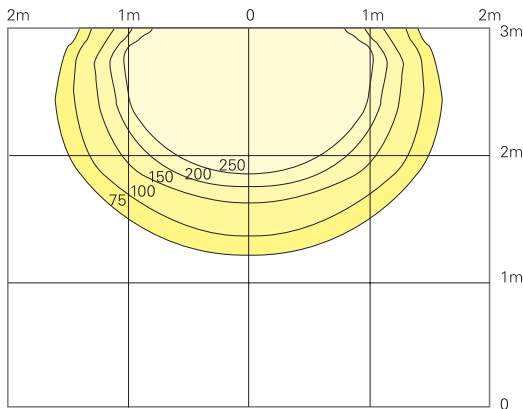
Options

- Recessed versions available fitted with pre-wired socket to suit Connect rapid wiring system. Add suffix 'CX' to catalogue number
- See page 498 for details of Connect Wiring System
- We offer a range of product support contracts to aid commissioning, reduce your maintenance costs, comply with legislative test requirements and increase the lifespan of your lighting equipment

Specification

To specify state: Recessed/Surface asymmetric wall washer luminaire, of full box welded construction with post coat powder paint, RAL9016 finish, with high performance, uniform distribution asymmetric reflector in high efficiency satin Xenoptic anodised aluminium, retained by wishbone springs, as Eaton's Moduwall range, part no. _____

Photometric Data



Wall Isolux
Moduwall T5 Surface
MWS128Z
28W T5 (HE)
Mounting height = 3m
Wall offset = 0.9m

Lamp Rating	L (mm)	W (mm)	D/D1 (mm)	D2 (mm)	Cable Entry Point
Recessed					
1 x 40/55W TC-L	597	225	100	-	B
2 x 40/55W TC-L	1197	225	100	-	C
1 x 14/24W T5	597	174	80	20	A
1 x 28/54W T5	1197	174	80	20	A
Surface					
1 x 14/24W T5	590	200	77	-	-
1 x 28/54W T5	1190	200	77	-	-

Catalogue Numbers

Luminaire Lamp Rating	Gear Option	Cat No	Weight (kg)
Moduwall Recessed			
1 x 40W TC-L	High Frequency	MW140Z	3.5
1 x 55W TC-L	High Frequency	MW155Z	3.5
2 x 40W TC-L	High Frequency	MW240Z	6.7
2 x 55W TC-L	High Frequency	MW255Z	6.7
<hr/>			
1 x 14W T5 (HE)	High Frequency	MWR114Z	2.5
1 x 28W T5 (HE)	High Frequency	MWR128Z	5.6
1 x 24W T5 (HO)	High Frequency	MWR124Z	2.5
1 x 54W T5 (HO)	High Frequency	MWR154Z	5.6

Luminaire Lamp Rating	Gear Option	Cat No	Weight (kg)
Moduwall Surface			
1 x 14W T5 (HE)	High Frequency	MWS114Z	2.5
1 x 28W T5 (HE)	High Frequency	MWS128Z	5.6
1 x 24W T5 (HO)	High Frequency	MWS124Z	2.5
1 x 54W T5 (HO)	High Frequency	MWS154Z	5.6

For further information contact our technical support and application department on 01302 303240 or email lighting@cooper-ls.com



Moduwall TC-L Recessed



Moduwall T5 Surface