



Moduspec T5

Moduspec T5 luminaires comply with BS4533-102.2 Class 1 (IP20) and are in proprietary metric suspended ceiling systems. Where use in more onerous situations is required, e.g. in part completed buildings before "drying-out" is completed, or areas where ambient temperatures are outside the normal temperature range, then consult our Doncaster Sales Office.

Approved normal ambient temperature range 5°C to 25°C.
 Suppressed for use in residential accommodation.

Testing of insulation resistance. In accordance with IEE Regulations, electronic ballast luminaires should be disconnected from supply before insulation resistance testing of wire.

Methods of Fixing Luminaire

To comply with lighting design ensure 600 x 600 louvred luminaires are installed with all lamps in the same direction .

Rod Suspension

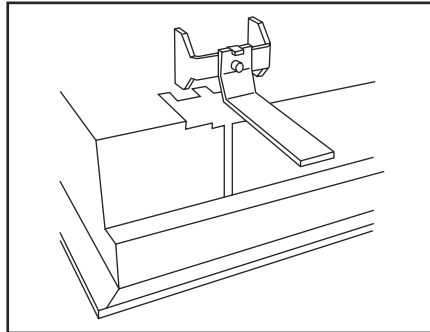
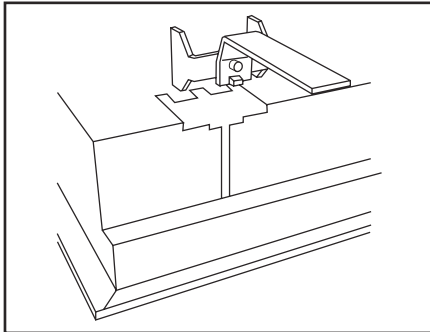
1. Fix four 6mm suspension rods to main structure to line up with 4 x 9.6mm holes in housing. For dimensions of piercing on specific housing, then consult our Doncaster Technical Department.
2. Lift housing into ceiling aperture whilst positioning down rods through holes. Place washers and nuts on to rods to take the weight of the housing.

Note: The rods must not protrude more than 15mm into the housing.

3. Adjust support nuts to obtain correct trim level.

Bearer Suspension

1. Before installation ensure that the ceiling support system is adequate to carry the total luminaire weight.
 2. MSBKT5's can be inserted in one of two ways, dependent on the type of ceiling used. They are as follows:
 - i. For luminaire support required between 40.5mm and 65.0mm from the front face of the luminaire.
 - ii. For luminaire support required between 22.2mm and 40.5mm from the front face of the luminaire.
- i.e.: Burgess Spring Tee
 Standard Concealed
- i.e.: Microlook fineline exposed
 Exposed Tee
 Microlook exposed



3. Offer housing up into prepared aperture. Insert bearer through side slot to retain luminaire. Repeat for all four bearers.
4. Lift luminaire, clamp bearer arms down into lowest positions and tighten locking screws.
5. Connect supply and earth conductors to the three way terminal block marked N, & L.

Blue or Black - N, Brown or Red - L, Green/Yellow -

LUMINAIRE MUST BE EARTHED

6. Insert T5 fluorescent lamps and twist through 90° for positive pin contact.

Louvre Installation - Handle With Care Fragile

1. Offer louvre into one end of housing (use gloves provided to avoid finger marks). Locate shoot bolts on end of Louvre into corresponding holes in the housing, connect earth lead from housing to tag on Louvre and insert safety cords into holes provided. Swing opposite side upwards and locate shoot bolts into the housing.
2. To remove Louvre, reverse the procedure detailed above.

Safe Operation

1. Check the rating label for voltage and frequency before connecting this luminaire to the electrical supply.
2. Ensure that the mains supply is switched off when working on this luminaire, whether installing, re-lamping or carrying out any other servicing.
3. Use the correct lamps as initially supplied or as indicated on the ballast label.
4. This luminaire is suitable for direct mounting on all non-combustible and normally flammable materials, e.g. timber, plasterboard. Do not mount luminaire on or close to readily flammable materials.
5. To prevent damage to H.F. Ballasts do not mix H.F. and Conventional Magnetic Ballasts (Switch, Quick or S.R Start) on the same electrical circuit.

SERVICING AND LAMP DISPOSAL

1. At commissioning and handing over of installation ensure that a copy of these instructions is presented to the authority responsible for the operation and maintenance of the luminaires.
2. Servicing, e.g. cleaning, lamp replacement, must only be carried out after the electricity supply has been switched off. It must not be assumed that luminaires with lamps not lit are switched off- always check before servicing.
3. Cleaning should be carried out at regular intervals to ensure that dirt does not accumulate to an extent that will impair the thermal safety of the luminaire. Regular cleaning will also ensure that the optical performance of the luminaires is maintained.
4. Failed lamps and starter switches must be replaced as soon as practicable by lamps and starters of the same type. For electronic start circuits allow **one minute** for the thermal cut-out to re-set before switching on the mains supply.
5. At the end of life the lamp and luminaire are classed as WEEE under directive 2002/96/EC and should be disposed of in accordance with local legislation.
6. All other parts of these luminaries, in small quantities, may be disposed of in the normal way. However, if large quantities of plastic are to be incinerated special precautions should be taken against the fumes which may be given off.