



When high light output is required for general or display illumination, but compact dimensions are essential for aesthetic reasons, Metalstar offers an effective solution.

Now with a wide choice of options, such as omni-directional housings for control of beam direction and the latest capsule CDM-TC lamps for even smaller dimensions, the Metalstar range is ideally suited to atria, retail, leisure and hotel applications. Good colour rendering and stable through life colour, is provided by the warm white ceramic metal halide and natural deluxe metal halide lamp choice. All versions are fitted as standard with a rapid connect plug and socket system for ease of installation.

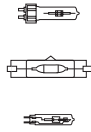
- Ultra compact CDM-TC lamp options
- Quality die-cast aluminium construction
- High output, high performance design
- Fixed and omni-directional style versions
- Gearbox with plug and socket for rapid installation

# Downlights & Spotlights

Metalstar

## Lamp and Gear Options

- 35W, 70W, 150W CDM-T, 3000°K/70W, 150W HQI-T, 4200°K - G12 cap
- 70W, 150W CDM-TD, 3000°K/70W, 150W HQI-TS, 4200°K - Rx7s cap
- 35W, 70W CDM-TC, 3000°K - GY8.5 cap
- Magnetic control gear as standard
- HF control gear option available



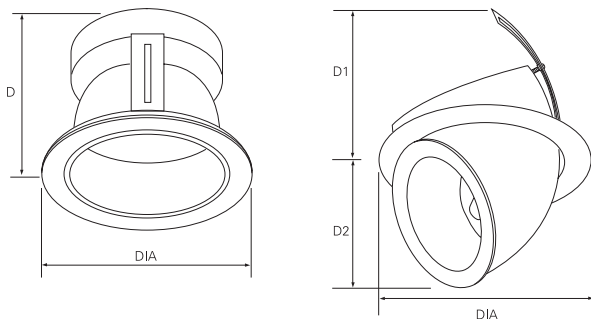
## Materials

- Bezel and housing - die-cast aluminium, powder coated in RAL9010 white finish (Omni CDM-TC also in natural aluminium finish)
- Gear box - sheet steel construction, powder coated in RAL9016 white finish
- Reflector - high purity, satin finish, low iridescence anodised aluminium
- Ceiling clips - spring steel
- Safety glass - 4mm toughened glass

## Installation Notes

- Suitable for pre-cut aperture in ceiling tiles or plasterboard.
- Contact us for compatibility with other ceiling systems
- Omni versions have 0-75° tilt. CDM-TC rotates 180°, CDM-T rotates 359°
- Fast fix, ratchet action ceiling clips adjust to various ceiling thickness, without need of tools
- Remote gear box with pre-wired lead and plug and socket connection to downlight housing
- Gear box has plug and socket connection to mains, using supplied 3 way, 2 x 1.5mm<sup>2</sup> plug
- Supplied complete with lamps
- Gearbox dims not suited to DCDM-TC options in solid ceilings due to cutout dimension
- High frequency option (without gearbox) suits DCDM-TC variant cut-out where ceiling void access is only via the luminaire cut-out. Ballast has integral cable strain relief

## Dimensions



Style/Lamp Type	Dia (mm)	D/D1 (mm)	D2 (mm)	Cutout (mm)
Fixed - CDM-TC	130	115	-	105
Fixed - CDM/HQI	192	190	-	170
Omni - CDM-TC	130	98	74 (max)	105
Omni - CDM-T	186	165	135 (max)	172

Gear box (all styles/lamp types) L 200, W 125, D 80mm

## Options

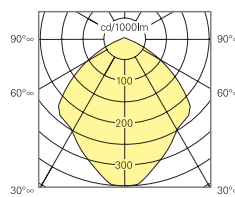
- Lamps supplied are 3000°K CDM or 4200°K HQI. (Available less lamp on request)
- Omni CDM-TC available in brushed aluminium or white finish

## Specification

To specify state: Recessed, die-cast aluminium downlight, with high intensity discharge CDM/HQI/CDM-TC lamps, in fixed/omni-directional format and remote gear box, fused, with fast fit plug and socket wiring system, as Eaton's Metalstar range, part no. \_\_\_\_\_

## Photometric Data

Cat. No. METSC70CW



LOR: 0.76  
ULOR: 0.00  
DLOR: 0.76  
SHR nom: 1.25  
SHR max: 1.40

Utilisation factors / TM5

Reflectances			Room Index								
C	W	F	0.75	1.0	1.25	1.5	2.0	2.5	3.0	4.0	5.0
70	50	20	47	55	61	64	70	73	75	78	80
30			41	50	56	60	66	69	72	76	78
10			37	46	52	56	62	66	69	74	76
50	50	20	46	53	59	62	67	71	73	76	77
30			41	49	54	58	64	68	70	73	75
10			37	45	51	55	61	65	68	71	74
30	50	20	45	52	57	61	65	68	70	73	74
30			40	48	53	57	62	66	68	71	73
10			37	45	50	54	60	63	66	69	71
0	0	0	35	43	48	52	57	61	63	66	68
BZ-class			4	3	3	3	3	3	3	3	3

See page 514 for Design Guide



Fixed CDM/HQI Metalstar



Fixed CDM-TC Metalstar

## Catalogue Numbers

Lamp Rating	Lamp Type	Lamp Colour Temp (°K)	Cat No	Downlight Weight (kg)	Gear Box Weight (kg)
<b>Fixed Metalstar</b>					
1 x 35W	CDM-TC	3000	METSC35CW	0.31	4.00
1 x 70W	CDM-TC	3000	METSC70CW	0.31	4.00
1 x 70W	CDM-T	3000	METS70CW	0.95	4.00
1 x 150W	CDM-T	3000	METS150CW	0.95	4.00
1 x 70W	HQI-T	4200	METS70MN	0.95	4.00
1 x 150W	HQI-T	4200	METS150MN	0.95	4.00
1 x 70W	CDM-TD	3000	METDE70CW	0.95	4.00
1 x 150W	CDM-TD	3000	METDE150CW	0.95	4.00
1 x 70W	HQI-TS	4200	METDE70MN	0.95	4.00
1 x 150W	HQI-TS	4200	METDE150MN	0.95	4.00
<b>Omni-directional Metalstar</b>					
1 x 35W	CDM-TC	3000	METOSC35CW	0.37	4.00
1 x 35W	CDM-TC	3000	METOSC35CWA	0.37	4.00
1 x 35W	CDM-T	3000	METOS35CW	0.37	4.00
1 x 70W	CDM-T	3000	METOS70CW	0.37	4.00
1 x 150W	CDM-T	3000	METOS150CW	0.37	4.00

Note - All control gear is mounted in a remote gear box, with plug and socket connection



Omni CDM-TC Metalstar - white finish



Omni CDM-TC Metalstar - aluminium finish