

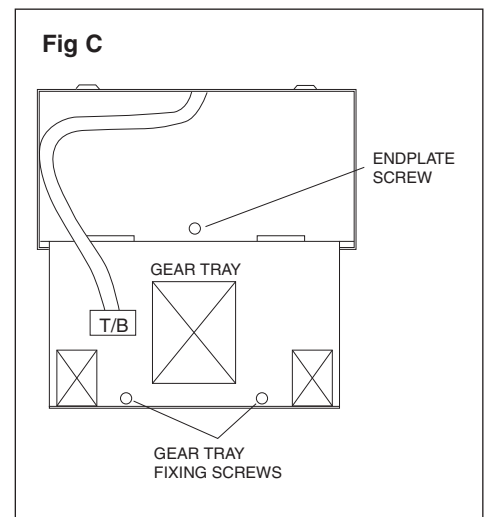
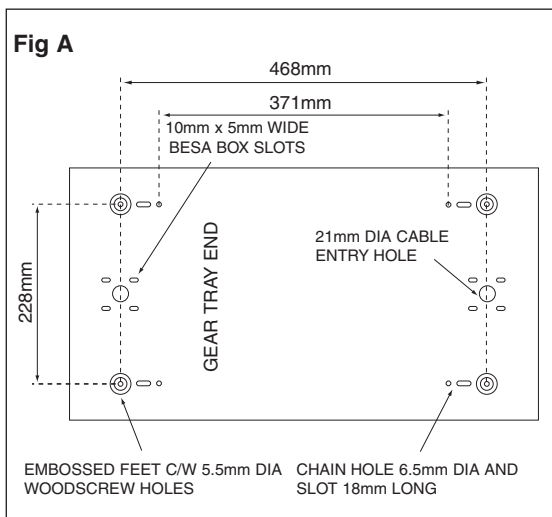


Installation Instructions for: Lightmaster XL

These luminaires comply with BS4533 - 2.2 Class 1, are ∇F marked and are suitable for use in normal indoor conditions. These luminaires are suitable for use within the ambient temperature range of -20°C to 30°C , except that when installed with LMXMLD and LMXMLTP attachments, the maximum ambient is reduced to 25°C . Use temperature resistant sheathing above luminaire when mounting on trunking and using 70°C PVC cable.

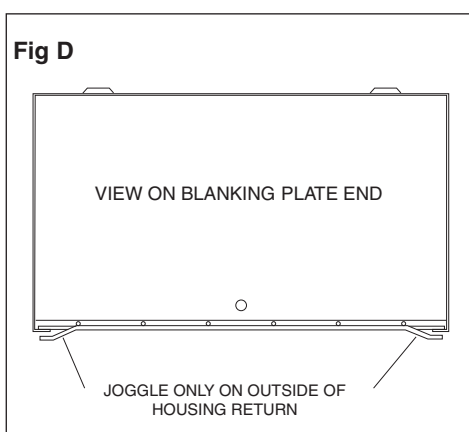
Installation

1. Remove luminaire from carton. On versions supplied with glass panel, stand luminaire on the gear tray end, slacken blanking plate screw approx. 10mm, rotate blanking plate and slide glass out.
2. Lay luminaire on its back, remove lamp in its packaging.
3. Release one side of reflector adjacent to rivet, disconnect earth lead from reflector and roll reflector out.
4. Slacken endplate screw approx. 10mm.
5. Unscrew gear tray fixing screws, rotate gear tray up and un-hook from endplate hinge flanges. Remove from housing.
6. Secure housing using appropriate fixings FIG.A
7. Hook gear tray onto endplate hinge flanges.
8. Tighten endplate screw, this prevents gear tray from being removed.
9. Feed mains cable through wire entry hole above gear tray, ensure that approx. 380mm of cable is fed into luminaire, terminate cable into 3 way terminal block FIG.B. Clamp cable. Cable to be positioned as shown in FIG.C.
10. Swing gear tray up and whilst supporting tray tighten fixing screws.
11. Roll reflector into housing and re-connect earth lead.
12. Remove packaging from lamp and insert lamp into lampholder, ensure lamp is screwed in tightly.
13. On glass versions, re-fit glass, rotate blanking plate and tighten blanking plate fixing screw.



Attachments

1. **IMPORTANT** - Glass cover (LMXMLTP) must be used when using metal halide lamps.
2. The luminaire may be used with a number of attachments including glass cover, louvre, polycarbonate cover and wireguard. These are all installed by slackening the blanking plate screw approx. 10mm, rotating the blanking plate and sliding the attachments inside the housing onto the housing edge returns, ensuring that attachments are positioned under the two small lugs on the gear tray. Rotate blanking plate back into position and tighten screw.
3. When fitting wireguard (LMXMLG) it is important that the middle joggle on wireguard is positioned as shown in FIG.D this prevents excess deflection of the wireguard.



Safe Operation

1. Check the rating label for voltage and frequency before connecting this luminaire to the electrical supply.
2. Ensure that the mains supply is switched off when working on this luminaire, whether installing, re-lamping or carrying out any other servicing.
3. Use the correct lamps as indicated on the ballast label.
4. Ensure the fixing/suspension system is adequate for the luminaire weight involved.

Servicing and Lamp Disposal

1. At commissioning and handing over of installation ensure that a copy of these instructions are presented to the authority responsible for the operation and maintenance of the luminaires.
2. Servicing, e.g. cleaning, lamp replacement, must only be carried out after the electricity supply has been switched off. It must not be assumed that luminaires with lamps not lit are switched off - always check before servicing.
3. Cleaning should be carried out at regular intervals to ensure that dirt does not accumulate to an extent that will impair the thermal safety of the luminaire. Regular cleaning will also ensure that the optical performance of the luminaires is maintained. A louvre cleaning solution to remove fingerprints and other unwanted marks is available (part no. LVRSQL). Polythene gloves are supplied with all louvred fittings, however if required, cotton gloves can also be ordered (part no. LVRGLV).
4. Failed lamps and starter switches must be replaced as soon as practicable by lamps and starters of the same type. For electronic start circuits allow one minute for the thermal cut-out to re-set before switching on the mains supply.
5. At end of life the lamp and luminaire are classed as WEEE under directive 2002/96/EC and should be disposed of in accordance with local legislation.
6. All other parts of these luminaires, in small quantities, may be disposed of in the normal way. However, if large quantities of plastic are to be incinerated special precautions would be taken against the fumes which may be given off. The capacitors in these luminaires are of the dry-film type and contain no materials likely to be injurious.

Cooper Lighting and Security

Wheatley Hall Road, Doncaster, South Yorkshire, DN2 4NB

	Sales	General	Major Projects London	Export
T:	+44 (0)1302 303303	+44 (0)1302 321541	+44 (0)1992 787999	+44 (0)1302 303250
F:	+44 (0)1302 367155	+44 (0)1302 303220	+44 (0)1992 787222	+44 (0)1302 303251
E:	sales@cooper-ls.com	technical@cooper-ls.com	london@cooper-ls.com	export@cooper-ls.com