



This versatile industrial LED luminaire is ideally suited to all industrial and warehouse applications. It is offered with a choice of lumen packages controlled by open area, rack aisle or narrow distribution reflector options and is designed to accommodate different mounting heights and installation methods resulting in a luminaire system that can be tailored to virtually any application.

The variable length housing has a rear mounted gearbox with first fix mounting plate for ease of installation. Sensor options are also integrated into the housing. Energy savings can be further enhanced by the use of occupancy detection, dimmable control gear and/or switching arrangements to minimise electricity consumption. These are benefits over traditional discharge lamps where controls are limited. The highly efficient LED multi-die arrays deliver excellent performance and efficacy, combined with the excellent thermal management and driver compatibility the LEDs deliver a long, virtually maintenance free 50,000+ hours LED life at L70.

- High performance LED arrays with a choice of lumen packages
- Ideal for a range of ambient temperatures from -30°C to +30°C
- Instant white light, no re-strike or run up delay are distinct advantages over HID solutions
- No lamp changes provides virtually maintenance free operation, long LED life, ~5.7 years operating 24/7
- Compact and robust extruded aluminium heatsink and steel housing structure
- First fix mounting plate and plug and socket connection for rapid installation and maintenance
- Racking aisle or open area optic choice to maximise spacing and uniformity
- Variable mounting heights, ideal for warehouse racking and marshalling areas - suitable from 2.5m to 14m+
- 5000K cool white multi-die LED technology with 65 CRI or 80 CRI options
- Emergency versions available with two optic choices to suit mounting heights up to 25m
- Clear panel option for ease of cleaning / LED protection

### Lamp and Control Gear Options

- 1, 2, 3, 4, 5 or 6 multi-die LED arrays
- 5000K cool white
- 65 CRI or 80 CRI options
- 700mA drive current with HF, DALI or 1-10V

### Materials

- Steel housing and extruded aluminium heatsink components in white RAL9016 powder coat finish
- Clear TPa polycarbonate lens (option)
- High purity aluminium reflectors

### Installation Notes

- Multi-function fixing features allow surface, trunking mount, drop rod or chain suspension
- Fused as standard
- For operation in ambient temperatures of -30°C to +30°C
- Emergency versions must be operated in an ambient of +5°C to +25°C to keep the batteries within operating temperatures
- First fix mounting plate enables rapid and simple installation
- Plug and play connection to the gearbox
- Installations utilising the 'rack optic' should be installed with the length of the luminaire running parallel with the length of the aisle
- Sensor versions available - "S" version suits up to 12m mounting height, "D" version is suitable for up to 5m mounting height
- 'U' version is suitable for up to 16m, 'M' version is suitable for up to 12m height
- Communicating sensor versions available for a range of mounting heights up to 16m (refer to page 474)
- Be aware of breaker ratings and cabling for inrush current on LED products. Refer to Controls section page 510

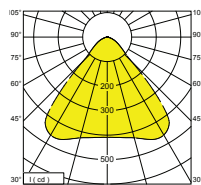
### Options

- Integral emergency options available with 2 optics for different mounting heights:  
'EL' prefix for up to 9m, 'ELH' prefix for 9 to 25m
- HF fixed output and DALI or 1-10V dimmable control gear options to maximise energy efficiency
- Racking aisle, wide open area and narrow distribution reflector choices
- Project specific optics can be developed where appropriate
- PIR Occupancy Sensors:  
"S" sensor is IP20 rated and suits operation down to -40°C ideal for cold applications, suits up to 12m mounting height  
"D" sensor is ideal for mounting heights of up to 5m
- "U" sensor is suitable for up to 16m heights
- "M" sensor is suitable for up to 12m heights
- Choice of up to 6 multi-die LEDs, all driven at 700mA
- Clear TPa polycarbonate panel option available for ease of cleaning and LED protection

### Specification

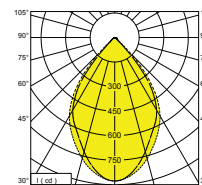
To specify state: High performance Litex LED IP20 luminaire, 1/2/3/4/5/6 LEDs, steel and extruded aluminium housing with white RAL9016 powder coat finish, Wide/Narrow/Rack reflector and clear polycarbonate lens option, suitable for surface or suspended mounting, as Eaton's Litex LED IP20 range part no \_\_\_\_\_

### Photometric Data



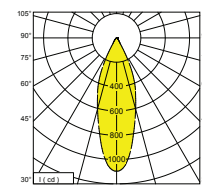
Litex LED IP20 - Wide Optic

SHR nom: 1:1.25  
SHR max: 1:1.3



Litex LED IP20 - Narrow Optic

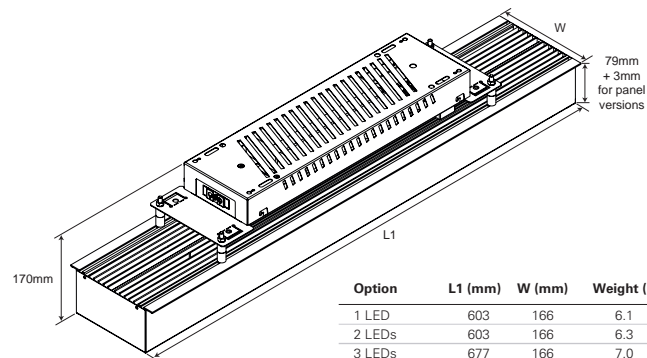
SHR nom: 1:1.25  
SHR max: 1:1.26



Litex LED IP20 - Rack Optic

SHR nom: 1:0.5  
SHR max: 1:0.72

### Dimensions



| Option | L1 (mm) | W (mm) | Weight (kg) |
|--------|---------|--------|-------------|
| 1 LED  | 603     | 166    | 6.1         |
| 2 LEDs | 603     | 166    | 6.3         |
| 3 LEDs | 677     | 166    | 7.0         |
| 4 LEDs | 877     | 166    | 7.7         |
| 5 LEDs | 1150    | 166    | 9.6         |
| 6 LEDs | 680     | 340    | 10.5        |

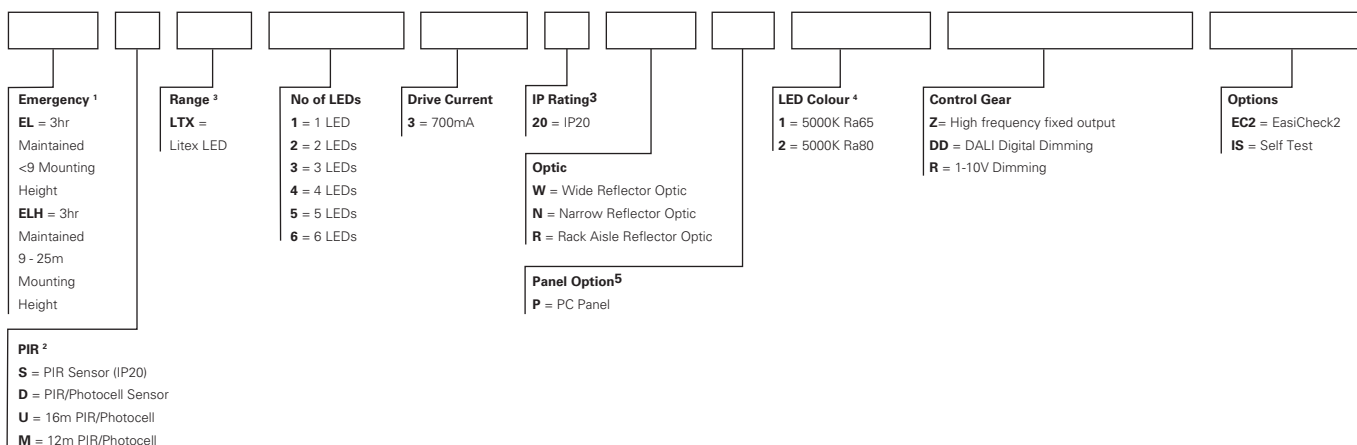
#### Note:

- Emergency versions add 150mm to L1
- Integrated sensor options also add 150mm to L1
- Sensors will be integrated at the opposite end to any emergency optic
- Emergency adds 0.95kg to the weight
- 'U' and 'M' sensors add 0.5kg to the weight



Litex LED IP20 - Rapid Fit Connections and Multi-Function Mounting Features

### Catalogue Numbers



- Emergency versions have a dedicated LED activated in emergency mode with a choice of 2 optics to suit the mounting height
- The 'S' prefix PIR switching sensor is IP20 rated, operates down to -30°C  
The 'D' prefix sensor is suitable for up to 5m mounting heights, operating temperature 0°C to +30°C  
The 'U' or 'M' prefix PIR/photoCell sensor is IP40 rated, suits up to 16m or 12m height respectively, 0°C to +30°C operating temperature and can be switching or dimming subject to control gear choice
- All standard luminaires are IP20 rated
- Alternative colour temperature and CRI options may be considered, this will be to special order  
Note: Higher CRI variants will have a reduced lumen output
- Clear panels will reduce the lumen output slightly (by 10%)

### Luminaire Example

| Lamp Option | Colour Finish | Optic | Cat No     | Description   |
|-------------|---------------|-------|------------|---|
| 2 x LED     | White         | Wide  | LTX2320W2Z | Litex LED IP20 2 LED, 700mA, Wide Reflector, 5000K 80CRI, HF Control Gear |

### Performance Data (5000°K, Ra65)

| LED Quantity | Circuit Watts (W) | Wide (lm) | Llm/cW | Lumen Output and Efficacy |        | Rack (lm) | Llm/cW |
|--------------|-------------------|-----------|--------|---------------------------|--------|-----------|--------|
|              |                   |           |        | Narrow (lm)               | Llm/cW |           |        |
| 1            | 39                | 4805      | 123.0  | 4596                      | 117.8  | 4120      | 105.6  |
| 2            | 83                | 9599      | 115.6  | 9282                      | 111.8  | 8234      | 99.2   |
| 3            | 124               | 14390     | 116.0  | 13765                     | 111.0  | 12345     | 99.5   |
| 4            | 166               | 19185     | 115.5  | 18350                     | 110.5  | 16460     | 99.1   |
| 5            | 195               | 23980     | 122.9  | 22545                     | 115.6  | 20573     | 105.5  |
| 6            | 234               | 28780     | 122.9  | 27535                     | 117.6  | 24693     | 105.5  |

### Performance Data (5000°K, Ra80)

| LED Circuit Quantity | Watts (W) | Wide (lm) | Lumen Output and Efficacy Llm/cW | Lumen Output and Efficacy |        | Rack (lm) | Llm/cW |
|----------------------|-----------|-----------|----------------------------------|---------------------------|--------|-----------|--------|
|                      |           |           |                                  | Narrow (lm)               | Llm/cW |           |        |
| 1                    | 39        | 4146      | 106.3                            | 3965                      | 101.6  | 3555      | 91.1   |
| 2                    | 83        | 8282      | 99.8                             | 7922                      | 95.4   | 7104      | 85.6   |
| 3                    | 124       | 12416     | 100.1                            | 11877                     | 95.8   | 10652     | 85.9   |
| 4                    | 166       | 16554     | 99.7                             | 15833                     | 95.4   | 14202     | 85.5   |
| 5                    | 195       | 20691     | 106.1                            | 19453                     | 99.7   | 17751     | 91.0   |
| 6                    | 234       | 24833     | 106.1                            | 23759                     | 101.5  | 21307     | 91.5   |

5 LED version is a linear format, the 6 LED version is a 3 x 2 arrangement.

Please contact our Technical Support team for further details on 01302 303240 or email [lighting@cooper-ls.com](mailto:lighting@cooper-ls.com)

