




Laserline's sleek, clean lines provide a lighting solution designed to blend in with modern interiors and architecture. Purposely developed to capitalise on the slimness of T5 lamp technology, its main visible body section is only 39mm deep. Direct downward distribution is via a choice of 65°-1000cd/m<sup>2</sup> or general purpose satin louvres, with upward indirect distribution via a wide angle linear prism lens. Laserline can be specified as standalone luminaires or as a continuous system for linear runs with a simple plug and play connection system. Supplied complete with two 1.5m yoked suspension kits with an incredibly simple adjustment mechanism with the ability to close mount 150mm from the ceiling. Laserline provides the ideal solution to meet today's energy efficiency and lighting design requirements without compromising aesthetics.

- Aids lighting scheme design to comply with LG7 and BS EN 12464-1
- Visible body depth of only 39mm providing slim contemporary design
- Continuous or individually mounted
- Direct/Indirect light distribution
- 65°-1000cd/m<sup>2</sup> and general purpose satin louvre options
- Silver-grey or white finish to suit a variety of applications and decor
- Adjustable suspension, via simple clutch mechanism, makes installation quick and easy

# Surface and Suspended

Laserline

## Lamp and Control Gear Options

- 28W, 35W (HE), 54W, 49W (HO) T5 fluorescent,  4000°K - G5 cap
- High frequency control gear as standard
- Dimming options including DSI and DALI

## Materials

- Housing - sheet steel constructed body and endcaps, RAL9016 white or RAL9006 silver-grey finish
- Louvre - xenoptic grade, satin finish, zero iridescence, anodised aluminium louvre
- Rear Lens - extruded clear TPa lens with linear prism

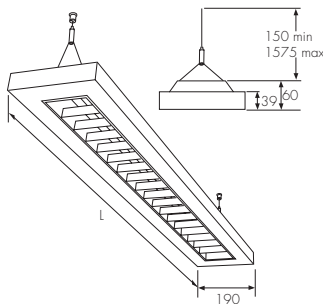
## Installation Notes

- Close ceiling mount or suspension, via 2 x adjustable wire kits (1.5m wire kit supplied)  
Continuous systems have 1 suspension kit per module
- Mounting kit top plate secured to ceiling by single screw
- Suspension wires clip into body, via anti-displacement slots
- Height adjusted at yoke via simple clutch mechanism
- Luminaire pre-wired with 2m flying lead
- Simple plug and play connection system for continuous mount version
- Fused as standard
- Supplied with chosen optic pre-fitted
- Supplied complete with lamps
- Aids lighting scheme design to comply with LG7 and BS EN 12464-1 - Refer to Interior Lighting Design Guide on page 517
- Dimming continuous systems have dedicated units for the beginning and end of a run due to plug and socket configuration

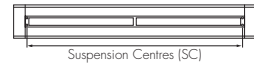
## Options

- Individual mount luminaires
- Continuous systems constructed from start/end and mid section luminaires
- Fully integral emergency conversion, 3 hour duration
- Emergency versions available with automatic test functionality
- Lighting control and energy management options (refer to Controls Guide on page 457)

## Dimensions



Lamp Rating	L (mm)	SC (mm)
<b>Individual and Continuous</b>		
2 x 28W/54W	1288	1153
2 x 35W/49W	1588	1453
<b>Dummy modules</b>		
300mm	300	-
600mm	600	-
900mm	900	-
1200mm	1200	-
1500mm	1500	-

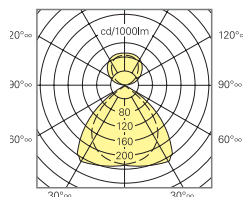


## Specification

To specify state: Architectural suspended individual/continuous mount luminaire, shallow profile post coated steel body and endcaps, 60mm deep with 65°-1000cd/m<sup>2</sup>/ribbed cross blade Xenoptic satin, zero iridescence louvre, retained by shootbolts and linear prism lens, pre-wired and supplied with suspension kits allowing close mounting, adjusted by a clutch mechanism for rapid installation as Eaton's Laserline range, part no. \_\_\_\_\_

## Photometric Data

Cat. No. LLSV235Z



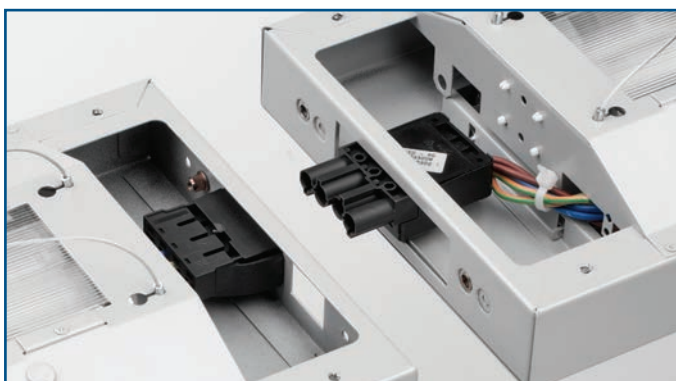
LOR: 0.73  
ULOR: 0.26  
DLOR: 0.47

SHR nom: 1.50  
SHR max: 1.72

Utilisation factors / TM5

Reflectances			Room Index								
C	W	F	0.75	1.0	1.25	1.5	2.0	2.5	3.0	4.0	5.0
70	50	20	45	51	55	58	62	64	66	68	70
		30	41	47	51	54	59	62	64	66	68
		10	38	44	48	52	56	59	61	64	66
50	50	20	42	47	50	53	56	58	59	61	62
		30	39	44	47	50	53	56	57	59	61
		10	36	41	45	48	51	54	56	58	60
30	50	20	39	43	46	47	50	52	53	54	55
		30	36	40	43	46	48	50	51	53	54
		10	34	38	42	44	47	49	50	52	53
0	0	0	31	34	36	38	40	41	42	43	44
BZ-class			1	1	1	1	1	1	1	1	1

See page 514 for Design Guide



Plug and play connection



Rear access panels

## Catalogue Numbers

Lamp Rating	Louvre Option	Cat No White	Cat No Silver/Grey	Weight (kg)	Emergency Cat No White	Emergency Cat No Silver/Grey	Weight (kg)
<b>Laserline - Individual HF</b>							
2 x 28W	65° - 1000cd/m <sup>2</sup>	LLWV228Z	LLSV228Z	7.4	EBLLWV228Z	EBLLSV228Z	8.1
2 x 54W	65° - 1000cd/m <sup>2</sup>	LLWV254Z	LLSV254Z	7.4	EBLLWV254Z	EBLLSV254Z	8.1
2 x 35W	65° - 1000cd/m <sup>2</sup>	LLWV235Z	LLSV235Z	7.9	EBLLWV235Z	EBLLSV235Z	8.6
2 x 49W	65° - 1000cd/m <sup>2</sup>	LLWV249Z	LLSV249Z	7.9	EBLLWV249Z	EBLLSV249Z	8.6
2 x 28W	Ribbed cross blade	LLWR228Z	LLSR228Z	7.3	EBLLWR228Z	EBLLSR228Z	8.0
2 x 54W	Ribbed cross blade	LLWR254Z	LLSR254Z	7.3	EBLLWR254Z	EBLLSR254Z	8.0
2 x 35W	Ribbed cross blade	LLWR235Z	LLSR235Z	7.8	EBLLWR235Z	EBLLSR235Z	8.5
2 x 49W	Ribbed cross blade	LLWR249Z	LLSR249Z	7.8	EBLLWR249Z	EBLLSR249Z	8.5

<b>Laserline - Continuous Start/End HF</b>							
2 x 28W	65° - 1000cd/m <sup>2</sup>	LLEWV228Z	LLESV228Z	7.4	EBLLEWV228Z	EBLLESV228Z	8.1
2 x 54W	65° - 1000cd/m <sup>2</sup>	LLEWV254Z	LLESV254Z	7.4	EBLLEWV254Z	EBLLESV254Z	8.1
2 x 35W	65° - 1000cd/m <sup>2</sup>	LLEWV235Z	LLESV235Z	7.9	EBLLEWV235Z	EBLLESV235Z	8.6
2 x 49W	65° - 1000cd/m <sup>2</sup>	LLEWV249Z	LLESV249Z	7.9	EBLLEWV249Z	EBLLESV249Z	8.6
2 x 28W	Ribbed cross blade	LLEWR228Z	LLESR228Z	7.3	EBLLEWR228Z	EBLLESR228Z	8.0
2 x 54W	Ribbed cross blade	LLEWR254Z	LLESR254Z	7.3	EBLLEWR254Z	EBLLESR254Z	8.0
2 x 35W	Ribbed cross blade	LLEWR235Z	LLESR235Z	7.8	EBLLEWR235Z	EBLLESR235Z	8.5
2 x 49W	Ribbed cross blade	LLEWR249Z	LLESR249Z	7.8	EBLLEWR249Z	EBLLESR249Z	8.5

<b>Laserline - Continuous Mid-section HF</b>							
2 x 28W	65° - 1000cd/m <sup>2</sup>	LLCWV228Z	LLCSV228Z	7.1	EBLLCWV228Z	EBLLCSV228Z	7.8
2 x 54W	65° - 1000cd/m <sup>2</sup>	LLCWV254Z	LLCSV254Z	7.1	EBLLCWV254Z	EBLLCSV254Z	7.8
2 x 35W	65° - 1000cd/m <sup>2</sup>	LLCWV235Z	LLCSV235Z	7.6	EBLLCWV235Z	EBLLCSV235Z	8.3
2 x 49W	65° - 1000cd/m <sup>2</sup>	LLCWV249Z	LLCSV249Z	7.6	EBLLCWV249Z	EBLLCSV249Z	8.3
2 x 28W	Ribbed cross blade	LLCWR228Z	LLCSR228Z	7.0	EBLLCWR228Z	EBLLCSR228Z	7.7
2 x 54W	Ribbed cross blade	LLCWR254Z	LLCSR254Z	7.0	EBLLCWR254Z	EBLLCSR254Z	7.7
2 x 35W	Ribbed cross blade	LLCWR235Z	LLCSR235Z	7.5	EBLLCWR235Z	EBLLCSR235Z	8.2
2 x 49W	Ribbed cross blade	LLCWR249Z	LLCSR249Z	7.5	EBLLCWR249Z	EBLLCSR249Z	8.2

Single lamp versions are also available

For DSI dimming option, replace part number character **Z** with **RD**, eg LLSV235Z becomes LLSV235RD

For DALI dimming option, replace part number character **Z** with **DD**, eg LLSV235Z becomes LLSV235DD

For DALI option, replace part number character **Z** with **DDB/E**, eg LLESV235Z becomes LLESV235DDB for start and LLESV235DDE for end

Emergency versions available with automatic test functionality - see page 235 for system features

Length	Silver/Grey Cat No	White Cat No	Weight (kg)
<b>Laserline - continuous mid-section dummy modules</b>			
300mm	LLDS300	LLDW300	0.9
600mm	LLDS600	LLDW600	1.8
900mm	LLDS900	LLDW900	2.7
1200mm	LLDS1200	LLDW1200	3.6
1500mm	LLDS1500	LLDW1500	4.5

For further information contact our technical support and application department on 01302 303240 or email [lighting@cooper-ls.com](mailto:lighting@cooper-ls.com)