



Installation Instructions for: Continuous Laserline

These luminaires comply with BS EN60598 Class 1(IP20) and are suitable for use in normal indoor conditions. Where use in more onerous situations is required, e.g. in part-completed buildings before “drying-out” is completed, or areas where ambient temperatures are outside the normal temperature range, then consult Crompton Lighting.

Approved normal temperature range: 5°C to 25°C

Preparation For Installation

1. Remove louvre from housing and peel off remaining protective film from louvre surfaces.
2. Remove small cover plates situated at each end of luminaire. This will provide access to the black threaded fixing knobs which are used to secure the luminaires together.
3. Offer start/beginning of run luminaire up to first two ‘Y’ section wires and feed nipple ends into keyhole slots. Adjust height of housing downwards by pressing top of clutch.

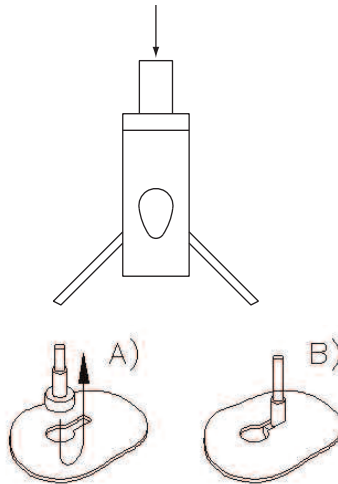
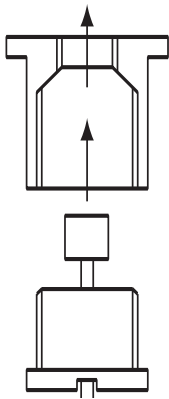
Suspension fixing data

28W-1153	DIMN ‘A’	DIMN ‘A’	28W-1153
35W-1453		134.5	35W-1453
START/END	MID	MID	START/END

LUMINAIRE	DIMN ‘A’
28W MID RUN	1288mm
35W MID RUN	1588mm
300mm DUMMY	300mm
600mm DUMMY	600mm
900mm DUMMY	900mm

Installation

1. Fix ceiling boss to mounting surface using suitable wood screw or appropriate M6 fastener.



2. Feed 1.5m long wire into fastener body as shown. Screw body into ceiling boss.
3. Thread 1.5m long wire into clutch body higher than required to enable easy downward adjustment.

IMPORTANT: Ensure that black plugs are aligned with white sockets in adjacent luminaires.

4. Offer mid luminaire/dummy up to next single ‘Y’ section wire and feed nipple ends into keyhole slots. Locate free end of luminaire/dummy onto previously fitted luminaire, carefully aligning each black threaded knob through the slots at each end of the luminaire. Once locked in place, the black threaded knobs can then be fully tightened to secure fittings in position. Connect adjacent plug and socket(s)
5. Repeat the above instruction to fit the other mid section luminaires/dummies.

6. The continuous system is completed by a start/end of run luminaire which uses two suspension wires.
7. On start of run luminaires connect supply and earth lead to appropriate connector.

Blue - N Brown - L Green/Yellow - 

Note: On emergency luminaires connect the unswitched wire to L2.

The luminaire must be earthed

Emergency and High Frequency luminaires must NOT be megger or high voltage tested.

Shootbolt Louvre - Installation

1. Attach louvre suspension cord through the hole in louvre end bracket and connect earthing spade onto same bracket.
2. Locate the shootbolts at the cord suspension end of the louvre, into the endplate and swing the other end up into position, pulling back the shootbolt handles to lock into place.

Servicing Control Gear

1. Switch mains off. Remove louvre and lamps.
2. Slacken off gear tray fixing nuts and slide screws out of slots.
3. Move gear tray forward to next line of fixing slots, slide screw in and tighten nuts.
4. Reverse the above operations to return luminaire to its operating condition.

Safe Operation

1. Check the rating label for voltage and frequency before connecting this luminaire to the electrical supply.
2. Ensure that the mains supply is switched off when working on this luminaire, whether installing, re-lamping or carrying out any other servicing.
3. Use the correct lamps as initially supplied or as indicated on the ballast label.
4. Do not mount luminaire on or close to readily flammable materials.
5. To prevent damage to H.F. Ballasts do not mix H.F. and Conventional Magnetic Ballasts (Switch, Quick or S.R Start) on the same electrical circuit.

Servicing and Lamp Disposal

1. At commissioning and handing over of installation ensure that a copy of these instructions are presented to the authority responsible for the operation and maintenance of the luminaires.
2. Servicing, e.g. cleaning, lamp replacement, must only be carried out after the electricity supply has been switched off. It must not be assumed that luminaires with lamps not lit are switched off - always check before servicing.
3. Cleaning should be carried out at regular intervals to ensure that dirt does not accumulate to an extent that will impair the thermal safety of the luminaire. Regular cleaning will also ensure that the optical performance of the luminaires is maintained. A louvre cleaning solution to remove fingerprints and other unwanted marks is available (part no. LVR SOL). Polythene gloves are supplied with all louvred fittings, however if required, cotton gloves can also be ordered (part no. LVRGLV).
4. Failed lamps must be replaced as soon as practicable by lamps of the same type.
5. Lamps should be disposed of by breaking them in a container. Precautions must be taken against flying glass or other fragments. This should be done out of doors or in a well ventilated area. Disposal of the debris of large quantities of lamps may be the subject of special regulations of your Local Authority who should be consulted for specific guidance.
6. All other parts of these luminaires, in small quantities, may be disposed of in the normal way. However, if large quantities of plastic are to be incinerated special precautions should be taken against the fumes which may be given off.

Cooper Lighting and Security

Wheatley Hall Road, Doncaster, South Yorkshire, DN2 4NB

Sales	General	Major Projects London	Export
T: +44 (0)1302 303303	+44 (0)1302 321541	+44 (0)1992 787999	+44 (0)1302 303250
F: +44 (0)1302 367155	+44 (0)1302 303220	+44 (0)1992 787222	+44 (0)1302 303251
E: sales@cooper-ls.com	technical@cooper-ls.com	london@cooper-ls.com	export@cooper-ls.com