


## Installation Instructions for:

# Chevin

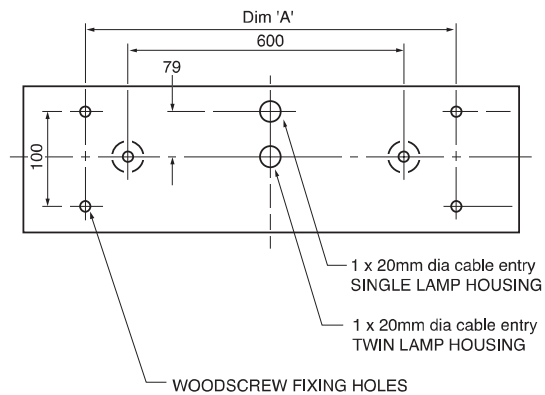
These luminaires comply with BSEN60598-1 (IP20) and are suitable for use in normal indoor conditions. These luminaires are suitable for direct mounting on defined "normally flammable" ceiling surfaces because of their  mark classification.

Approved normal temperature range: 5°C to 25°C.

Radio interference : 36 - 70W switchstart luminaires comply with EMC requirements.

Luminaire	Weight (kg)
1200mm 1x36w c/w Louvre	4.5
1200mm 2x36w c/w Louvre	5.2
1500mm 1x58w c/w Louvre	5.4
1500mm 2x58w c/w Louvre	6.4
1800mm 1x70w c/w Louvre	6.3
1800mm 2x70w c/w Louvre	7.6

	36W	58W	70W
DIM 'A'	900	900	1200




Note: Luminaire housing must be mounted direct on to ceiling surface, they are NOT suitable for suspension or trunking mounting.

### Preparations for installation

- Remove louvre or plastic prismatic panel and lamp(s) from housing. Louvre should be removed using polythene gloves, supplied in carton.

### Housing installation

- Fit to ceiling using either wood screws or B.S box fixing. BLUE - N
- Connect mains cable to fused terminal block. BROWN - L
- If optional extra reflectors are to be fitted refer to Note 8. GREEN/YELLOW - 
- Insert lamps. **LUMINAIRE MUST BE EARTHED**

### Installation of flat prismatic panel

- Remove protective film from panel.
  - To insert, offer panel to the luminaire (**PRISM SIDE OF PANEL TO FACE DOWNWARDS**) at a slight angle and insert one end, then flex panel to fore-shorten length and push upwards until completely inserted and panel rests on luminaire flange along side and ends.

### Installation of reflector

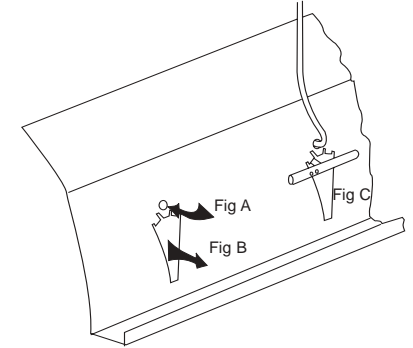
- For twin lamp locate reflector onto threaded studs and secure with lockwashers and nuts supplied. For single lamp versions fix hexagonal spacers onto threaded studs before locating and securing reflector with lockwashers and nuts. Remove protective film.

- Insert lamp(s), then louvre.

### Installation of louvre

- For all louvres attach the suspension cord clips at support tags and earthing spade terminal to earth tag.

These are located down the centre on twin louvres only, otherwise they are located to one side. The end of the safety tag should be inserted through the pierced hole in the side reflector of the louvre (FIG A) and back through the crossblade piercing (FIG B). The tag should then be positioned as shown in FIG C.



- Insert one side of louvre into one side of body, swing other side up and centralise into position to rest on luminaire flange along length. For louvres with leaf springs, push louvre onto the housing to engage springs.

### Safe Operation

- Check the rating label for voltage and frequency before connecting this luminaire to the electrical supply.
- Ensure that the mains supply is switched off when working on this luminaire, whether installing, re-lamping or carrying out any other servicing.
- Use the correct lamps as initially supplied or as indicated on the ballast label.
- This luminaire is suitable for direct mounting on all non-combustible and normally flammable materials, e.g. timber, plasterboard. Do not mount luminaire on or close to readily flammable materials.
- To prevent damage to H.F. Ballasts do not mix H.F. and Conventional Magnetic Ballasts (Switch, Quick or S.R Start) on the same electrical circuit.

### SERVICING AND LAMP DISPOSAL

- At commissioning and handing over of installation ensure that a copy of these instructions is presented to the authority responsible for the operation and maintenance of the luminaries.
- Servicing, e.g. cleaning, lamp replacement, must only be carried out after the electricity supply has been switched off. It must not be assumed that luminaires with lamps not lit are switched off- always check before servicing.
- Cleaning should be carried out at regular intervals to ensure that dirt does not accumulate to an extent that will impair the thermal safety of the luminaire. Regular cleaning will also ensure that the optical performance of the luminaires is maintained.
- Failed lamps and starter switches must be replaced as soon as practicable by lamps and starters of the same type. For electronic start circuits allow **one minute** for the thermal cut-out to re-set before switching on the mains supply.
- At the end of life the lamp and luminaire are classed as WEEE under directive 2002/96/EC and should be disposed of in accordance with local legislation.
- All other parts of these luminaries, in small quantities, may be disposed of in the normal way. However, if large quantities of plastic are to be incinerated special precautions should be taken against the fumes which may be given off.