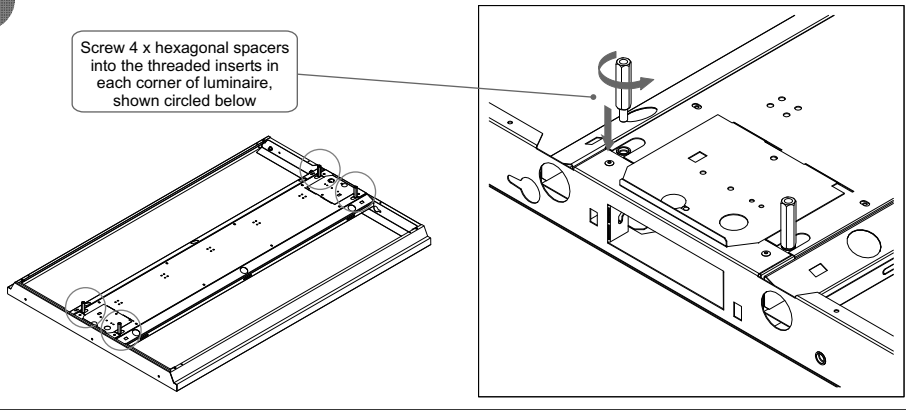


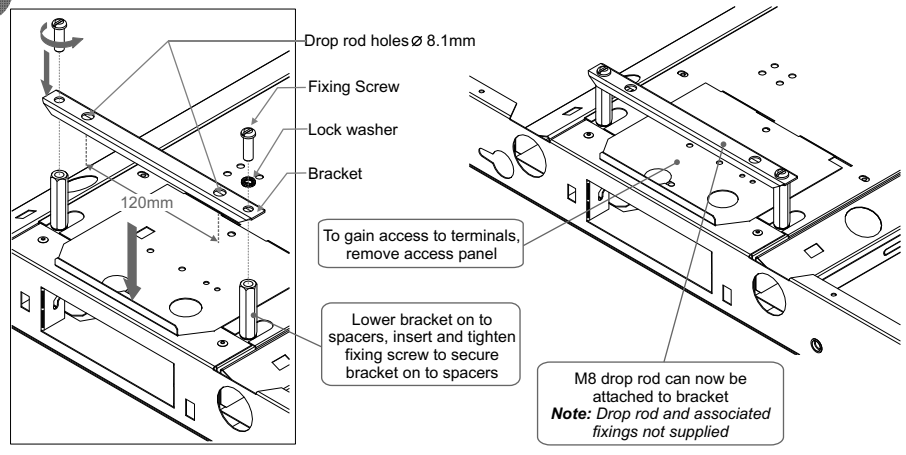
# Installation Instructions for: Acsys M8 Drop Rod Bracket

1

Screw 4 x hexagonal spacers into the threaded inserts in each corner of luminaire, shown circled below



2



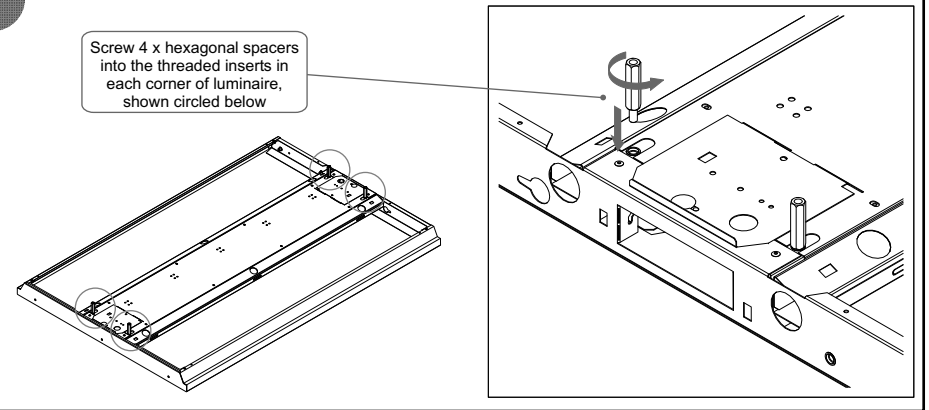
Cooper Lighting and Safety Ltd  
Wheatley Hall Road, Doncaster, South Yorkshire, DN2 4NB

Sales	General	Major Projects London	Export
T: +44 (0)1302 303303	+44 (0)1302 321541	+44 (0)1992 787999	+44 (0)1302 303250
F: +44 (0)1302 367155	+44 (0)1302 303220	+44(0)1992 787222	+44 (0)1302 303251
E: sales@cooper-ls.com	technical@cooper-ls.com	london@cooper-ls.com	export@cooper-ls.com

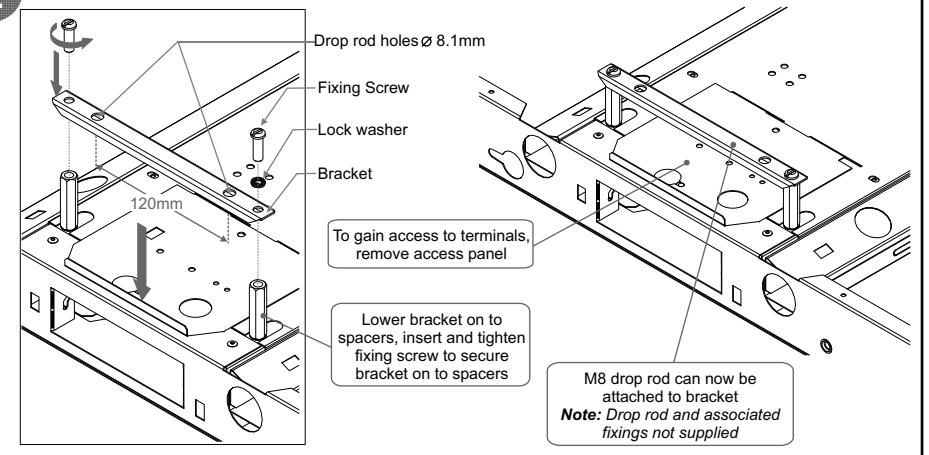
# Installation Instructions for: Acsys M8 Drop Rod Bracket

1

Screw 4 x hexagonal spacers into the threaded inserts in each corner of luminaire, shown circled below



2



Cooper Lighting and Safety Ltd  
Wheatley Hall Road, Doncaster, South Yorkshire, DN2 4NB

Sales	General	Major Projects London	Export
T: +44 (0)1302 303303	+44 (0)1302 321541	+44 (0)1992 787999	+44 (0)1302 303250
F: +44 (0)1302 367155	+44 (0)1302 303220	+44(0)1992 787222	+44 (0)1302 303251
E: sales@cooper-ls.com	technical@cooper-ls.com	london@cooper-ls.com	export@cooper-ls.com