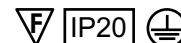


Acsys

- Product luminaires comply with BSEN60598 Class 1.
- This luminaire has an ambient temperature range of 5°C to 25°C



Suspended Mounting

1

Fixing Centres		
Fitting Length (mm)	L (mm)	W (mm)
200	216.0	172.0
600	516.0	172.0
900	816.0	172.0
1200	1116.0	172.0
1500	1416.0	172.0
1800	1716.0	172.0

For continuous assembly gap length 84.0mm

Fix ceiling boss to mounting surface using suitable fixing screw

Feed suspension long wire into body as shown - screw body into ceiling boss

2

Screw 4 x clutches into the threaded inserts in each corner of luminaire as shown below.

Feed wires into clutch. Ensure fitting is higher than required to enable easy downward adjustment, achieved by pressing top of clutch. Cut off excess wire using cable cutters

NOTE: When an infill is used at the end of a run, that infill module will require an additional pair of suspension wires (supplied as a separate kit)..

Continuous

3

Connect Acsys modules together by locating fixings into keyhole slot on opposing module. Peel back the acoustic foam and tighten fixing bolt to secure together, use 10mm socket head. Position acoustic foam back to correct position

NOTE: Ensure acoustic foam is correctly replaced after securing modules to maintain specified acoustic performance.

A

B

4

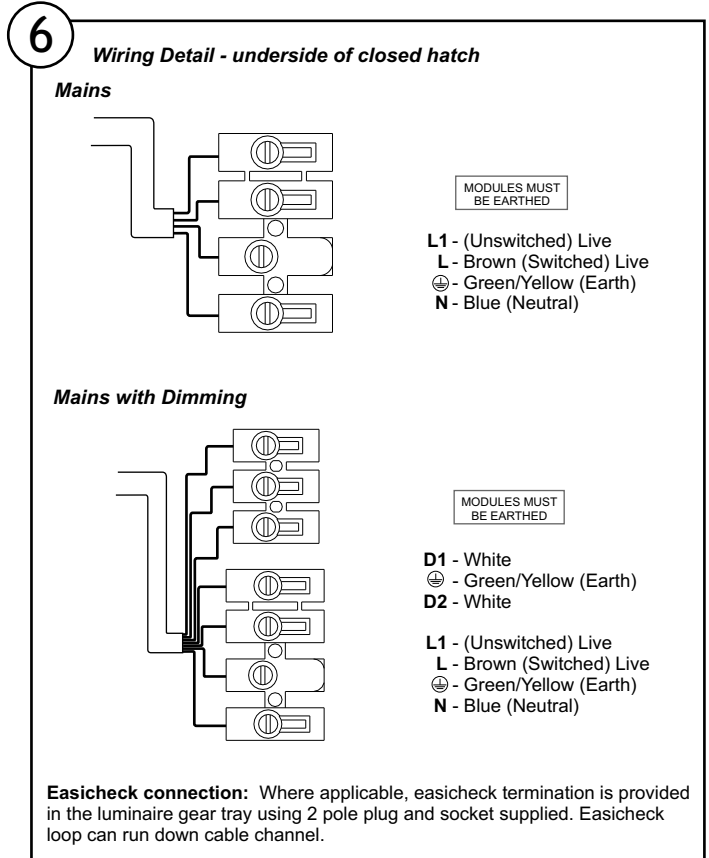
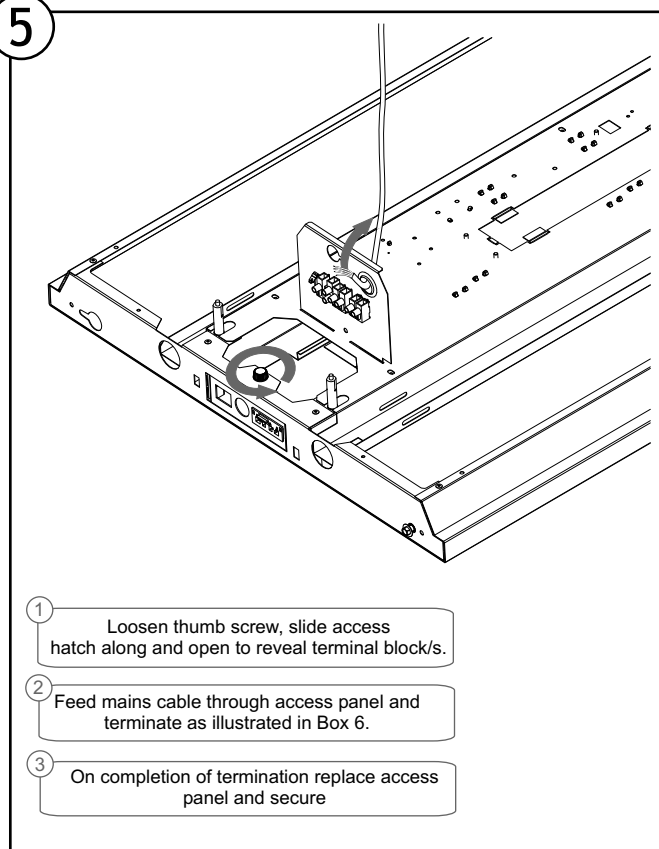
Loosen thumb screw, slide access hatch along and open to reveal electrical terminations (in case of 300mm infill remove geartray)

Socket

To maintain mains through wiring circuit, connect female socket to panel mount plug in opposing module then replace hatch and tighten thumb screw

NOTE: Do not connect the control through wiring socket when dimming control is to be isolated to specific luminaires

Start of Run



Safe Operation

1. Check the rating label for voltage and frequency before connecting this luminaire to the electrical supply.
2. Ensure that the mains supply is switched off when working on this luminaire, whether installing, re-lamping or carrying out any other servicing.
3. Use the correct lamps as initially supplied or as indicated on the ballast label.
4. Do not mount luminaire on or close to readily flammable materials.
5. To prevent damage to H.F. ballasts do not mix H.F. and conventional magnetic ballasts on the same electrical circuit.
6. Where use in more onerous situations is required, e.g. In part-completed buildings before "drying-out" is completed, or areas where ambient temperatures are outside the normal temperature range, then consult our Sales Office.

Servicing and Disposal

1. At commissioning and handing over of installation ensure that a copy of these instructions is presented to the authority responsible for the operation and maintenance of the luminaires.
2. Servicing, e.g. cleaning, lamp replacement, must only be carried out after the electricity supply has been switched off. It must not be assumed that luminaires with lamps not lit are switched off-always check before servicing.
3. Cleaning should be carried out at regular intervals to ensure that dirt does not accumulate to an extent that will impair the thermal safety of the luminaire. Regular cleaning will also ensure that the optical performance of the luminaires is maintained.
4. Failed lamps and starter switches must be replaced as soon as practicable by lamps and starters of the same type. For electronic start circuits allow **one minute** for the thermal cut-out to re-set before switching on the mains supply.
5. At the end of life the lamp and luminaire are classed as WEEE under directive 2002/96/EC and should be disposed of in accordance with local legislation.

Cooper Lighting and Safety Ltd

Wheatley Hall Road, Doncaster, South Yorkshire, DN2 4NB

Sales

T: +44 (0)1302 303303
F: +44 (0)1302 367155
E: sales@cooper-ls.com

General

+44 (0)1302 321541
+44 (0)1302 303220
technical@cooper-ls.com

Major Projects London

+44 (0)1992 787999
+44(0)1992 787222
london@cooper-ls.com

International Sales

+44 (0)1302 303250
+44 (0)1302 303251
export@cooper-ls.com