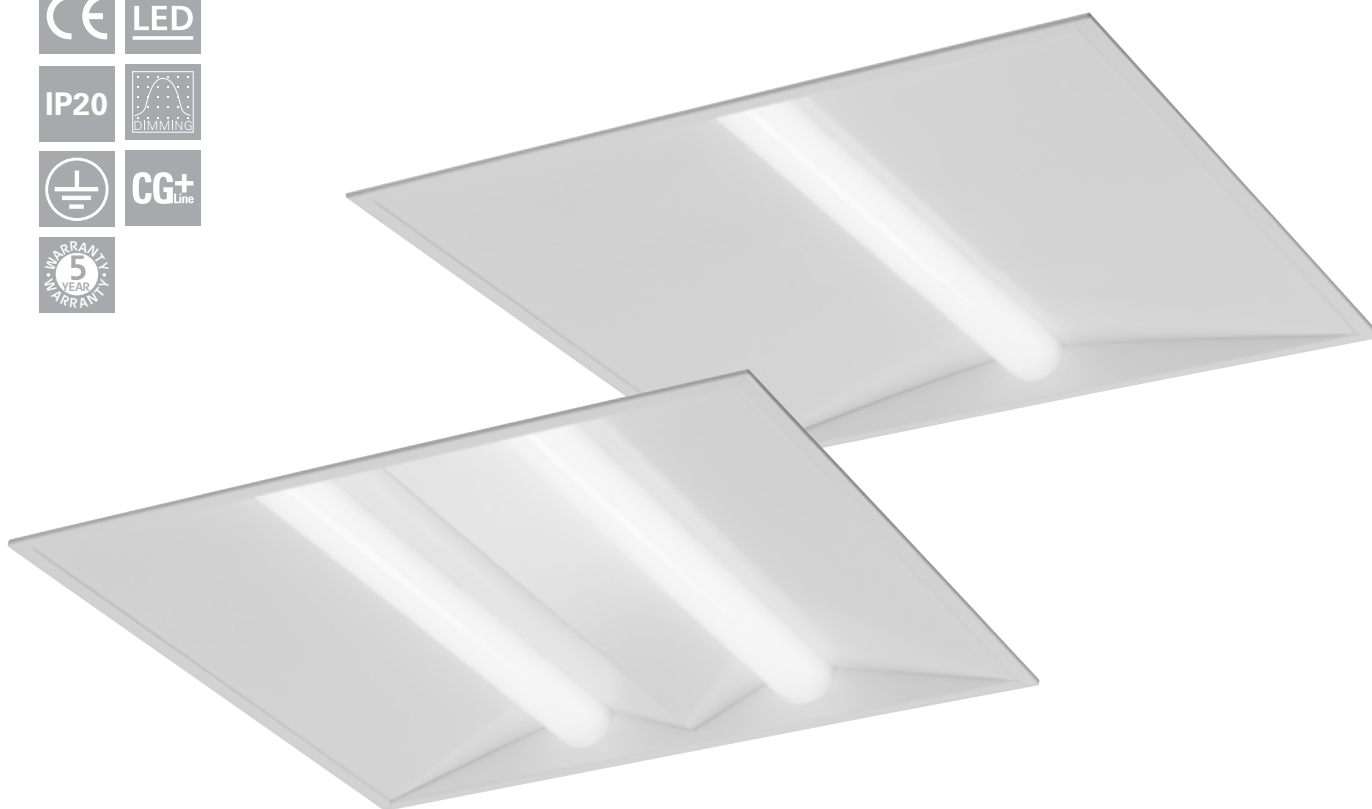


# Balka



Balka brings together a modern architectural contoured appearance with an efficiency performance that is at home amongst the class leaders in the market. Performance figures reaching 142 Llm/cW make this a very attractive proposition in today's market to meet the demanding energy saving targets many customers are specifying to.

With the choice of single and twin versions in the Balka line, and outputs ranging from 2250 - 7200lm; these products can service a wide range of end users from commercial office space up to high output retail applications.

- High efficacies of up to 142 Llm/cW
- Close colour tolerance: MacAdam 3 SDCM
- Excellent light transmission and LED source obscurity via the reeded opal diffuser
- Choice of 2 aesthetic profiles to suit a range of preferences and applications
- Fully integral LED emergency, powered via main LED strip
- Ceiling depth: 50mm
- Quick and simple installation with lay-in option

## Light Engine and Control Gear Options

- High output, high efficacy LED chip set optimised for recessed panel options
- Energy efficient fixed output control gear as standard
- Dimming option - DALI

## Materials

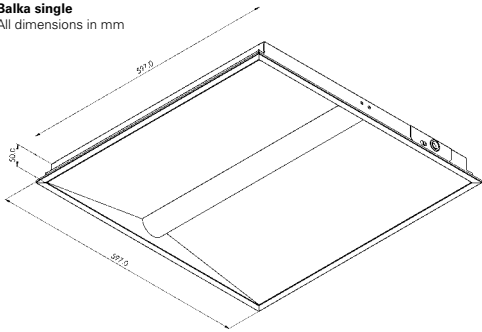
- Body - Full steel box construction powder coated in RAL9016 finish
- Diffuser - UV stabilised opal polycarbonate

## Installation Notes

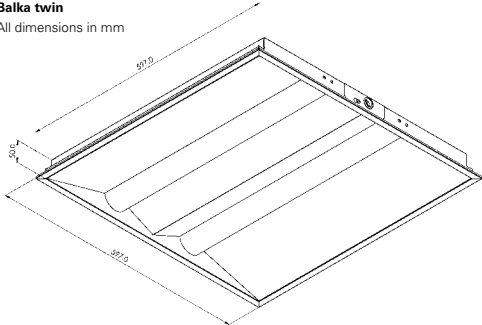
- Suitable for exposed 'T' ceilings, lay-in only
- Side cat flap for ease of access to electrical terminations for rapid installation
- Terminal block with 2 x 2.5mm<sup>2</sup> cable capacity
- Fused as standard
- May aid lighting scheme design to comply with BS EN 12464-1

## Dimensions

**Balka single**  
All dimensions in mm



**Balka twin**  
All dimensions in mm



## Catalogue Numbers

Variant	Cat No	Lumen Output (lm)	Wattage (W)	Efficacy (Llm/cW)	Weight (kg)	Emergency Cat No	Weight (kg)
Single 2250	BLKS66224KZ	2268	18.9	120.0	3.41	ELBLKS66224KZ	4.11
Single 3000	BLKS66304KZ	2973	23.8	124.7	3.41	ELBLKS66304KZ	4.11
Twin 2500	BLKT66254KZ	2436	17.2	141.6	3.57	ELBLKT66254KZ	4.27
Twin 3200	BLKT66324KZ	3147	22.7	138.9	3.57	ELBLKT66324KZ	4.27
Twin 4500	BLKT66454KZ	4494	33.9	132.6	3.57	ELBLKT66454KZ	4.27
Twin 6000	BLKT66604KZ	6074	48.7	124.6	3.57	ELBLKT66604KZ	4.27
Twin 7200	BLKT66724KZ	7196	61.1	117.9	3.57	ELBLKT66724KZ	4.27

For DALI Dimming option replace character Z with DD, e.g. BLKS66224KZ becomes BLKS66224KDD

Emergency versions also available with automatic test functionality, e.g. CG Line+

For further information, contact our Technical Support and Application department on 01302 303240 or email [LightingTechnicalUK@Eaton.com](mailto:LightingTechnicalUK@Eaton.com)

Llm/cW = luminaire lumens per circuit watt

For more information on the installation requirements and product specifications, please visit our website: <https://uk.eaton.com/content/gb/en/products/product-catalog/Balka.html>

## Options

- Fully integral LED emergency conversion, 3 hour duration
- CG Line+ self-test emergency versions available, reducing maintenance costs and offering ease of compliance with testing requirements

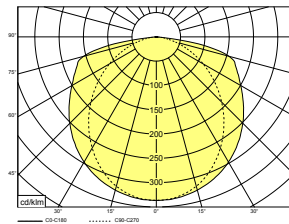
## Specification

To specify state: Recessed aesthetic profile LED luminaire, of full box welded construction with post coat powder paint, RAL9016 finish, for lay-in installations, with UV stabilised opal polycarbonate diffuser and high efficiency LED modules, Eaton's Balka range part no \_\_\_\_\_

## Photometric Data

### Balka single

Cat. No: BLKS66224KZ



LOR 100%  
DLOR 100%  
ULOR 0%  
SHR Nom 1:1.25  
SHR Max 1:1.44

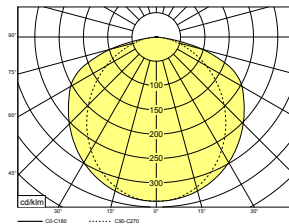
### Utilisation factors / TM5

Reflectances			Room index								
C	W	F	0.75	1	1.25	1.5	2	2.5	3	4	5
0.7	0.5	0.2	54	65	72	77	85	90	94	99	102
0.7	0.3	0.2	46	57	64	70	78	84	88	94	98
0.7	0.1	0.2	40	50	58	64	73	79	84	90	95
0.5	0.5	0.2	53	62	69	74	82	87	90	95	98
0.5	0.3	0.2	46	55	63	68	76	81	86	91	94
0.5	0.1	0.2	40	50	57	63	71	77	82	88	92
0.3	0.5	0.2	51	61	67	72	79	83	87	91	94
0.3	0.3	0.2	45	54	61	66	74	79	83	88	91
0.3	0.1	0.2	40	49	56	62	70	75	80	85	89
0	0	0	38	47	54	59	66	72	75	81	84
BZ-class			5	5	5	5	5	5	5	5	5

See page 468 for design guide

### Balka twin

Cat. No: BLKT66724KZ



LOR 100%  
DLOR 100%  
ULOR 0%  
SHR Nom 1:1.25  
SHR Max 1:1.47

### Utilisation factors / TM5

Reflectances			Room index								
C	W	F	0.75	1	1.25	1.5	2	2.5	3	4	5
0.7	0.5	0.2	55	65	73	78	86	91	95	100	103
0.7	0.3	0.2	47	57	65	71	79	85	89	95	99
0.7	0.1	0.2	41	51	59	65	74	80	85	91	96
0.5	0.5	0.2	53	63	70	75	83	88	91	96	98
0.5	0.3	0.2	46	56	64	69	77	83	87	92	95
0.5	0.1	0.2	41	51	58	64	72	78	83	89	93
0.3	0.5	0.2	52	61	68	73	80	84	88	92	95
0.3	0.3	0.2	45	55	62	67	75	80	84	89	92
0.3	0.1	0.2	40	50	57	63	71	77	81	86	90
0	0	0	38	48	55	60	68	73	77	82	85
BZ-class			5	5	5	5	5	5	5	5	5

See page 468 for design guide