

Cornell 625

- Product luminaires comply with EN60598 and are suitable for use in normal interior conditions.
- This luminaire has an ambient temperature range of -10°C to 25°C

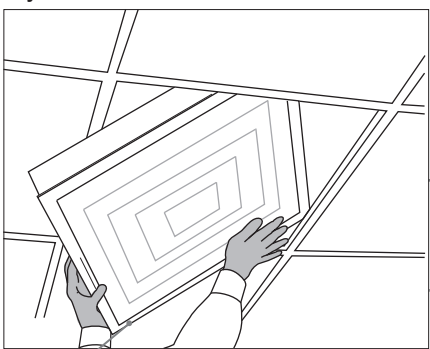
1

IMPORTANT

WHEN HANDLING THE LUMINAIRE, INSTALLER **MUST** WEAR THE BLUE NITRILE POWDER FREE GLOVES SUPPLIED WITH THE PRODUCT. THESE WILL PREVENT FINGER PRINTS FROM BEING ACCIDENTALLY TRANSFERRED ONTO THE PLASTIC PANEL

Fitting into Ceiling

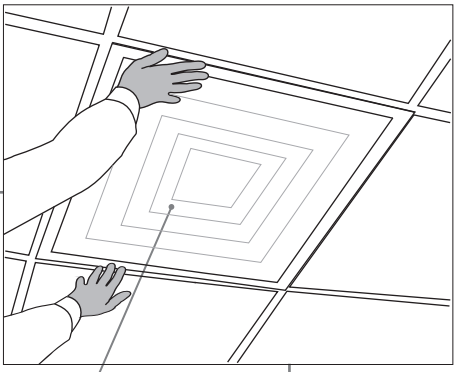
Lay-in



Support fitting by the steel outer frame whilst lifting and tilting into position. Keep finger marks off plastic panel

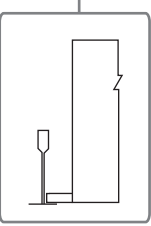
Void required from front of 'T' bar is 300mm

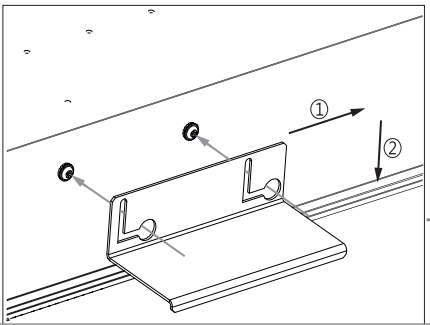
Draw up



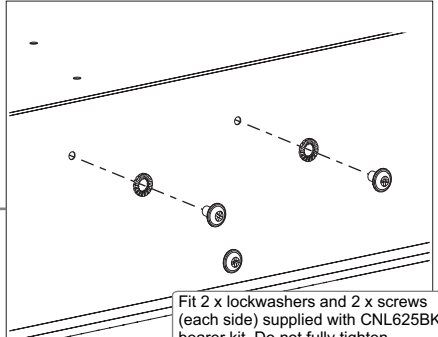
CNL625BK bearers (ordered separately) are installed via adjacent ceiling tiles. It is recommended that two people perform the install. Support luminaire by the steel outer frame whilst lifting luminaire into ceiling. Keep finger marks off plastic panel

Please Note: This fitting is not suitable for solid ceilings





Slide bracket over screws and lockwashers (ensure lockwasher is on front face of bracket) slide to the right then down until bracket touches top of ceiling 'T'. Tighten screws to **0.8Nm (IMPORTANT)**. Repeat for other bracket on opposite side.



Fit 2 x lockwashers and 2 x screws (each side) supplied with CNL625BK bearer kit. Do not fully tighten screws, engage a couple of threads. Repeat for opposite side.

2

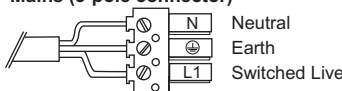
Connecting to mains:

- Connect mains supply cable to plug supplied (as shown below)
- Connect plug to socket from luminaire
- Ensure mains supply is switched off

LUMINAIRES MUST BE EARTHED

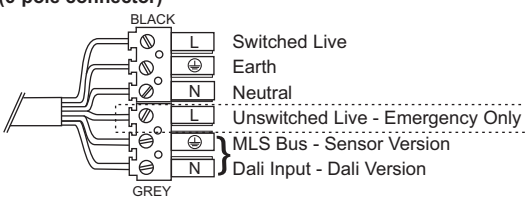
MUST NOT BE HIGH VOLTAGE OR MEGGER TESTED

Mains (3-pole connector)



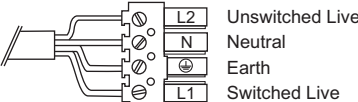
N Neutral
Earth
L1 Switched Live

Mains/Emergency with Dimming/Sensor: (6-pole connector)



BLACK L Switched Live
Earth
N Neutral
L Unswitched Live - Emergency Only
MLS Bus - Sensor Version
Dali Input - Dali Version
GREY

Mains/Emergency: (4-pole connector)



L2 Unswitched Live
N Neutral
Earth
L1 Switched Live

ENSURE COVERS ARE USED WITH CONNECTORS

BATTERY IS PRE-CONNECTED ON EMERGENCY LUMINAIRES. TO MAINTAIN BATTERY CAPACITY LUMINAIRE MUST BE INSTALLED AND POWERED WITHIN 6 MONTHS OF DATE ON LUMINAIRE PACK LABEL

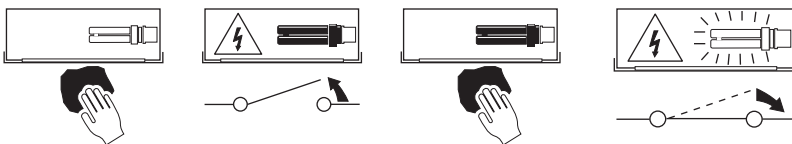
Safe Operation

1. Check the rating label for voltage and frequency before connecting this luminaire to the electrical supply.
2. Ensure that the mains supply is switched off when working on this luminaire, whether installing or carrying out any other servicing.
3. Do not mount luminaire on or close to readily flammable materials.
4. To prevent damage to driver, do not mix with conventional magnetic ballasts on the same electrical circuit.
5. Where use in more onerous situations is required, e.g. In part-completed buildings before "drying-out" is completed, or areas where ambient temperatures are outside the normal temperature range, then consult our Sales Office.
6. The light source contained in this luminaire shall only be replaced by the manufacturer or his service agent or a similar qualified person.
7. **DO NOT** alter dip switch settings

Servicing and Disposal

1. At commissioning and handing over of installation ensure that a copy of these instructions is presented to the authority responsible for the operation and maintenance of the luminaires.
2. Servicing, e.g. cleaning, must only be carried out after the electricity supply has been switched off. It must not be assumed that luminaires with light sources not lit are switched off-always check before servicing.
3. Cleaning should be carried out at regular intervals to ensure that dirt does not accumulate to an extent that will impair the thermal safety or optical performance of the luminaire. Regular cleaning will also ensure that the optical performance of the luminaires is maintained. Do not use any abrasive materials/substances to clean the plastic panel. A simple wipe with a soft lint-free cloth will suffice.
4. Avoid touching the LED array surface. To clean - Blow surface with either dry air or nitrogen gas.
5. At the end of life the luminaire is classed as WEEE under directive 2002/96/EC and should be disposed of in accordance with local legislation.

Luminaire Cleaning



End of Life and Components Disposal

