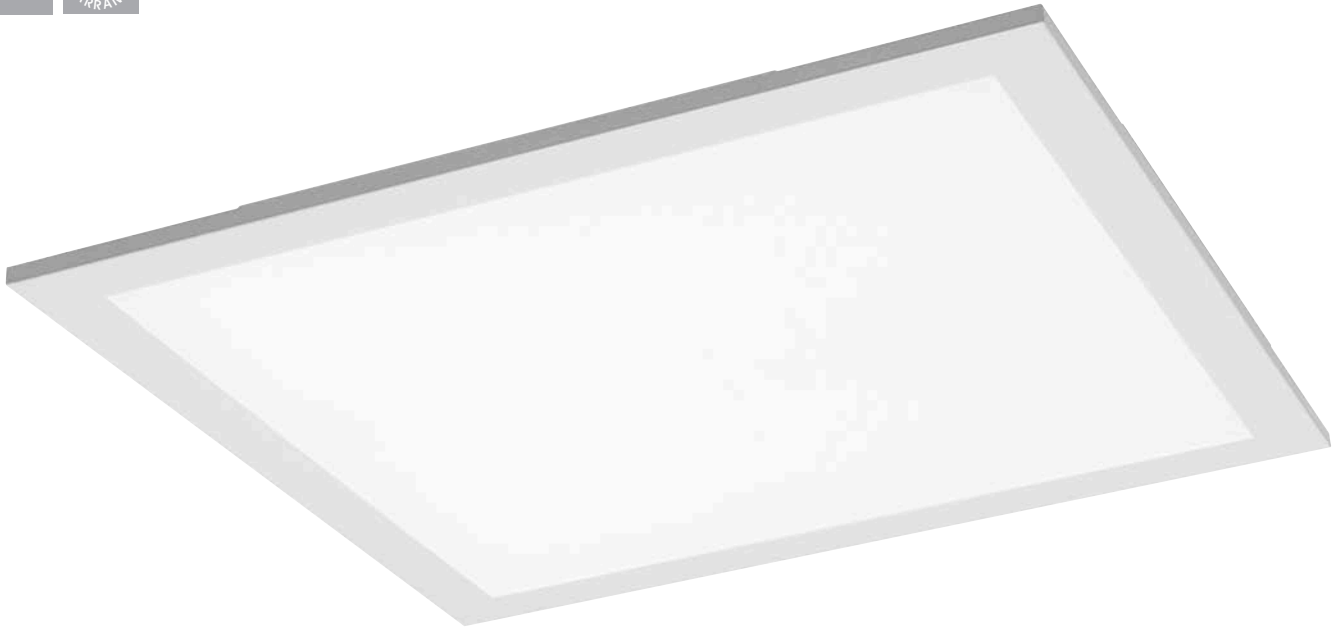


VersaPanel 625



The VersaPanel 625 is a high performance IP44 LED flat panel luminaire that offers significant energy and maintenance savings.

Sleek minimalist design, the VersaPanel is a direct equivalent to a traditional fluorescent solution with reduced energy consumption.

Suitable for a wide range of applications where a cost effective slim line lay-in solution is desired.

- Even lit appearance
- Easy to clean IP44 wipeable surface
- 3400 nominal lumen output
- 4000K colour temperature options
- Simple installation, low profile lay-in solution with plug/socket driver connection
- Efficacy of 93 Lm/cW
- ENEC driver, DALI option

Light Engine and Control Gear Options

- 4000K high output, high efficiency optimised LED panel illumination, >80CRI
- Fixed output LED driver (ENEC) as standard

Materials

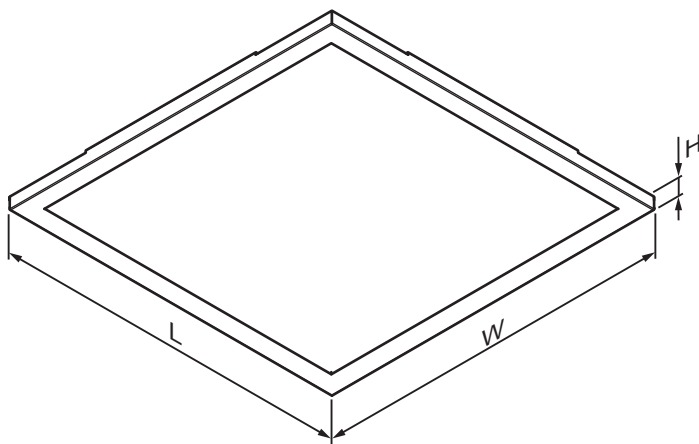
- Housing back plate – steel
- Panel frame – extruded aluminium / steel in white finish
- Panel optic – polystyrene

Installation Notes

- Suitable for exposed 'T' ceilings, lay-in installation
- Remote driver on plug and socket connection
- Mains connection is direct to the driver as standard
- The luminaire panels are IP44 rated. Please note the driver and gearbox are IP20 rated

Dimensions - LED Panel

Product	L (mm)	W (mm)	H (mm)
VersaPanel 625	622	622	14



Catalogue Numbers

Cat No	Description	Nominal Lumens	Max Wattage (W)	Lumen output	Efficiency (Lm/cW)	Colour Temperature °K	Weight (Kg)	Power Factor
VST625344KZ	VersaPanel 625 3400lm 4000K	3400	36	3350	93	4000K	3.7	>.95

For DALI option replace characters KZ with DD example VST625344KZ becomes VST625344DD

For further information, contact our Technical Support and Application department on +44 (0) 1302 303240 or email LightingTechnicalUK@Eaton.com

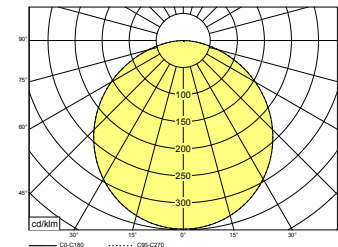
Lm/cW = luminaire lumens per circuit watt

Specification

To specify state; Flat panel edge lit LED, IP44 rated, with diffuse opal panel, extruded aluminium in white finish, plug/socket connection mains to ENEC driver (IP20) as Eaton's VersaPanel 625 range, part no _____

Photometric Data

Cat. No: VST625344KZ



LOR 100%
DLOR 100%
ULOR 0%
SHR max 1:1.46
SHR nom 1-1.25

Utilisation factors / TM5

Reflectances			Room index								
C	W	F	0.75	1	1.25	1.5	2	2.5	3	4	5
0.7	0.5	0.2	56	67	74	79	87	92	95	100	103
0.7	0.3	0.2	48	59	66	72	80	86	90	96	99
0.7	0.1	0.2	42	53	61	67	75	81	86	92	96
0.5	0.5	0.2	54	64	71	77	84	88	92	96	99
0.5	0.3	0.2	47	58	65	70	78	84	87	92	96
0.5	0.1	0.2	42	52	60	66	74	79	84	89	93
0.3	0.5	0.2	53	63	69	74	81	85	88	92	95
0.3	0.3	0.2	47	57	64	69	76	81	85	89	92
0.3	0.1	0.2	42	52	59	65	72	78	82	87	90
0	0	0	40	49	56	61	69	74	78	82	86
BZ-class			5	5	5	5	5	5	5	5	5