

Taliska P 625



Taliska P 625 brings together clean aesthetics with compliance enhancing features. The optical design and materials are a key feature to its appeal.

Designed with a Microprism and dispersal diffuser combination, luminance and glare limits required in office and other applications may be realised. Taliska P 625 offers a very versatile solution to many lighting applications

Simple installation is a key benefit thanks to the side mounted plug and socket arrangement. Connections are all external, saving valuable time on site and maintaining internal integrity. Taliska P 625 is also available with optional side brackets for pull-up applications, making it truly adaptable for a wide range of ceilings.

- Outstanding 'quality of light' optical performance
- Backlit construction for even lighting distribution and thermal efficiency
- High efficacies of up to 103 Llm/cW
- Microprism and dispersal diffuser combination may contribute to EN124641 requirements for scheme compliance
- Quick and simple installation with a lay-in or pull up (additional brackets required) solution complete with plug/socket mains and DALI connection
- Close colour tolerance: MacAdam 3 SDCM

Light Engine and Control Gear Options

- High output, high efficacy LED chip set optimised for recessed panel options
- >80 CRI 4000°K
- Energy efficient fixed output control gear as standard
- Dimming option – DALI

Materials

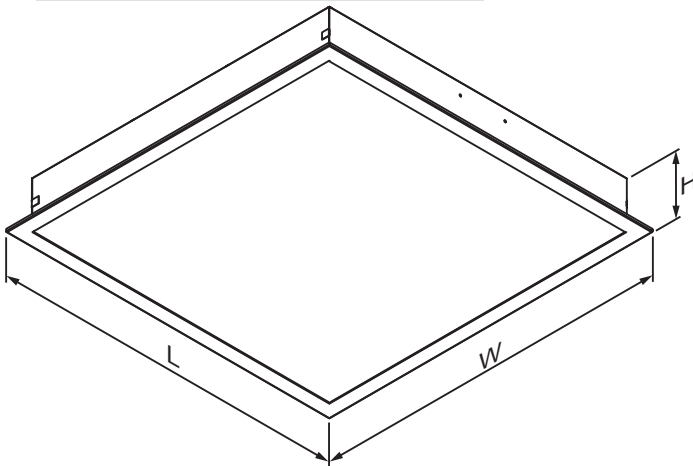
- Body - welded, full box steel construction, powder coated in RAL9016 finish
- Panel optic – acrylic microprism and dispersal diffuser combination with 65° cut-off angle characteristics
- Panel frame – monolithic seamless steel construction, powder coated in RAL9016 finish

Installation Notes

- Suitable for exposed 'T' and some "half tee" metal pan ceilings
- Order side support bracket set for 'draw up' applications (**ordered separately**) TALP625BK
- Rear socket and plug (included) for rapid installation
- May aid lighting scheme design to comply with BS EN 12464-1

Dimensions

Product	L (mm)	W (mm)	H (mm)
Taliska P 625	622	622	92



Catalogue Numbers

Variant	Lumen		Wattage (w)	Llm/cW	Cat No	Weight (kg)
	Output					
2400 lm	2428		23.6	102.8	TALP625244KZ	5.1
3400 lm	3355		33.9	98.7	TALP625344KZ	5.1
4200 lm	4231		45.3	95.1	TALP625424KZ	5.1

For DALI Dimming option replace character Z with DD, e.g. TALP625244KZ becomes TALP625244KDD

For further information, contact our Technical Support and Application department on +44 (0) 1302 303240 or email LightingTechnicalUK@Eaton.com

Llm/cW = luminaire lumens per circuit watt

Accessories

Description	Cat No
TALISKA P 625 BEARER KIT (2 bearer brkts)	TAL625BK

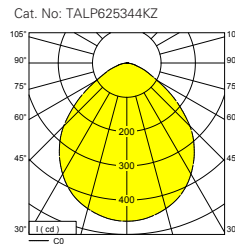
Options

- We offer a range of product support contracts to aid commissioning, reduce your maintenance costs, comply with legislative test requirements and increase the lifespan of your lighting equipment

Specification

To specify state: Recessed back-lit LED luminaire, of full box welded construction with post coat powder paint, RAL9016 finish, for lay-in installations, with acrylic microprism and dispersal diffuser combination and high efficiency LED modules as Eaton's Taliska P range part no _____

Photometric Data



LO 3355 lm
SHR nom: 1.50
SHR max: 1.53

Reflectances			Room index								
C	W	F	0.75	1	1.25	1.5	2	2.5	3	4	5
70	50	20	70	78	84	88	94	98	101	104	107
70	30	20	63	71	78	83	90	94	97	101	104
70	10	20	59	67	74	79	86	90	94	98	102
50	50	20	68	76	82	86	91	95	97	101	103
50	30	20	62	70	77	81	87	91	94	98	100
50	10	20	58	66	73	77	84	88	91	96	98
30	50	20	67	74	80	84	89	92	94	97	99
30	30	20	62	69	75	80	85	89	91	95	97
30	10	20	58	65	72	76	82	86	89	93	95
0	0	0	56	63	69	74	79	83	85	89	91
BZ-class			2	2	2	2	2	2	2	2	2