

Pauluhn DFL hi-lumen LED floodlights

39% lighter than the previous design and the same small footprint as our existing Pauluhn DFL 11L & 13L models.

Pauluhn DFL hi-lumen LED floodlights are designed to provide full-spectrum, crisp, white light. Two versions of the DFL are available, in 20,500 and 25,500 lumen models, providing ideal solutions for a wide range of drilling applications.

Model number	Nominal lumens	Wattage*	Equivalent MH luminaire	Typical energy savings/lifetime
DFLA20L	20,500	175	600W-750W	Up to 78% reduction in energy costs and 120,000 hours of continuous operation!
DFLA25L	25,500	216	750W-1000W	

*UNV1 at 120 VAC.

Primary applications

- Platform and perimeter lighting for land and marine drilling rigs
- Hazardous outdoor area lighting in land-based and offshore rigs; areas include: derrick, mast, SCR house, top drive, operator's house, pump and power stations

Design features

Rugged design - Engineered to perform in ambient temperatures from -40°C to +55°C.

High efficiency - Engineered to deliver 117+ lumens per watt.

Full-frame yoke* - Designed to utilize the SFA6 slipfitter and SWB6 wall mount bracket, making it ideal for retrofit or new installations.

Custom optics - Standard 7x6 pattern provides maximum light distribution.

5 year fixture warranty†

* SFA6 slipfitter and SWB6 wall mount bracket sold separately.

† Refer to page 2 of the authorized distributor price book for Crouse-Hinds standard Terms and Conditions.



Electrical ratings

Model number	Input power (watts)	Input amps at 100-277 VAC	DFLA20L and DFLA25L
DFLA20L	171 - 175	1.76 - 0.67	Voltage range, VAC 100-277V at 50/60 Hz, 347/480V at 60 Hz
DFLA25L	204 - 216	2.18 - 0.80	Voltage range, VDC 127-300V at 50/60 Hz
			Power factor >0.90

Certifications and compliances

- Class I, Division 2, Groups A, B, C, D
- Class I, Zone 2
- Class II, Division 1, Groups E, F, G
- Type 4X, IP66
- UL844; UL1598; UL1598A
- CSA C22.2 No. 137

Weight and dimensions

	Weight (lbs.)	Length (in.)	Width (in.)	Height (in.)
All models	31.8	15.5	7.0	12.0

Ordering information

Part number example

DLFA20LCY/UNV1 76 S891 BZ

Pauluhn DFL floodlight, 20,500 lumens, cool white, yoke mount, 100-277 VAC driver, ¾" NPT entry, diffused glass lens, bronze paint

DLFA 20L C Y /UNV1 76 S891 BZ

Light source/intensity

20L	20,500 nominal lumens
25L	25,500 nominal lumens

Color temperature

C	5000K, 70 CRI (cool white)
W	3000K, 80 CRI (warm white)

Mount

Y	Yoke
----------	------

Voltage

/UNV1	100 - 277 VAC, 50/60 Hz; 127 - 300 VDC
/UNV34	347 - 480 VAC, 50/60 Hz

Optical distribution

76	7x6 floodlight pattern optics
33*	3x3 floodlight pattern optics

*Consult factory for availability.

Entries

BLANK	¾" NPT
M20	20mm
M25	25mm

Paint

BLANK	Gray
BZ	Bronze
WH	White

Lens material

S891	Diffused glass lens
S903*	Polycarbonate lens

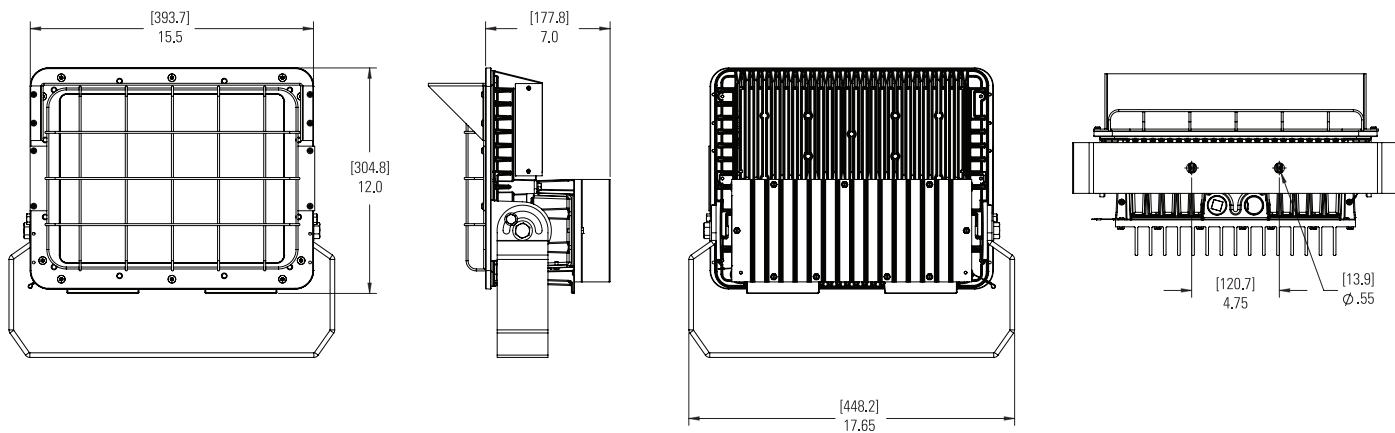
*Consult factory for availability.

Accessories (ordered separately)

BLHN2	Bull horn, 2 tenon, gray
BLHN-BZ2	Bull horn, 2 tenon, bronze
BLHN-WH2	Bull horn, 2 tenon, white
BLHN3	Bull horn, 3 tenon, gray
BLHN-BZ3	Bull horn, 3 tenon, bronze
BLHN-WH3	Bull horn, 3 tenon, white

DSV2	Bolt-on visor
P62	Bolt-on wire guard
SC831	Safety cable
SFA6	Slipfitter
SWB6	Slipfitter wall mount

Dimensions



Eaton
1000 Eaton Boulevard
Cleveland, OH 44122
United States
Eaton.com

Eaton's Crouse-Hinds
1201 Wolf Street
Syracuse, NY 13208
Crouse-Hinds.com

© 2017 Eaton
All Rights Reserved
Printed in USA
Publication No. 5358-1117
November 2017

Eaton is a registered trademark.
All other trademarks are property
of their respective owners.



Powering Business Worldwide