

Pauluhn DFL LED floodlights

Pauluhn DFL LED floodlights are designed to provide full-spectrum, crisp, white light for maximum visibility. Three versions are available, from 11,000 to 15,000 lumens, providing ideal solutions for a wide range of drilling applications.

Primary applications

- Platform and perimeter lighting for land and marine drilling rigs
- Hazardous outdoor area lighting in land-based and offshore rigs; areas include: derrick, mast, SCR house, top drive, operator's house, pump and power stations

Model number	Nominal lumens	Wattage*	Equivalent HID luminaire	Typical energy savings/lifetime
DFL11L	11,107	99	250W-320W	Up to 70% reduction in energy costs and 120,000 hours of continuous operation
DFL13L	13,100	112	320W-400W	
DFL51L	15,181	131	450W	

* UNV1 at 120 VAC.

Design features

Rugged design - Engineered to perform in ambient temperatures up to +55°C and as low as -40°C.

High efficiency - Engineered to deliver up to 112+ lumens per watt.

Full-frame yoke - Designed to utilize the SFA6 slipfitter, SWB6 wall mount bracket and SC30H safety cable, making it ideal for retrofit or new installations.

Custom optics - Standard 7x6 pattern provides maximum light distribution.

Certifications and compliances

NEC and CEC:

- Class I, Division 2, Groups A, B, C, D
- Class I, Zone 2, Ex nA II
- Type 4X, IP66

CSA Standard:

- CSA C22.2 No. 137

UL Standards:

- UL844; UL1598; UL1598A; UL8750



DFL11L – 15L
Smaller footprint and reduced weight versus previous generation floodlights.

Electrical ratings

Model number	Input power (watts)	Input amps at 120-277 VAC		
DFL11L	98.8 - 99.9	0.83 - 0.37	Voltage range, VAC	100-277V at 50/60 Hz, 347/480V at 60 Hz
DFL13L	111.8 - 112.4	0.94 - 0.42		Voltage range, VDC
DFL15L	131.4 - 131.5	1.10 - 0.48	Power factor	

Weight and dimensions

	Weight (lbs.)	Length (in.)	Width (in.)	Height (in.)
All models	31.8	15.5	7.0	12.0



Powering Business Worldwide

Ordering information

Part number example

DFL11LCY/UNV1 76

DFL

Model

DFL NEC/CEC rated model

11L

Light source/intensity

11L 11,107 nominal lumens

13L 13,100 nominal lumens

15L 15,181 nominal lumens

C

Color temperature

C 5000K, 70 CRI (cool white)

Y

Mount

Y Yoke

/UNV1

76

Optical distribution

76 7x6 floodlight pattern optics

Voltage

/UNV1 100 to 277 VAC, 50/60 Hz; 108 to 250 VDC

/UNV34 347 to 480 VAC, 50/60 Hz

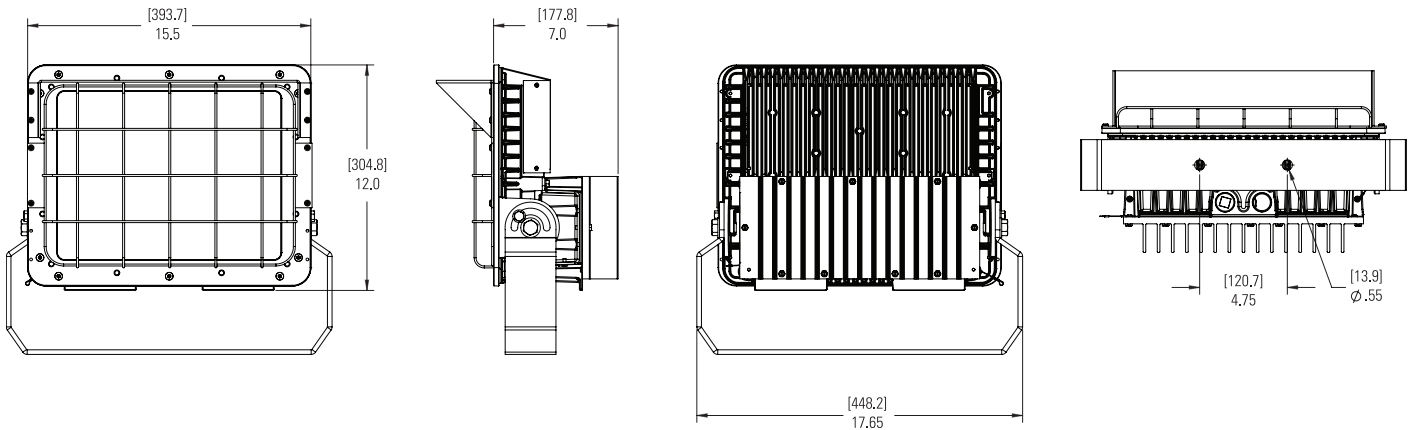
Accessories (ordered separately)

SFA6 2" pole mount slipfitter adapter

SWB6 Steel wall bracket

SC30H 48" stainless steel safety cable

Dimensions



Eaton
1000 Eaton Boulevard
Cleveland, OH 44122
United States
Eaton.com

Eaton's Crouse-Hinds
1201 Wolf Street
Syracuse, NY 13208
Crouse-Hinds.com

© 2017 Eaton
All Rights Reserved
Printed in USA
Publication No. 5376-0917
September 2015

Eaton is a registered trademark.

All other trademarks are property of their respective owners.