



UX LED exit signs

Eaton's Crouse-Hinds UX LED exit signs are designed specifically for marking escape routes and exits in harsh and hazardous environments.

The UX is NEMA4X and IP66 rated, approved for temperatures from -30°C to 50°C and Class I, Division 2 certified. The housing is die cast aluminum with a vandal proof shield. The LED source is field configurable for red or green output. The self powered version comes standard with a nickel cadmium battery and self-diagnostics.

Primary applications:

- Where illuminated exit signs are required
- In locations deemed hazardous due to the presence of flammable vapors or gases
- In areas where the presence of gases or vapors may become present during an abnormal, unusual or accidental condition
- Outdoor and wet applications
- Where required by the National Electrical Code®, the Life Safety Code® or other applicable codes

Features:

- Wide operating temperature range (UX6: -40°C to 50°C ; UX7: -30°C to 50°C)
- Die-cast aluminum housing available in silver, black or white color
- Field configurable for red or green letters and chevrons
- Pendant or universal surface mounting
- Self diagnostics standard with self powered versions
- Heavy duty injection molded polycarbonate lens protects against impact and corrosion
- Brown-out protection protects battery and reduces labor
- Heavy duty aluminum die cast housing protects against impact and chemical resistance



Certifications and compliances

NEC:

- Class I, Division 2, Groups A, B, C, D
- NEMA 4X, Outdoor Wet Locations suitability
- NEC/OSHA

UL Standards:

- UL50; UL844; UL924; UL1598A

IEC:

- IP66

NFPA:

- Life Safety Code NFPA101® - Section 5-9 (*Emergency Lighting*)

National Sanitation Foundation:

- NSF Splash Zone (*for food processing*)



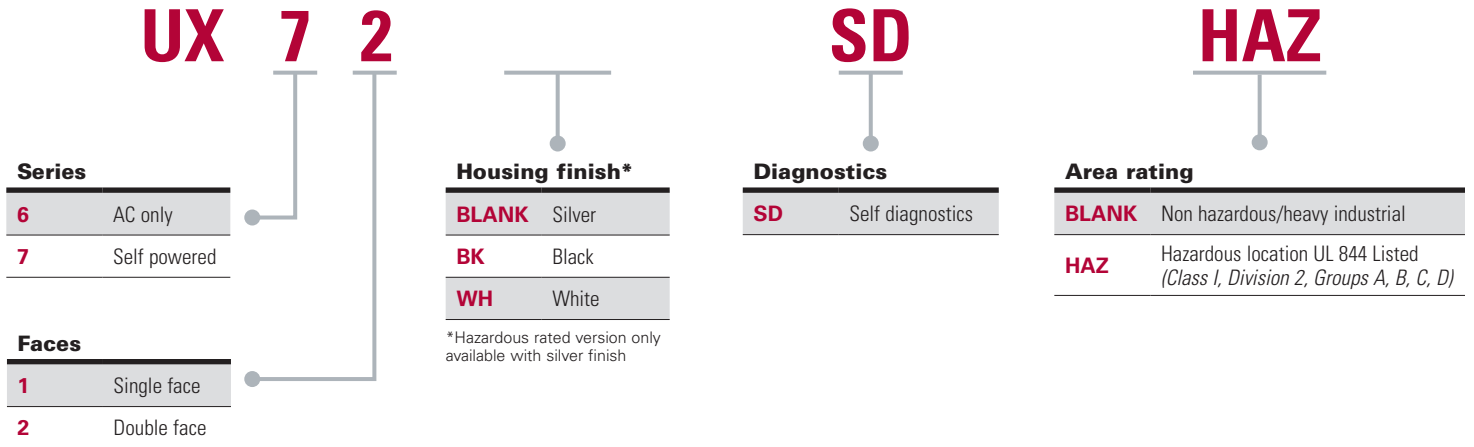
Powering Business Worldwide

Ordering information

Part number example

UX72SDHAZ

UX exit light, self powered, double face, Silver, self diagnostic, rated Class I, Division 2, Groups A, B, C, D



Electrical ratings:

UX6	Input voltage		UX7	Input voltage	
	120V	277V		120V	277V
Input current	0.09A	0.09A	Input current	0.10A	0.10A
Input power	1.1 watts	1.3 watts	Input power	1.4 watts	1.6 watts
Power factor	0.11	0.6	Power factor	0.12	0.06

Electronics:

- Nickel cadmium battery standard on self powered units
- Dual voltage input is standard

Materials:

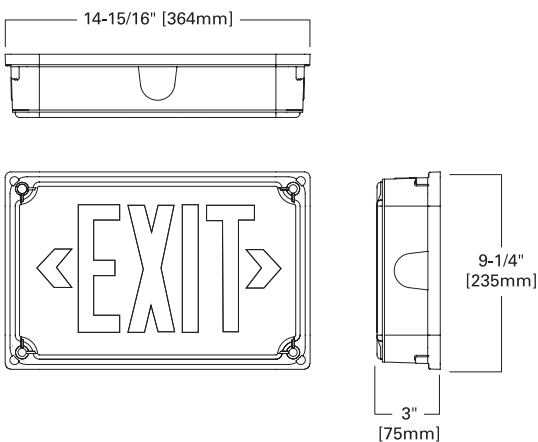
- Housing – die cast aluminum,
- Lens – polycarbonate
- Hardware – stainless steel

Self diagnostics:

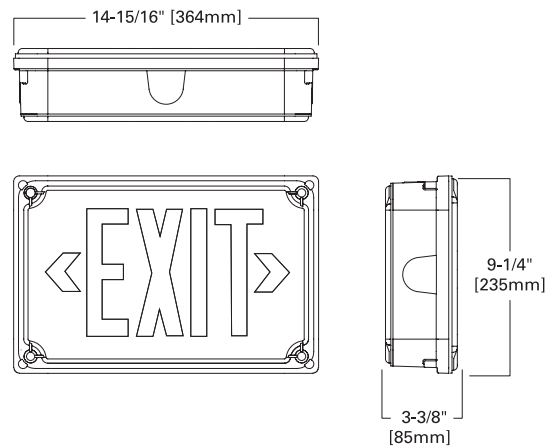
- Self diagnostics software automatically performs all tests required by UL924 and NFPA101

Dimensions:

Single face



Double face



Eaton
1000 Eaton Boulevard
Cleveland, OH 44122
United States
Eaton.com

Eaton's Crouse-Hinds
1201 Wolf Street
Syracuse, NY 13208
Crouse-Hinds.com

© 2018 Eaton
All Rights Reserved
Printed in USA
Publication No. 5404-1018
October 2018

Eaton is a registered trademark.

All other trademarks are property of their respective owners.