



## N2LPS M2 Light-Pak™ LED emergency lighting systems

N2LPS Light-Pak emergency lighting systems are designed specifically for egress and emergency illumination in the most demanding harsh and hazardous environments.

### Primary applications:

- To provide reliable illumination for egress areas during failure or interruption of power to the normal lighting system
- To illuminate machinery or panels during a loss of AC power
- In areas where flammable gases or vapors may become present due to abnormal, unusual or accidental conditions
- In manufacturing plants, refineries, petrochemical and chemical plants, waste and sewage treatment facilities, oil terminals, food processing facilities, breweries and other industrial manufacturing or process industry facilities subject to wet or corrosive conditions
- Where moisture, dirt, dust or corrosion will limit the life and reliability of ordinary emergency lighting systems
- Where required by the National Electrical Code®, the Life Safety Code® or other applicable codes
- In outdoor applications

### Design features and benefits:

**Non-metallic, enclosed, gasketed housing** – Provides corrosion protection in the most extreme environments.

**Durable and marine rated LED lamp head assemblies** – Provide protection against water ingress, corrosion and impact.

**Nickel cadmium battery** – High temperature rated nickel cadmium battery for reliable operation up to 55°C ambient.

**Reduced maintenance costs** – Self-test, monitoring and diagnostics reduce costly maintenance checks.

**Remote mountable lamp heads** – Lamp heads can be mounted independently from the enclosure, allowing you to focus light where you need it.

**Solid state battery charger** – Ensures long life and reliable battery operation. Prevents deep discharge by automatically disconnecting the battery from the luminaire.



### Certifications and compliances

#### NEC and CEC:

- Class I, Division 2, Groups B, C, D; Class I, Zone 2
- Class II, Division 2, Groups F, G (N2LPS only)
- NEMA 4, 4X, marine wet locations suitability

#### UL Standards:

- UL844; UL924; UL1598A

#### CSA Standard:

- CSA C22.2 No. 141-M1985; C22.2 No. 137-M-1981

#### NFPA:

- Life Safety Code NFPA101® - Section 5-9 (Emergency Lighting)



*Powering Business Worldwide*

# Additional specifications and ordering information

## Ordering information:

Model	Description
<b>N2LPSM212222</b>	28W, 12V power supply, (2) 1W LED lamp heads
<b>N2LPSM212220</b>	28W, 12V power supply, less luminaire heads
<b>N2RFM21221</b>	Remote luminaire assembly, (1) LED lamp head
<b>N2RFM21222</b>	Remote luminaire assembly, (2) LED lamp heads
<b>*N2LPSM212222 UX71SDHAZ</b>	6W, 12V power supply with exit sign (single sided)
<b>*N2LPSM212222 UX72SDHAZ</b>	6W, 12V power supply with exit sign (two sided)

\*NEC only

## Options:

Suffix	Description
<b>S931</b>	Breather/drain
<b>S932</b>	External battery disconnect switch

## Weights:

Model	Ibs.	kg.
<b>N2LPSM212222</b>	12.00	7.26
<b>N2LPSM212220</b>	10.00	5.44
<b>N2RFM21221</b>	7.00	3.63
<b>N2RFM21222</b>	8.00	4.08

## Temperature rating:

Model	Class I & II, Division 2
<b>N2LPS (all models)</b>	T6
<b>N2RF (all models)</b>	

Note: ambient temperature at which the Light-Pak system is rated is -20°C to 55°C. Operation at temperatures outside this range will affect the battery life and/or the charging performance.

## Electrical ratings:

### Power supply:

- Input: 120–277 VAC, 50 or 60 Hz; 6 watts max.
- Output: 12 VDC

### LED luminaire heads:

- Voltage: 12 VDC
- Lamp: 1 watt LED, 6 watt maximum
- Maximum 6 lamp heads

## Standard materials:

### Power supply and remote luminaire enclosure:

- Krydon® fiberglass-reinforced polyester

### Exterior hardware:

- Nylon, plastic coated, and stainless steel

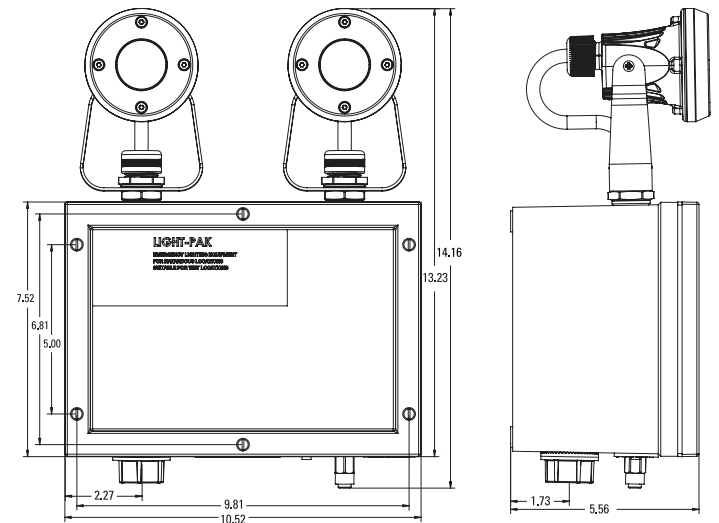
### LED lamp head assembly:

- Epoxy powder coated, aluminum

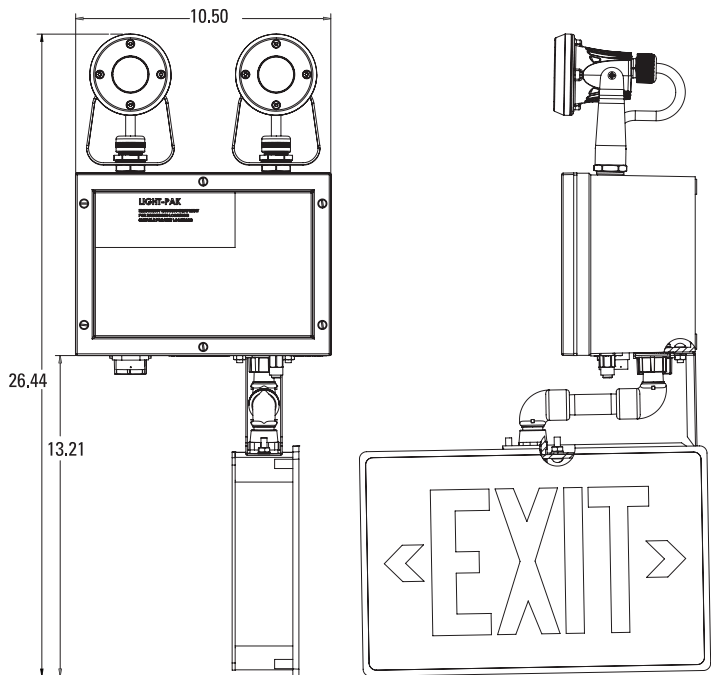
### Cover gasket:

- Hypalon® synthetic rubber

## Dimensions:



All dimensions in inches



All dimensions in inches

**Eaton**  
1000 Eaton Boulevard  
Cleveland, OH 44122  
United States  
Eaton.com

**Eaton's Crouse-Hinds**  
1201 Wolf Street  
Syracuse, NY 13208  
Crouse-Hinds.com

© 2018 Eaton  
All Rights Reserved  
Printed in USA  
Publication No. 5401-1018  
October 2018

Eaton is a registered trademark.

All other trademarks are property of their respective owners.