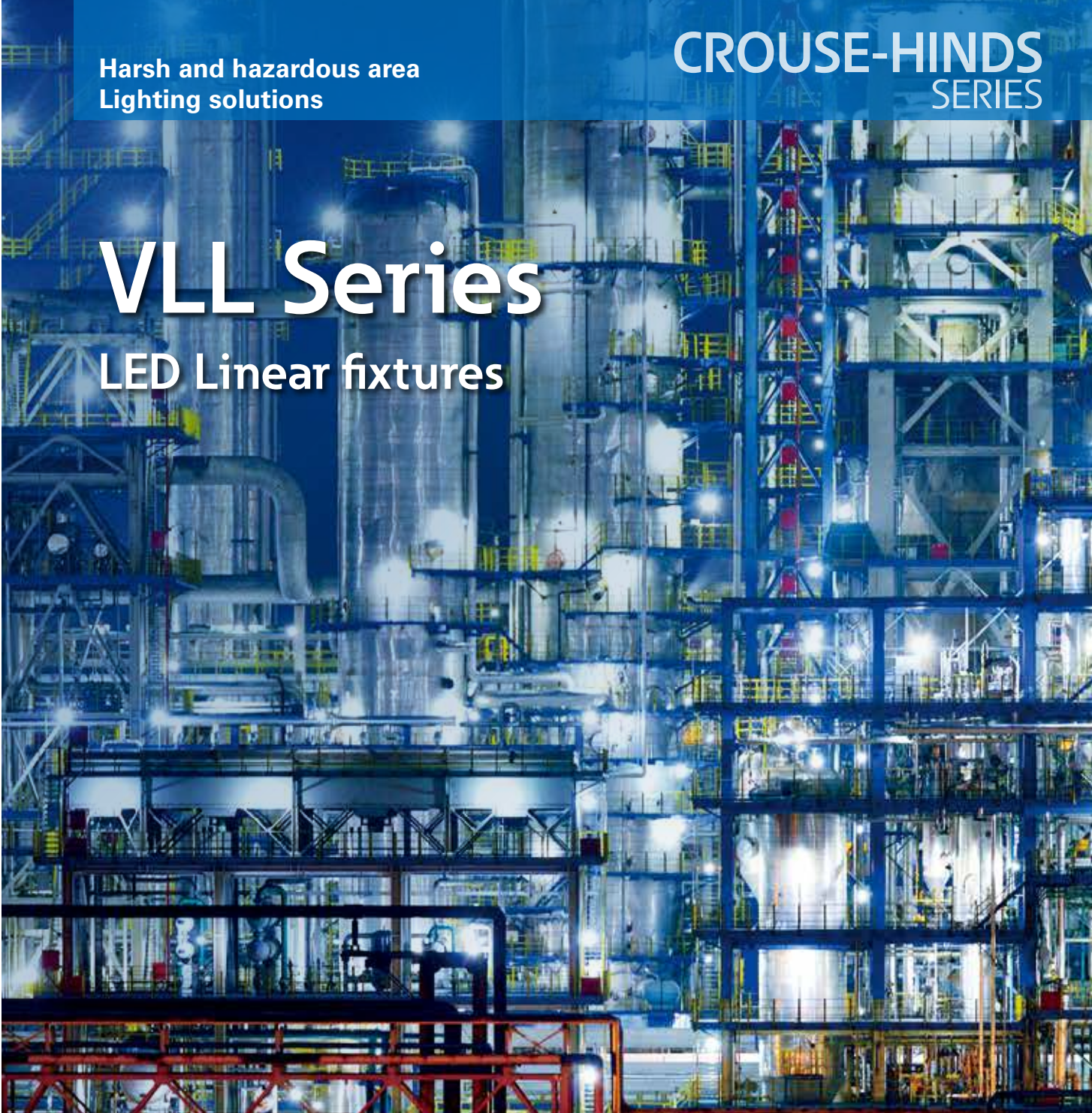


Harsh and hazardous area
Lighting solutions

CROUSE-HINDS
SERIES

VLL Series

LED Linear fixtures



Safe. Reliable. Efficient.

EATON

Powering Business Worldwide



Introducing VLL linear LED fixture

Linear LED fixtures for use in Zone 1 and 21 hazardous areas.

Manufactured with a high-strength, glass-reinforced polyester enclosure and a polycarbonate cover, the VLL LED is engineered for long-life reliability and performance in areas prone to impact, corrosion, high vibration and adverse weather.

VLL LED luminaires provide an ideal solution for both indoor and outdoor areas, allowing for seamless retrofitting of existing fluorescent fixtures



Benefits:



EFFICIENCY

- Lumen efficacy up to 130~lm/w reduces energy consumption and delivers cost savings.
- Three lumen packages, from 3100lm to 7400lm, provide a versatile solution for different illumination applications.



SAFETY AND RELIABILITY

- Rugged design suitable for extremely harsh environments, with an IP66 rating that ensures protection even under vibrations.



EASY INSTALLATION AND MAINTENANCE

- Retrofit- friendly with optional sliding rail mounting system, allowing brackets to be easily adjusted to existing mounting holes.
- The inclusion on an optional inhibit switch makes it suitable for offshore unmanned platforms.

VLL linear LED fixture

Features & specifications

CEAG VLL LED Luminaires with high-quality LED chips, have extremely long lifespan. Multiple versions of the LED are available, providing ideal solutions for indoor or outdoor areas to retrofit existing fluorescent fixtures.

Model*	Nominal* lumens	Wattage	Efficacy	Equivalent fluorescent
VLL-3L	3100	<25W	>130~lm/W	2x18W
VLL-5L	6400	<50W	>130~lm/W	2X36W
VLL-7L	7400	<60W	>130~lm/W	2X54W

*Lumen values apply to 5700K light colour, 70 CRI fixtures. Lumen output may vary slightly for different models.

*Tolerance+/-10%

*Optional emergency versions available (25% of standard lumen output for 1.5-hours or 3-hours)

Application

- Suitable for locations that require continuous and consistent light levels in extreme ambient temperatures
- Areas requiring frequent switching on and off of lights
- Where flammable vapours, gases, ignitable dusts, fibres or flyings are present; indoors or outdoors
- Where extremely corrosive, wet, dusty, hot and/or cold conditions exist
- Marine, wet locations and hose-down environments
- Manufacturing plants; heavy industrial, chemical, petrochemical or pharmaceutical facilities; platforms; loading docks; tunnels

Technical data

IECEx-certification of conformity	IECEx NEP 21.0020X, SEV 22 ATEX 0584X, IECEx SEV 22.0001X
Ex Marking	Ex db eb mb IIC T5 Gb Ex tb IIIC T80°C Db
EC-Type Examination Certificate	SEV 22 ATEX 0584X
Marking accd. to 2014/34/EU	EX II 2 G Ex eb mb IIC T6... T5 Gb EX II 2 D Ex tb IIIC T80°C Db
Ambient temp	Normal:-40°C to 55°C for 3L, 5L,-40°C to 50°C for 7L
Rated input volt	100-240VAC 50/60Hz, DC 105-250V
Power factor	>0.9
Colour Temperature	5700K as standard, 3000K,4000K,5000K is available.
CRI	Cool white>70 as standard, CRI>80 is optional
System watt*	VLL 3L series: <30W VLL 5L series: <55W VLL 7L series: <65W
Lumen output	VLL 3L series: 3100Lm VLL 5L series: 6400Lm VLL 7L series: 7400Lm
Material	GRP and PC
Weight	VLL 3L series Normal and EM: 4.3Kg / 5.8Kg VLL 5L /7L series Normal and EM: 7.5Kg / 9.8Kg
Terminals	Max 6mm ²
Entry Size	M20 as standard, M25 is available.
Out line dimension (HxWxL)	VLL 3L series: 732x178x125 VLL 5L /7L series:1333x178x125
Backup duration & Lumen percentage	Standard version EM1=1.5h,25% output. EM2=3h, 25% output is available.
IP(IEC60598)	IP66

*Isolation switch is available as optional

*Tolerance+/-5%



Standard materials

- Enclosure-Glass Fibre Reinforced Plastic (GRP)
- Diffuser-Polycarbonate (PC)
- Gaskets-Silicone
- Fasteners-All external fasteners stainless steel

LED system:

- Cold white 5700K
- Optional 3000K, 4000K, 5000K
- Fog diffuser comes with standard protection against harmful glare.
- Rated life of 5 years up to 50/55°C provides long term, low maintenance operation.

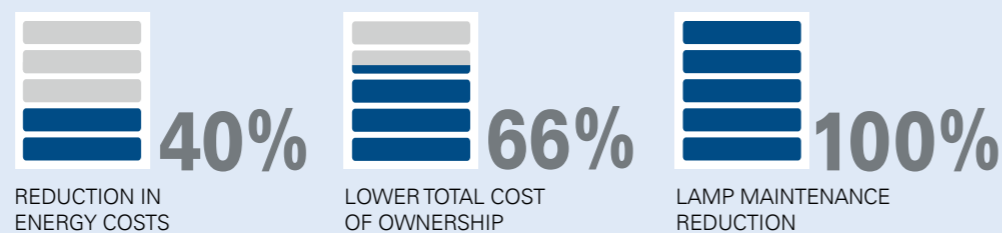
Certifications and compliances

- Marking accd.to IECEx
Ex db eb mb IIC T5 Gb or Ex eb mb IIC T5 Gb
/ Ex db eb ib mb IIC T5 Gb (EM)*
Ex tb IIIC T80°C Db
- Marking accd.to ATEX
II2 G Ex eb mb IIC T5 Gb
II2 G Ex db eb mb IIC T5 Gb
II2 G Ex db eb ib mb IIC T5 Gb(EM)
II2 D Ex tb IIIC T80°C Db

LED vs. fluorescent savings at a glance

Why are so many facilities making the switch from fluorescent to LED? The numbers say it all.

VLL-5L vs. x 36W Fluorescent



VLL linear LED fixture

Ordering Information

Product Type	Colour Temp ¹⁾	Terminals	Throughwiring ²⁾		Entry Threaded	Ex e Threaded Plug ³⁾	Part No. ⁴⁾
			Single-ended	Twin-ended			
VLL 3L							
VLL-3L-57-1/6-120-N	5700K	1x6	●	-	2xM20	1	CCL2004126A
VLL-3L-57-2/6-220-N		2x6	-	●	4xM20	2	CCL2004130A
VLL-3L-57-1/6-125-N		1x6	●	-	2xM25	1	CCL2004128A
VLL-3L-57-2/6-225-N		2x6	-	●	4xM25	2	CCL2004132A
VLL 5L							
VLL-5L-57-1/6-120-N	5700K	1x6	●	-	2xM20	1	CCL2004174A
VLL-5L-57-2/6-220-N		2x6	-	●	4xM20	2	CCL2004178A
VLL-5L-57-1/6-125-N		1x6	●	-	2xM25	1	CCL2004176A
VLL-5L-57-2/6-225-N		2x6	-	●	4xM25	2	CCL2004180A
VLL 7L							
VLL-7L-57-1/6-120-N	5700K	1x6	●	-	2xM20	1	CCL2004222A
VLL-7L-57-2/6-220-N		2x6	-	●	4xM20	2	CCL2004226A
VLL-7L-57-1/6-125-N		1x6	●	-	2xM25	1	CCL2004224A
VLL-7L-57-2/6-225-N		2x6	-	●	4xM25	2	CCL2004228A

¹⁾ Tolerance +/- 10%
²⁾ Through wiring 6 x 2.5 mm²
³⁾ Standard version without cable gland, if need, please order separately
⁴⁾ Contact your local sales representative for special requirements.

Metallic Cable Glands (Order Separately)

ADE-1F2

Catalog #	Metric Thread Size	Cable Types	Cable sealing range - Min	Cable sealing range - Max
ADE1M201NPN	M20	Non-armoured,	4.5	8.5
ADE1M202NPN	M20	Marine shipboard, Type P, Tray cable	7.0	12.0
ADE1M203NPN	M20	(armoured)	10.0	16.0



ADE-4F

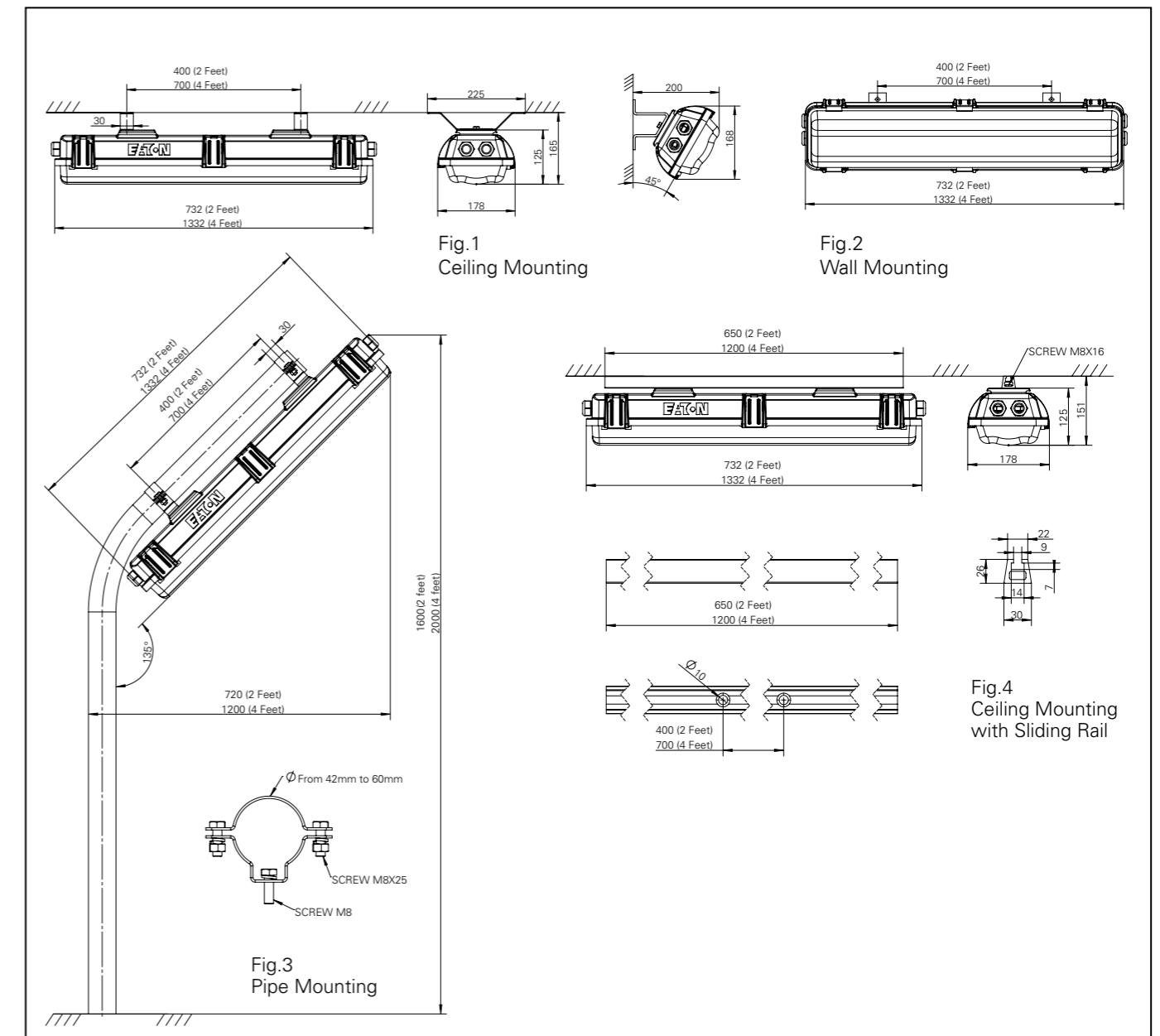
Catalog #	Metric Thread Size	Cable Types	Cable sealing range inner sheath		Cable sealing range outer sheath		Armor	
			Min.	Max.	Min.	Max.	Min.	Max.
ADE4M201NPN	M20	SWA, SWB, STA, Braided marine shipboard,	4.5	8.0	7.0	12.0	0.2	0.9
ADE4M202NPN	M20	Type P; Leadsheathed cable (with addition of earthing washer)	7.0	12.0	10.0	16.0	0.2	1.3
ADE4M203NPN	M20		10.0	15.5	13.5	21.0	0.2	1.3

ADE-1F2 and ADE-4F catalog numbers are for nickel-plated brass; For other material options, please contact our sales representative.

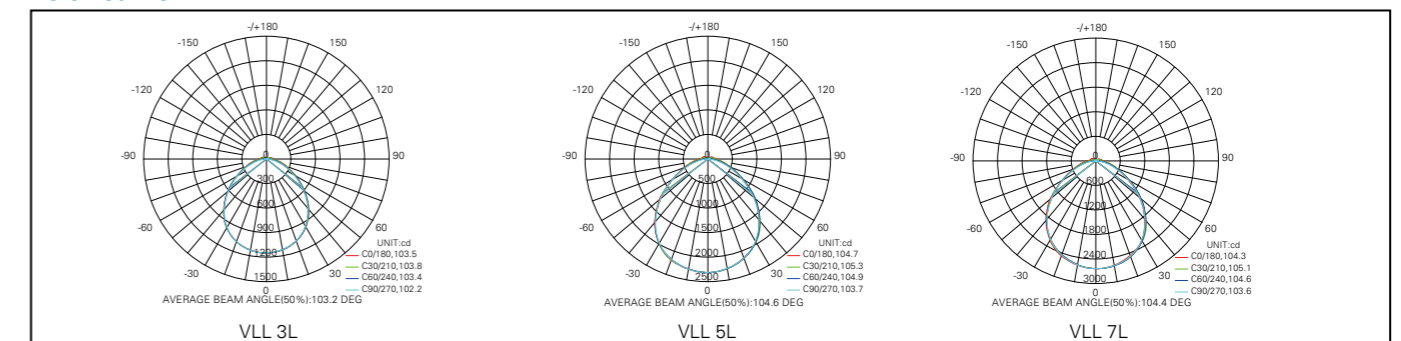


VLL linear LED fixture

Dimensions (mm)

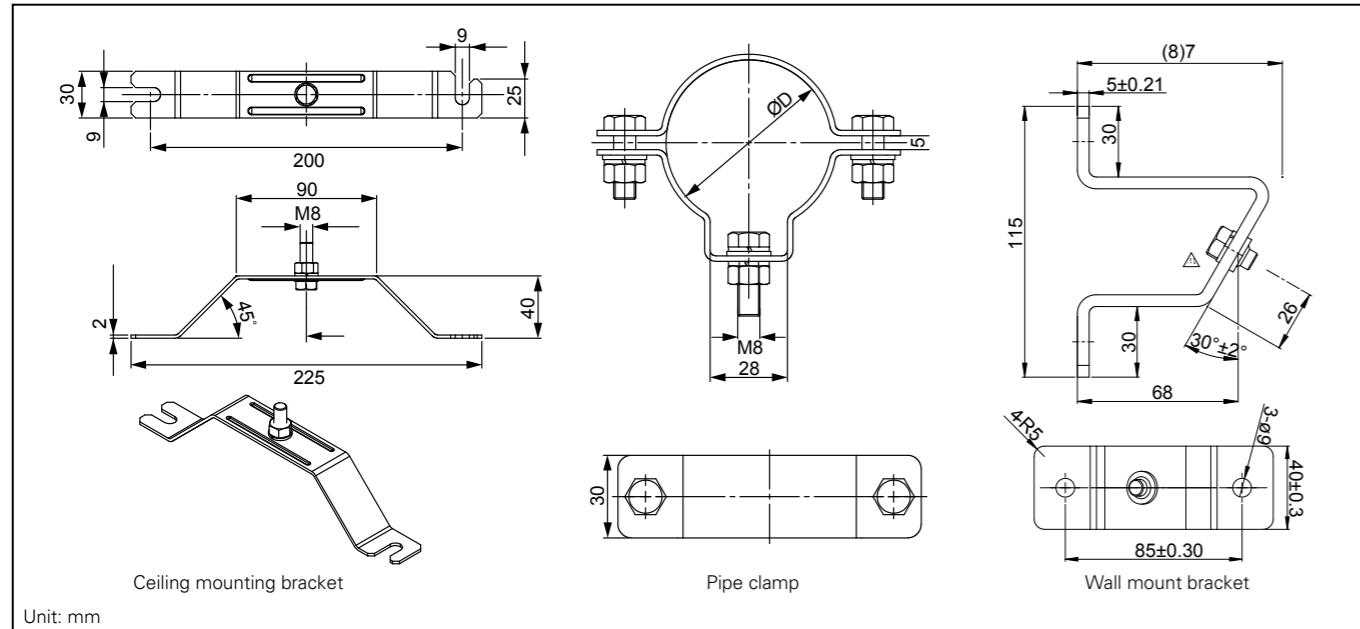


Polar curve



VLL linear LED fixture

Mounting accessories (to be ordered separately)



Pipe mounting

Part No	Description	Quantity per luminaire
CHR5218	Pipe clamp assy D42 316S/S	2
CHR5221	Pipe clamp assy D51 316S/S	2

Wall mounting

Part No	Description	Quantity per luminaire
CHR5248	Wall suspension 316S/S	2

Ceiling mounting

Part No	Description	Quantity per luminaire
CHR5245	Ceiling mounting BKT 316S/S	2
CHLMT2372-01	Mounting sliding rail for 2 feet	1
CHLMT2372-02	Mounting sliding rail for 4 feet	1



Eaton's Crouse-Hinds, B-Line and Oil & Gas Division

The safety you rely on.

See the complete offering of hazardous and industrial products at www.crouse-hinds.de.

U.S. (Global Headquarters): Eaton's Crouse-Hinds Business

1201 Wolf Street
Syracuse, NY 13208

(866) 764-5454
FAX: (315) 477-5179
FAX Orders Only:
(866) 653-0640

CrouseCustomerCTR@Eaton.com

For more information:

If further assistance is required, please contact an authorized Eaton Distributor, Sales Office, or Customer Service Department.

Australia
Phone +61-2-8787-2777
Fax +61-2-9609-2342
crousehindsanz@eaton.com

China
Phone +86-21-2899-3600
Fax +86-21-2899-4055
ECHsales@eaton.com

Great Britain
Phone +44-247-630-89 30
Fax +44-247-630-10 27
sales5@eaton.com

India
Phone +91-124-4683888
Fax +91-124-4683899
cchindia@eaton.com

Canada
Toll Free +1-800-265-0502
Fax +1-800-263-9504
Fax orders only:
+1-866-653-0645

Korea
Phone +82-2-3484-6783
Fax +82-2-3484-6778
CCHK-sales@cooperindustries.com

Mexico/Latin America/
Caribbean
Phone +52-555-804-4000
Fax +52-555-804-4020
mxmercadotecnia@cooperindustries.com

Spain
Phone +34-9-37362710
Fax +34-9-37835055
sales.CCH.es@cooperindustries.com

Middle East (Dubai)
Phone +971-4-427-2522 / 2500
Fax +971-4-429-8521
CHMEsales@Eaton.com

The Netherlands
Phone +31-10-2452145
Fax +31-10-2452121
CHRD_mail@Eaton.com

Norway
Phone +47-32-244600
Fax +47-32-244646
CHLloffice@eaton.com

Singapore:
Phone +65-6645-9888
Fax +65-6297-4819
CHSI-Sales@Eaton.com

Turkey
Phone +90-216-464-20-20
Fax +90-216-464-20-10
infoEGTurkey@eaton.com

Russia
Phone +7-495 510-24-27
Fax +7-495 510-24-28
info@cooper.ru.com
www.cooper-russia.ru

Eaton's Crouse-Hinds Division

Neuer Weg – Nord 49
D-69412 Eberbach

Phone +49 (0) 6271/806-500
Fax +49 (0) 6271/806-476
E-mail info-ex@eaton.com
Internet www.crouse-hinds.de

Eaton
1000 Eaton Boulevard
Cleveland, OH 44122
United States
Eaton.com

© 2021 Eaton Corporation
All Rights Reserved
Printed in Germany
Publication No. BR 300 8000 2297
Nov. 2022

Changes to the products, to the information contained in this document, and to prices are reserved; so are errors and omissions. Only order confirmations and technical documentation by Eaton is binding. Photos and pictures also do not warrant a specific layout or functionality. Their use in whatever form is subject to prior approval by Eaton. The same applies to Trademarks (especially Eaton, Moeller, and Cutler-Hammer). The Terms and Conditions of Eaton apply, as referenced on Eaton Internet pages and Eaton order confirmations.

Eaton's Crouse-Hinds Division
1201 Wolf Street
Syracuse, NY 13208
(866) 764-5454
CrouseCustomerCTR@Eaton.com

Eaton is a registered trademark.
All other trademarks are property of their respective owners.