



## Pauluhn™ Summit

High bay fluorescent luminaire for food & beverage and hazardous areas

The Pauluhn Summit is the perfect high bay fixture for medium duty hazardous locations. The rugged Summit is engineered to shed debris, and is IP66 rated for moisture protection in hose down applications.

### Applications:

- Locations requiring continuous and consistent light levels
- Food and beverage processing and storage
- Power generation facilities
- Water/wastewater treatment facilities
- Pharmaceutical facilities

### Key features & benefits:

- High lumen output: up to 30,000 lumens
- Complete portfolio of T5, T8 and T5HO fluorescent models
- Versatile mounting options
- NSF rated
- Operating ambient: -25°C to +55°C
- Optimized debris shedding design
- USDA compliant
- High pressure hose down rated

### Certifications:

- Class I, Division 2, Groups A, B, C, D
- Class II, Divisions 1 & 2, Groups F, G
- Class III
- Type 4 (HPAB only); Type 4X (HPSB only)
- IP66
- UL844 Hazardous Locations
- UL924 Emergency Lighting Equipment (CSA-US)
- UL1598 Luminaires
- CSA Class 3428 03
- CSA Class 3428 83
- NSF/ANSI 2-2010 Splash Zone

### Materials:

#### Housing:

- Type 5052 aluminum (HPAB only)
- Type 304 stainless steel; Type 316 stainless steel (optional) (HPSB only)

#### Lens:

- Acrylic; polycarbonate and tempered glass (optional)



Powering Business Worldwide

# Ordering information

## Part Number Example

### HPA46570EM1

HPA (aluminum with quick release), 4 foot, 6 lamps, F54 (T5HO mini bi-pin), 120-277V 50/60 Hz, pendant mounting, emergency battery back-up ballast

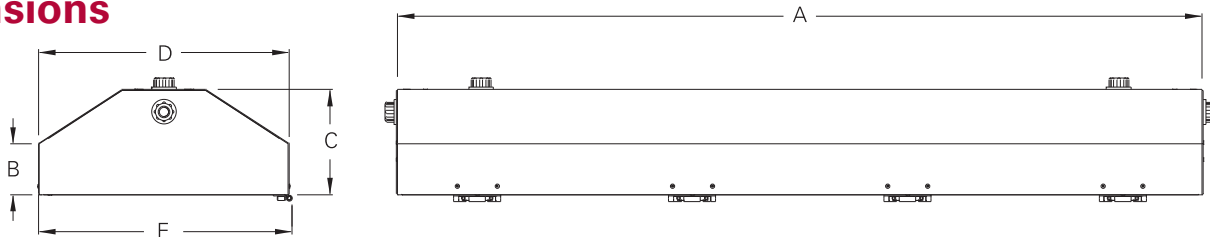
<b>HPA</b>	<b>4</b>	<b>6</b>	<b>5</b>	<b>7</b>	<b>0</b>	<b>EM1</b>	
<b>Series</b>			<b>Lamp types</b>			<b>Options</b>	
<b>HPA</b>	Quick release (aluminum)		<b>1</b>	2 ft. F17 or 4 ft. F32 (T8 bi-pin)		<b>EM1*</b>	Emergency battery back-up ballast, all areas, 700 lumens
<b>HPAB</b>	Bolted door (aluminum)		<b>5</b>	2 ft. F24 or 4 ft. F54 (T5HO mini bi-pin)		<b>EMT1*</b>	Emergency battery back-up ballast, test switch
<b>HPS</b>	Quick release (stainless steel)		<b>6</b>	2 ft. F14 or 4 ft. F28 (T5 mini bi-pin)		<b>L</b>	Lamps
<b>HPSB</b>	Bolted door (stainless steel)		<b>7</b>	4 ft. F48 (T8HO RDC)		<b>HR</b>	High reflectance reflector
						<b>G</b>	Tempered glass lens
						<b>P</b>	Polycarbonate lens
						<b>Z</b>	316 stainless steel (HPSB only)
							*For T5 and T5HO, EM ballast is fixed voltage, 120 or 277V, 50/60 Hz.
<b>Length (nominal)</b>			<b>Voltage/frequency</b>			<b>Mounting style</b>	
<b>2</b>	2 foot		<b>6</b>	347V 60 Hz		<b>0</b>	Pendant (2) ½" NPT hubs
<b>4</b>	4 foot		<b>7</b>	120-277V 50/60 Hz		<b>1</b>	Feed through (2) ½" NPT hubs
			<b>9</b>	480V 60 Hz		<b>2</b>	Pendant/feed through (4) ½" NPT hubs
<b>Number of lamps</b>						<b>3</b>	Pendant (2) ¾" NPT hubs
<b>2</b>	2 lamps					<b>4</b>	Feed through (2) ¾" NPT hubs
<b>3</b>	3 lamps					<b>5</b>	Pendant/feed through (4) ¾" NPT hubs
<b>4</b>	4 lamps						
<b>5</b>	5 lamps (aluminum only)						
<b>6</b>	6 lamps (aluminum only)						

## Temperature codes

Temperature code T3C: 55°C maximum ambient; 480 VAC maximum, 50/60 Hz

Lamp type	No. of lamps	Ambient temperature		
		40°C	50°C	55°C
T5	1-6	T3C	T3C	T3C
T5HO	1-6	T3C	T3C	T3C
T8	1-4	T5	T5	T5
T8	5-6	T3C	T3C	T3C
T8HO	1-4	T5	T5	T5

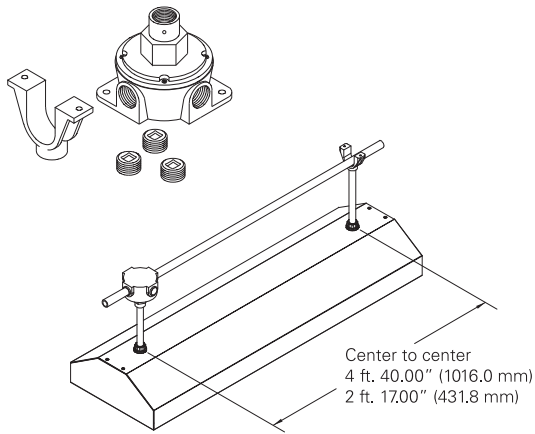
## Dimensions



Nominal length	Dimensions in inches/centimeters					Carton L x W x D (inches)	Nominal weight†	
	A	B	C	D	E		HPAB lbs. (kg.)	HPSB lbs. (kg.)
2 foot	26.59 (67.50)	3.20 (8.10)	6.59 (16.70)	15.72 (39.90)	15.92 (40.40)	28-3/4 x 16-3/8 x 7-1/8	21.00 (9.50)	30.00 (13.61)
4 foot	50.59 (128.50)	3.20 (8.10)	6.59 (16.70)	15.72 (39.90)	15.92 (40.40)	53 x 16-3/8 x 7-1/8	34.00 (15.40)	54.00 (24.50)

†Add 1 lb. for 3 or 4 lamps. Add 2 lbs. for 5 or 6 lamps.

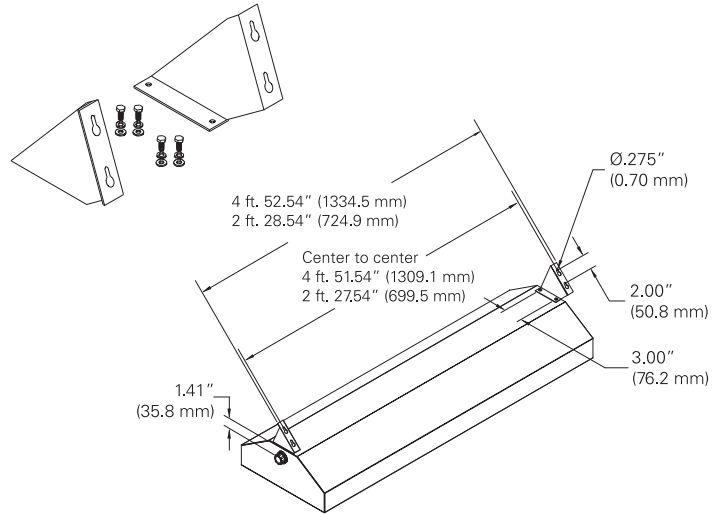
# Mounting options



## HP1095MTK

### Pendant kit

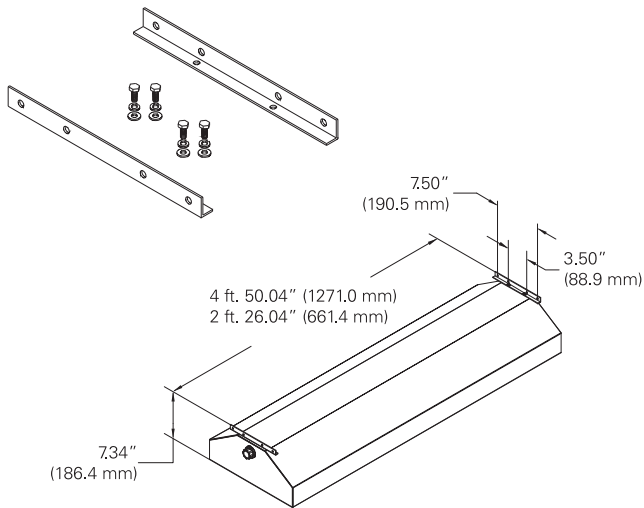
(1) saddle clamp and (1) universal junction box and cover (¾" NPT hubs).



## HP1099MTK

### Fixed wall mount kit

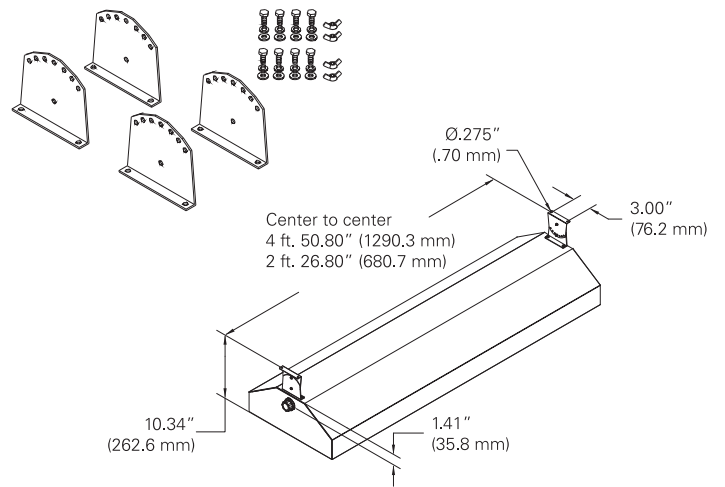
(2) angled stainless steel wall brackets and hardware.



## HP1093MTK

### Chain/cable mount kit

(2) stainless steel chain brackets and hardware.



## HP1097MTK

### Adjustable mount kit

(2) pairs of stainless steel brackets and hardware.

**U.S. (global headquarters):  
Eaton's Crouse-Hinds Division**

1201 Wolf Street  
Syracuse, NY 13208

(866) 764-5454  
FAX: (315) 477-5179  
FAX Orders Only:  
(866) 653-0640

[crousecustomerctr@eaton.com](mailto:crousecustomerctr@eaton.com)

**For more information:**

If further assistance is required, please contact an authorized Eaton Distributor, Sales Office, or Customer Service Department.

**Canada**

Toll Free: 800-265-0502  
FAX: (800) 263-9504  
FAX Orders only: (866) 653-0645

**Mexico/Latin America/Caribbean**

52-555-804-4000  
FAX: 52-555-804-4020  
[ventascentromex@eaton.com](mailto:ventascentromex@eaton.com)

**Europe (Germany)**

49 (0) 6271 806-500  
49 (0) 6271 806-476  
[sales.CCH.de@cooperindustries.com](mailto:sales.CCH.de@cooperindustries.com)

**Middle East**

9714-8066100  
FAX: 9714-8894813  
[chmesales@eaton.com](mailto:chmesales@eaton.com)

**Singapore**

65-6645-9888  
FAX: 65-6297-4819  
[chsi-sales@cooperindustries.com](mailto:chsi-sales@cooperindustries.com)

**China**

86-21-2899-3600  
FAX: 86-21-2899-4055  
[cchsales@cooperindustries.com](mailto:cchsales@cooperindustries.com)

**Korea**

82-2-3484-6783  
82-2-3484-6778  
[CCHK-sales@cooperindustries.com](mailto:CCHK-sales@cooperindustries.com)

**Australia**

61-2-8787-2777  
FAX: 61-2-9609-2342  
[CEASales@cooperindustries.com](mailto:CEASales@cooperindustries.com)

**India**

91-124-4683888  
FAX: 91-124-4683899  
[cchindia@eaton.com](mailto:cchindia@eaton.com)

**Eaton's Crouse-Hinds**  
1201 Wolf Street  
Syracuse, NY 13208  
[Crouse-Hinds.com](http://Crouse-Hinds.com)

**Eaton**  
1000 Eaton Boulevard  
Cleveland, OH 44122  
United States  
[Eaton.com](http://Eaton.com)

© 2016 Eaton  
All Rights Reserved  
Printed in USA  
Publication No. 5294-0416  
April 2016

Eaton is a registered trademark.

All other trademarks are property of their respective owners.