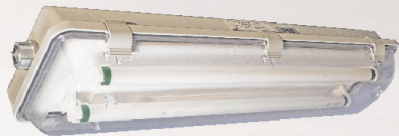


**Hazardous Area & Marine Lighting**  
Pauluhn ECOS linear fluorescent luminaires

**CROUSE-HINDS**  
SERIES

# Pauluhn™ ECOS

Fluorescent luminaire for harsh,  
hazardous and marine use



**EATON**

*Powering Business Worldwide*





Pauluhn™ ECOS linear fluorescent

# Harsh. Hazardous. Marine.



Eaton's Crouse-Hinds Pauluhn series delivers a lighting solution that performs reliably in even the worst operating conditions. All the while reducing your energy, maintenance and manpower costs.

## Why Crouse-Hinds?

**Industry-best reliability**  
Built to withstand a wide array of applications

**Thermal management**  
Effective heat sinking ensures longer life

**Quality of light**  
Custom reflector designed to maximize light distribution and intensity

**Versatile mounting**  
Numerous mounting configurations for easy installation



# Why Pauluhn ECOS?

**Reliable mid and low bay solutions.** Pauluhn ECOS luminaires are engineered to provide maintenance-free performance while delivering long life and high lumen performance in hazardous, harsh and marine environments.

## Rugged design

- UV stabilized, impact-resistant fiberglass-reinforced polyester housing
- Shock- and vibration-resistant lamp holders reduce premature lamp failure

## Multiple configurations

- Available in two and four foot lengths
- T8, T5, T5HO lamps in 1, 2 or 3 lamp configurations



## Multiple mounting options

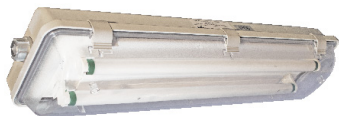
- Ceiling, wall and pipe clamp (all models)
- Eye bolts (ED2N and EHAR models only)
- Shock mount (ED2N and EMAR models only)

## Easy to install

- Tool-less entry for ease of installation
- Up to three gland entries at each end, suitable for dead end, through feed or single-ended "T" wiring
- Lens is removable at 120°, allowing for narrow gap mounting between obstructions

## Designed to meet your challenges

### Three ECOS models available



### ED2N

#### For use in hazardous areas

- Class I, Division 2 rated
- Applications include oil and gas exploration, petrochemical facilities and wastewater treatment



### EMAR

#### For use in marine environments

- Marine rated
- Applications include shipyards, docks ports and marine vessels



### EHAR

#### For use in harsh environments

- Type 4X rated
- Applications include heavy industrial, food and beverage, pulp and paper and wastewater treatment

# General specifications

## Electrical ratings:

- 120 - 277 VAC at 50/60 Hz
- Optional emergency battery back-up ballast (self-contained 90 minute minimum with LED charge status indicator for all lamp types)

## Temperature ratings:

### E2DN model

Lamp wattage (2 ft./4 ft.)	Ballast/socket type	ANSI lamp code	T-code	Maximum ambient	Supply wire
14/28	T5 mini bi-pin G5	F14/F28-T5	T4A	55°C	90°C
24/54	T5HO mini bi-pin G5	F24/F54-T5HO	T3C	55°C	90°C
17/32	T8 bi-pin G13	F17/32-T8	T4A	55°C	90°C
17/32	T8 bi-pin G13	F17/32-T8	T6	55°C	90°C
18/36	T8 bi-pin G13	F18/36-T8	T4A	55°C	90°C

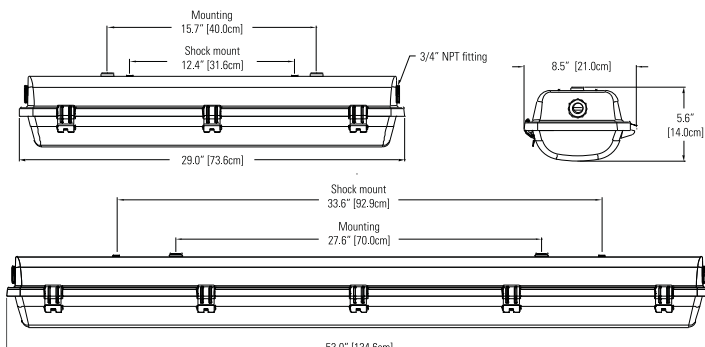
### EMAR and EHAR models

Lamp wattage (2 ft./4 ft.)	Ballast/socket type	ANSI lamp code	Supply wire
14/28	T5 mini bi-pin G5	F14/F28-T5	90°C
24/54	T5HO mini bi-pin G5	F24/F54-T5HO	90°C
17/32	T8 bi-pin G13	F17/32-T8	90°C
17/32	T8 bi-pin G13	F17/32-T8	90°C
18/36	T8 bi-pin G13	F18/36-T8	90°C

## Weights:

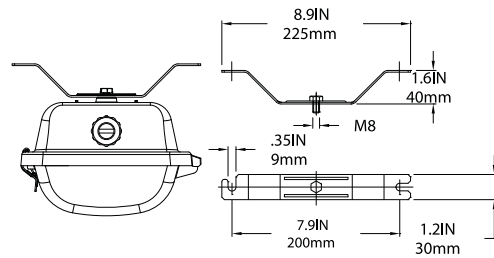
	Lbs.	Kg.
2 foot models	9.0	4.0
4 foot models	17.0	8.0

## Dimensions:

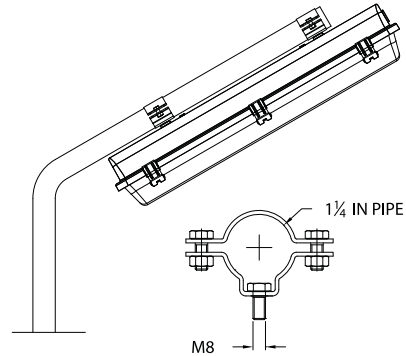


## Mounting options:

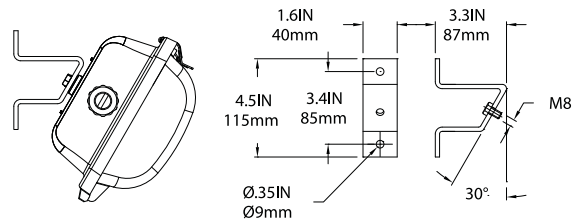
### Ceiling mount (ECO1091MTK)



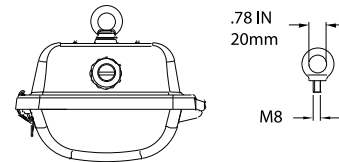
### Pipe clamp bracket (ECOPMKT)



### Wall mount (ECOWMKT)

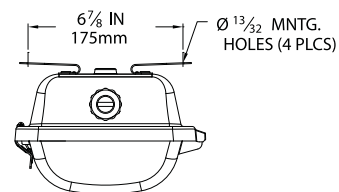


### Cable suspension eye bolts (ECOEBKIT)



### ED2N & EHAR only

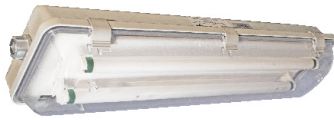
### Shock mount cornice bracket (factory installed)



### ED2N & EMAR only



# ED2N: For use in hazardous areas



## Primary applications:

- Oil and gas exploration and production, petrochemical facilities, wastewater treatment

## Environmental ratings:

- Type 4X
- IP66

## Certifications and compliances:

- Class I, Div. 2, Groups A, B, C, D; Class II, Div. 1, Groups E, F, G; Class III
- UL844 – Hazardous Locations
- CSA – Class 3428 83; Class 3428 03
- EN 60529 – Ingress Protection
- ABS

## Standard materials:

- Housing – UV stabilized fiberglass-reinforced polyester
- Lens – injection molded polycarbonate
- Reflector – engineered plastic
- Gaskets – silicone
- Latches – stainless steel
- Lamp holders – shock- and vibration-resistant polycarbonate

## Ordering information:

Part number example

**ED2N42171012L**

**ED2N 4 2 1 7 1 012 L**

### Length (nominal)

<b>2</b>	2 foot
<b>4</b>	4 foot

### Number of lamps

<b>1</b>	1 lamp
<b>2</b>	2 lamps
<b>3</b>	3 lamps

\* Emergency ballast not available with 2 foot, 3 lamp fixtures.

### Lamp types

<b>1</b>	2 ft. 17 or 4 ft. 32 watt T8 bi-pin
<b>3</b>	2 ft. 18 or 4 ft. 36 watt T8 bi-pin
<b>5</b>	2 ft. 24 or 4 ft. 54 watt T5HO bi-pin
<b>6</b>	2 ft. 14 or 4 ft. 28 watt T5 bi-pin

### Voltage/frequency

<b>7</b>	120 - 277 VAC 50/60 Hz
<b>6</b>	347 VAC 60 Hz
<b>9</b>	480 VAC 60 Hz

### Mounting options

<b>X</b>	No mounting style, M8 nuts
<b>1</b>	Ceiling bracket, stainless steel
<b>2</b>	Wall mount cornice bracket
<b>3</b>	Pipe clamp bracket
<b>4</b>	Cable suspension eye bolts
<b>5</b>	Shock mount brackets (factory installed only)

### Options

<b>SW</b>	Internal safety disconnect switch
<b>EM1</b>	Emergency ballast, 1 lamp
<b>L</b>	Lamps
<b>T</b>	Terminal block, 5-pole
<b>T2</b>	Terminal block each end, 5-pole

### Entry

<b>012</b>	Myers™ conduit hubs, zinc, 3/4" NPT, one entry at each end
<b>022</b>	Myers™ conduit hubs, zinc, 3/4" NPT, two entries at each end
<b>112</b>	Myers™ conduit hubs, stainless steel, 3/4" NPT, one entry at each end
<b>122</b>	Myers™ conduit hubs, stainless steel, 3/4" NPT, two entries at each end
<b>113</b>	Myers™ conduit hubs, 316 stainless steel, 3/4" NPT, one entry each end
<b>123</b>	Myers™ conduit hubs, 316 stainless steel, 3/4" NPT, two entries each end
<b>212</b>	Gland plate, plastic, one 3/4" entry at each end
<b>222</b>	Gland plate, plastic, two 3/4" entries at each end
<b>232</b>	Gland plate, plastic, three 3/4" entries at each end

# EMAR: For use in marine environments



## Primary applications:

- Shipyards, docks, marine vessels

## Environmental ratings:

- Type 4X
- IP66
- Marine Outside Type Saltwater

## Certifications and compliances:

- UL924 – Emergency Lighting Equipment
- UL1598A – Luminaire for Marine Vessels
- ABS

## Standard materials:

- Housing – fiberglass-reinforced polyester
- Lens – injection molded polycarbonate
- Reflector – engineered plastic
- Gaskets – silicone
- Latches – stainless steel
- Lamp holders – polycarbonate

## Ordering information:

Part number example  
**EMAR42174000L**

**EMAR 4 2 1 7 4 000 L**

### Length (nominal)

<b>2</b>	2 foot
<b>4</b>	4 foot

### Number of lamps

<b>1</b>	1 lamp
<b>2</b>	2 lamps
<b>3*</b>	3 lamps

\* Emergency ballast not available with 2 foot, 3 lamp fixtures.

### Lamp types

<b>1</b>	2 ft. 17 or 4 ft. 32 watt T8 bi-pin
<b>3</b>	2 ft. 18 or 4 ft. 36 watt T8 bi-pin
<b>5</b>	2 ft. 24 or 4 ft. 54 watt T5HO bi-pin
<b>6</b>	2 ft. 14 or 4 ft. 28 watt T5 bi-pin

### Voltage/frequency

<b>7</b>	120 - 277 VAC 50/60 Hz
<b>6*</b>	347 VAC 60 Hz
<b>9</b>	480 VAC 60 Hz

\* Emergency ballast not available with 347 VAC model, 2 ft. fixtures or 4 ft. fixtures with wall bracket.

### Options

<b>EM2</b>	Emergency ballast, 1 lamp, 277V max.
<b>EM3</b>	Emergency ballast, high lumen, 1 lamp, 277V max.
<b>EMT2</b>	Emergency ballast, 1 lamp, 277V max., test switch
<b>EMT3</b>	Emergency ballast, high lumen, 1 lamp, 277V max., test switch
<b>L</b>	Lamps
<b>T</b>	Terminal block, 5-pole
<b>T2</b>	(2) terminal blocks, 5-pole, one on each end
<b>RV-1*</b>	Red filter tube on single lamp ballast
<b>BV-1*</b>	Blue filter tube on single lamp ballast
<b>YV-1*</b>	Yellow filter tube on single lamp ballast

\* Not available on 24W or 54W T5HO lamps.

### Mounting options

<b>1</b>	Ceiling bracket, stainless steel
<b>2</b>	Wall mount cornice bracket
<b>3</b>	Pipe clamp bracket
<b>5</b>	Shock mount brackets (factory installed only)

### Entry

<b>000</b>	¾" plastic gland at one end, plugged ¾" entry
<b>412</b>	One gland at each end
<b>422</b>	Two glands at each end
<b>432</b>	Three glands at each end

# EHAR: For use in harsh environments



## Primary applications:

- Harsh and heavy industrial, food and beverage, pulp and paper, wastewater treatment

## Environmental ratings:

- Type 4X
- IP66
- Enclosed and Gasketed

## Certifications and compliances:

- UL924 – Emergency Lighting Equipment
- UL1598 – Luminaires
- cUL
- ABS

## Standard materials:

- Housing – fiberglass-reinforced polyester
- Lens – injection molded polycarbonate
- Reflector – engineered plastic
- Gaskets – silicone
- Latches – engineered plastic (standard), stainless steel (optional)
- Lamp holders – polycarbonate

## Ordering information:

Part number example

**EHAR42174012L**

**EHAR 4 2 1 7 4 012 L**

### Length (nominal)

<b>2</b>	2 foot
<b>4</b>	4 foot

### Number of lamps

<b>1</b>	1 lamp
<b>2</b>	2 lamps
<b>3*</b>	3 lamps

\* Emergency ballast not available with 2 foot, 3 lamp fixtures.

### Lamp types

<b>1</b>	2 ft. 17 or 4 ft. 32 watt T8 bi-pin
<b>3</b>	2 ft. 18 or 4 ft. 36 watt T8 bi-pin
<b>5</b>	2 ft. 24 or 4 ft. 54 watt T5HO bi-pin
<b>6</b>	2 ft. 14 or 4 ft. 28 watt T5 bi-pin

### Voltage/frequency

<b>7</b>	120 - 277 VAC 50/60 Hz
<b>6*</b>	347 VAC 60 Hz

\* Consult factory for application; emergency ballast not available with 347 VAC model, 2 ft. fixtures or 4 ft. fixtures with wall bracket.

### Mounting options

<b>1</b>	Ceiling bracket, stainless steel
<b>2</b>	Wall mount cornice bracket
<b>3</b>	Pipe clamp bracket
<b>4</b>	Cable suspension eye bolts

### Options

<b>EM2</b>	Emergency ballast, 1 lamp, 277V max.
<b>EM3</b>	Emergency ballast, high lumen, 1 lamp, 277V max.
<b>EMT2</b>	Emergency ballast, 1 lamp, 277V max., test switch
<b>EMT3</b>	Emergency ballast, high lumen, 1 lamp, 277V max., test switch
<b>L</b>	Lamps
<b>S</b>	Stainless steel latch
<b>T</b>	Terminal block, 5-pole
<b>T2</b>	(2) terminal blocks, 5-pole, one on each end

### Entry

<b>012</b>	Myers™ conduit hubs, zinc, 3/4" NPT, one entry at each end
<b>022</b>	Myers™ conduit hubs, zinc, 3/4" NPT, two entries at each end
<b>112</b>	Myers™ conduit hubs, stainless steel, 3/4" NPT, one entry at each end
<b>122</b>	Myers™ conduit hubs, stainless steel, 3/4" NPT, two entries at each end
<b>712</b>	3/4" NPT entry, one entry at each end
<b>722</b>	3/4" NPT entry, two entries at each end
<b>733</b>	3/4" NPT entry, three entries at each end

**U.S. (global headquarters):  
Eaton's Crouse-Hinds Division**

1201 Wolf Street  
Syracuse, NY 13208

(866) 764-5454  
FAX: (315) 477-5179  
FAX Orders Only:  
(866) 653-0640

[crousecustomerctr@eaton.com](mailto:crousecustomerctr@eaton.com)

**For more information:**

If further assistance is required, please contact an authorized Eaton Distributor, Sales Office, or Customer Service Department.

**Canada**

Toll Free: 800-265-0502  
FAX: (800) 263-9504  
FAX Orders only: (866) 653-0645

**Mexico/Latin America/Caribbean**

52-555-804-4000  
FAX: 52-555-804-4020  
[ventascentromex@eaton.com](mailto:ventascentromex@eaton.com)

**Europe (Germany)**

49 (0) 6271 806-500  
49 (0) 6271 806-476  
[sales.CCH.de@cooperindustries.com](mailto:sales.CCH.de@cooperindustries.com)

**Middle East**

9714-8066100  
FAX: 9714-8894813  
[chmesales@eaton.com](mailto:chmesales@eaton.com)

**Singapore**

65-6645-9888  
FAX: 65-6297-4819  
[chsi-sales@cooperindustries.com](mailto:chsi-sales@cooperindustries.com)

**China**

86-21-2899-3600  
FAX: 86-21-2899-4055  
[cchsales@cooperindustries.com](mailto:cchsales@cooperindustries.com)

**Korea**

82-2-3484-6783  
82-2-3484-6778  
[CCHK-sales@cooperindustries.com](mailto:CCHK-sales@cooperindustries.com)

**Australia**

61-2-8787-2777  
FAX: 61-2-9609-2342  
[CEASales@cooperindustries.com](mailto:CEASales@cooperindustries.com)

**India**

91-124-4683888  
FAX: 91-124-4683899  
[cchindia@eaton.com](mailto:cchindia@eaton.com)

**Eaton's Crouse-Hinds**  
1201 Wolf Street  
Syracuse, NY 13208  
[Crouse-Hinds.com](http://Crouse-Hinds.com)

**Eaton**  
1000 Eaton Boulevard  
Cleveland, OH 44122  
United States  
[Eaton.com](http://Eaton.com)

© 2016 Eaton  
All Rights Reserved  
Printed in USA  
Publication No. 5263-0117  
January 2017

Eaton is a registered trademark.  
All other trademarks are property of their respective owners.