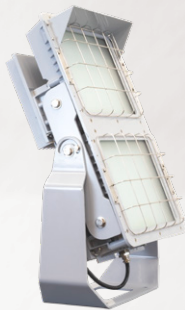


Harsh/heavy industrial LED lighting  
Champ® Pro PFMA LED floodlights

CROUSE-HINDS  
SERIES

# Champ® Pro PFMA High lumen LED floodlights



**EATON**

*Powering Business Worldwide*





## Champ PFMA LED floodlights

# Safe. Reliable. Efficient.

Featuring the industry's broadest range of LED luminaires for harsh, hazardous and industrial environments, Eaton's Crouse-Hinds can deliver a lighting solution that performs reliably in even the worst operating conditions. All the while reducing your energy, maintenance and manpower costs.

### Why LED?

#### **Energy efficiency**

LED average energy consumption is significantly less than traditional fluorescent and HID fixtures

#### **Start/restart time**

Instant illumination vs. 10 minute restrike time for HID

#### **Light quality**

Higher color rendering compared to fluorescent and HID

#### **Environmental benefits**

Mercury-free LED eliminates disposal costs and lower energy consumption for a smaller carbon footprint

### Why Crouse-Hinds?

#### **Industry-best reliability**

Built to withstand a wide array of applications

#### **Thermal management**

Effective heat sinking ensures longer life

#### **Quality of light**

Custom optics designed to maximize light distribution and intensity

#### **Globally certified**

Designed to global specifications for IEC and NEC applications

#### **Serviceable drivers**

Easy access to drivers for service or replacement

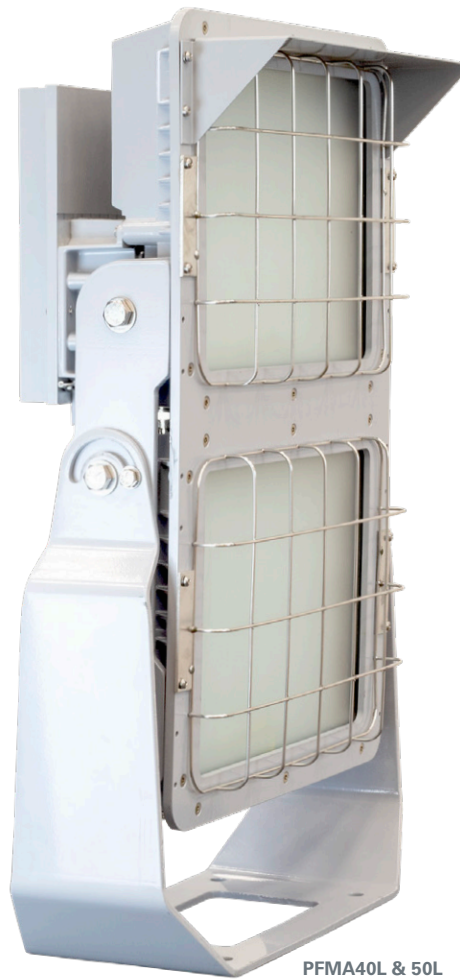
# Design features



PFMA20L & 25L

### Smaller and lighter

- 25% smaller footprint than previous model
- 20 lbs. less weight than previous model



PFMA40L & 50L

### Versatile design

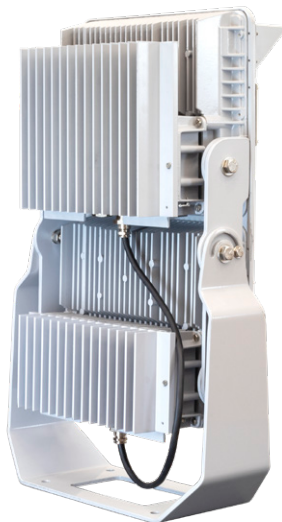
- Can be used for outdoor or indoor applications, and for a wide range of mounting heights depending on model and light level requirement

### High lumen output:

- Up to 120 lumens per watt
- Up to 78% energy savings over traditional HID fixtures (compared to 400W MH)

### Multiple lens options:

- Tempered clear glass lens standard
- Diffused glass lens optional



### Full frame yoke

- Designed to utilize the SFA6 slipfitter and SWB6 wall mount bracket, making it ideal for retrofit or new installation

### Rugged heat sink

- Heat sink designed to perform and provide maximum light levels in high ambient temperatures up to +55°C and as low as -40°C
- Thick walled castings make for a tough, rugged housing that keeps the internal driver and LED temperature down



## Why choose Champ PFMA floodlights?

**Reliable floodlights.** PFMA LED luminaires are engineered to deliver high lumen output and maintenance-free long life in the toughest conditions.

### PFMA25L vs. 1000 watt HID



**78%**  
ENERGY  
EFFICIENCY



**77%**  
TOTAL COST  
OF OWNERSHIP



**100%**  
MAINTENANCE  
REDUCTION

**Assumptions:** Calculations based on overall life of the LED system. Energy cost of \$.09 per kilowatt; 24 hour per day operation; labor rate of \$75 each for 2 workers; average time for fixture maintenance of 1 hour.



# Features & specifications

## 39% lighter than the previous design with a small footprint

Champ Pro PFMA high lumen LED floodlights are designed to provide full-spectrum, crisp, white light. Four versions of the PFMA are available, providing ideal solutions for a wide range of applications.

Model	Nominal lumens	Wattage*	Equivalent MH luminaire	Typical energy savings/lifetime
PFMA20L	20,500	175	600W-750W	<b>Up to 78% reduction in energy costs and 120,000 hours of continuous operation!</b>
PFMA25L	25,500	216	750W-1000W	
PFMA40L	40,500	340	1500W +	
PFMA50L	50,500	411		

\*UNV1 at 120 VAC.

## Applications:

- Locations requiring continuous and consistent light levels in extreme ambient temperatures
- Areas requiring frequent on-and-off of lights
- Where extremely corrosive, wet, dusty, hot and/or cold conditions exist
- Manufacturing plants; heavy industrial, chemical, food and beverage facilities; mining; platforms; loading docks; tunnels; outdoor wall and pole mounted areas

## Design features:

- Rugged design – engineered to perform in ambient temperatures from -40°C to 55°C
- High efficiency – engineered to deliver 117 lumens per watt
- Full frame yoke – designed to utilize the SFA6 slipfitter and SWB6 wall mount bracket, making it ideal for retrofit or new installations
- Custom optics – standard 7x6 pattern provides maximum light distribution
- 5 year fixture warranty‡

\*SFA6 slipfitter and SWB6 wall mount bracket sold separately (20L/25L only),

‡Refer to page 2 of the authorized distributor price book for Crouse-Hinds standard Terms and Conditions.

## Fixture life:

- Rated life of 60,000 hours at 55°C operating ambient and 24/7 continuous operation for 365 days

## Standard materials:

- Lamp housing and adapter – die cast aluminum with Corro-free™ epoxy powder coat
- Lens – heat- and impact-resistant glass (standard)
- Gaskets – silicone and neoprene
- External hardware – stainless steel

## Electrical ratings – NEC model:

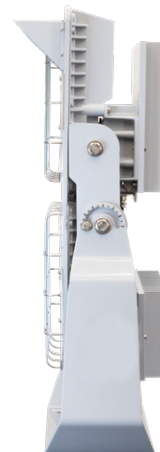
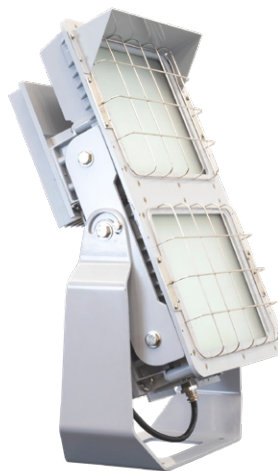
Model	120-277 VAC at 50/60 Hz		347-480 VAC at 50/60 Hz	
	Input power	Input amps	Input power	Input amps
PFMA20L	160-158W	1.35-0.64A	163-162W	0.48-0.36A
PFMA25L	200-197W	1.67-0.75A	201-200W	0.59-0.44A
PFMA40L	330-323W	2.74-1.26A	326-322W	0.99-0.72A
PFMA50L	403-393W	3.37-1.50A	393-392W	1.15-0.86A

### All models (UNV1 only)

<b>Voltage range, VDC</b>	127-300V at 50/60 Hz
---------------------------	----------------------

### All models

<b>Power factor</b>	>0.90
---------------------	-------



## Electrical ratings – IEC model:

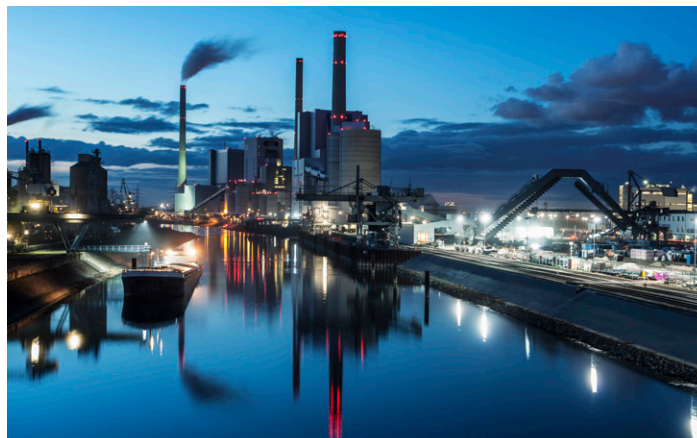
Model	120-277 VAC at 50/60 Hz		347-440 VAC at 50/60 Hz	
	Input power	Input amps	Input power	Input amps
nPFMA20L	160-158W	1.35-0.64A	163-162W	0.48-0.36A
nPFMA25L	200-197W	1.67-0.75A	201-200W	0.59-0.44A
nPFMA40L	330-323W	2.74-1.26A	326-322W	0.99-0.72A
nPFMA50L	403-393W	3.37-1.50A	393-392W	1.15-0.86A

### All models (UNV1 only)

<b>Voltage range, VDC</b>	127-300V at 50/60 Hz
---------------------------	----------------------

### All models

<b>Power factor</b>	>0.90
---------------------	-------

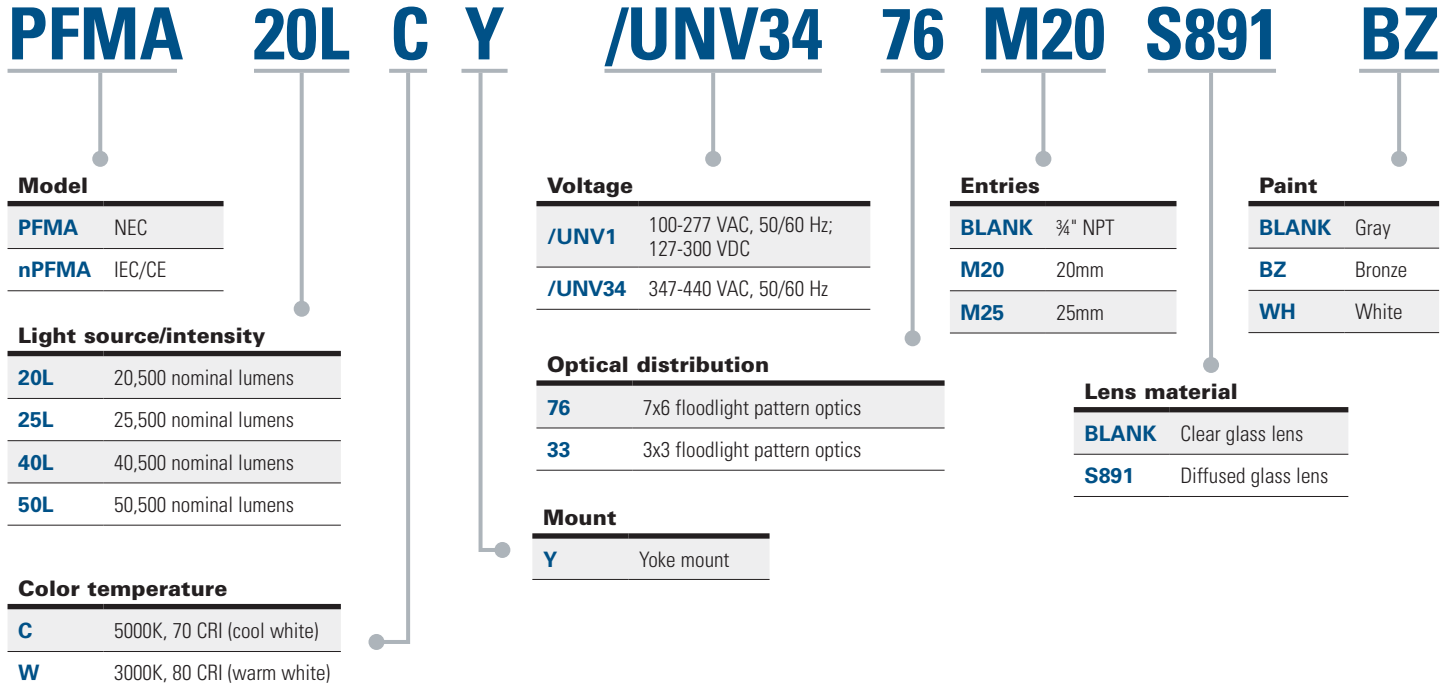


# Ordering information

## Part number example

### PFMA20LCY/UNV34 76 M20 S891 BZ

Champ Pro PFMA floodlight, 20,500 lumens, cool white, yoke mount, 347-440 VAC driver, 20mm entry, diffused glass lens, bronze paint



## Accessories (ordered separately)

<b>BLHN2</b>	Bull horn, 2 tenon, gray	<b>BLHN3</b>	Bull horn, 3 tenon, gray	<b>DSV2</b>	Bolt-on visor	<b>SFA6*</b>	Slipfitter
<b>BLHN-BZ2</b>	Bull horn, 2 tenon, bronze	<b>BLHN-BZ3</b>	Bull horn, 3 tenon, bronze	<b>P62</b>	Bolt-on wire guard	<b>SWB6*</b>	Slipfitter wall mount
<b>BLHN-WH2</b>	Bull horn, 2 tenon, white	<b>BLHN-WH3</b>	Bull horn, 3 tenon, white	<b>SC831</b>	Safety cable	*20L and 25L models only.	

## Certifications and compliances – NEC model:

### NEC and CEC:

- Type 4X, IP66

### UL Standards:

- UL1598; UL1598A; cUL

### Qualifications and compliances:

- DesignLights Consortium® Qualified (pending)\*



\*Refer to [www.designlights.org](http://www.designlights.org) Qualified Products List under family models for full listing details. Not all models are approved for all application categories.

## Certifications and compliances – IEC/CE model:

### IEC:

- IEC 60598-1 and IEC 60598-2-1
- Wet locations
- IP66
- CE marked



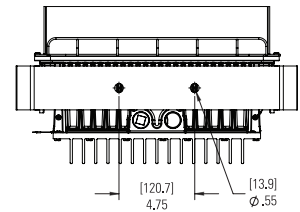
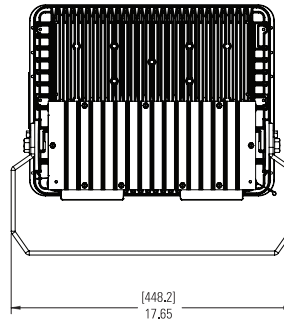
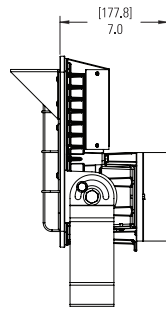
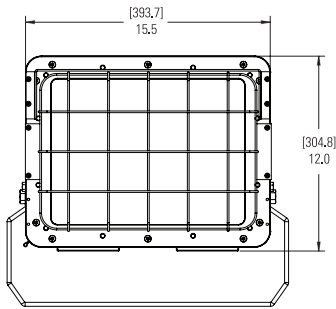
# Weights and dimensions

## PFMA20 & 25L

	Width		Height		Depth		Weight	
	in.	mm.	in.	mm.	in.	mm.	lb.	kg.
<b>PFMA20L &amp; 25L</b>	15.5	393.7	12.0	304.8	7.0	177.8	34.0	15.4

### Effective projected area 20L & 25L

Position (tilt)	ft.-sq.
at 0°	1.5
at 45° backwards	1.1
at 60° forward	0.8

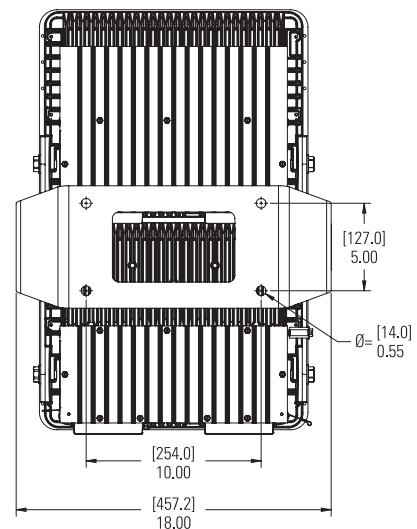
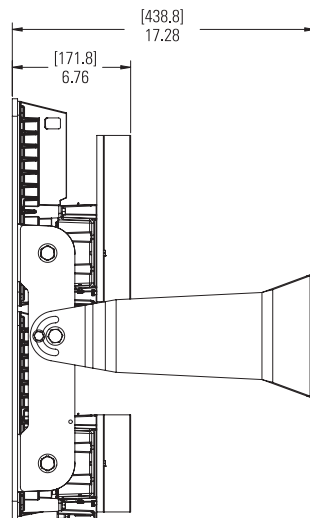
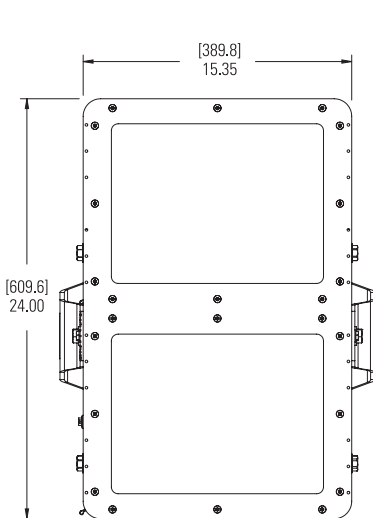


## PFMA40L & 50L

	Width		Height		Depth		Weight	
	in.	mm.	in.	mm.	in.	mm.	lb.	kg.
<b>PFMA40L &amp; 50L</b>	18.0	457.2	24.0	609.6	17.28	438.8	77.0	34.9

### Effective projected area 40L & 50L

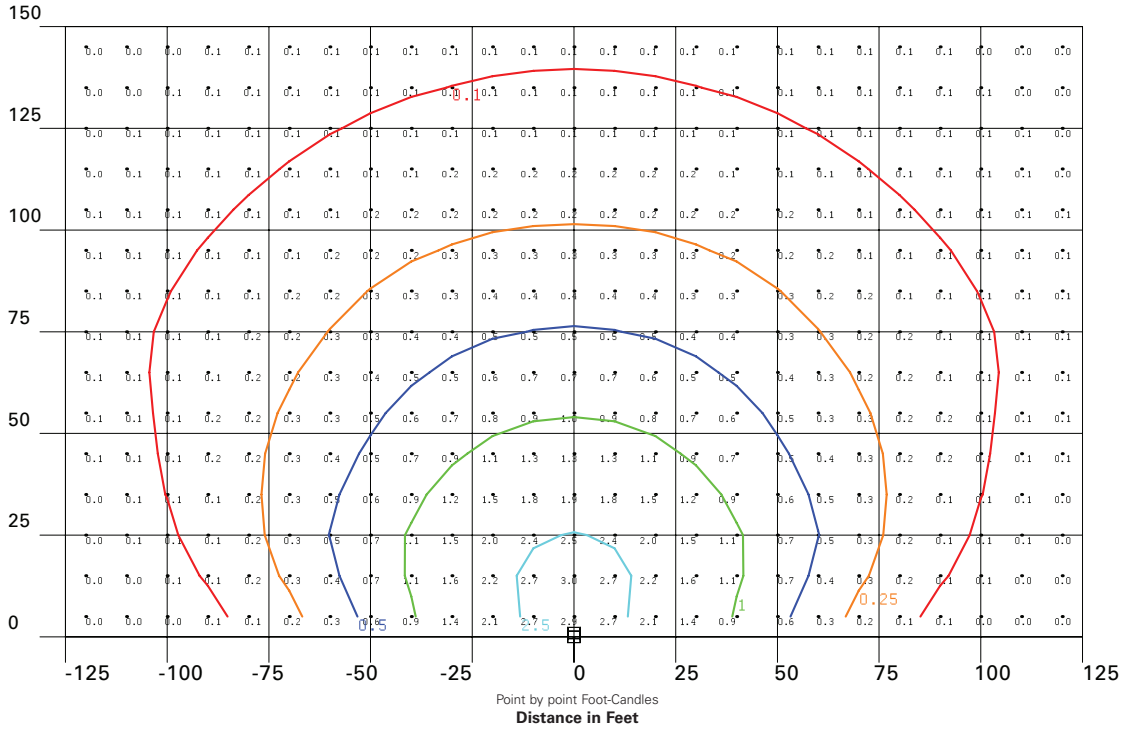
Position (tilt)	ft.-sq.
at 0°	3.20
at 45° backwards	3.25
at 60° forward	3.62



# Photometric data

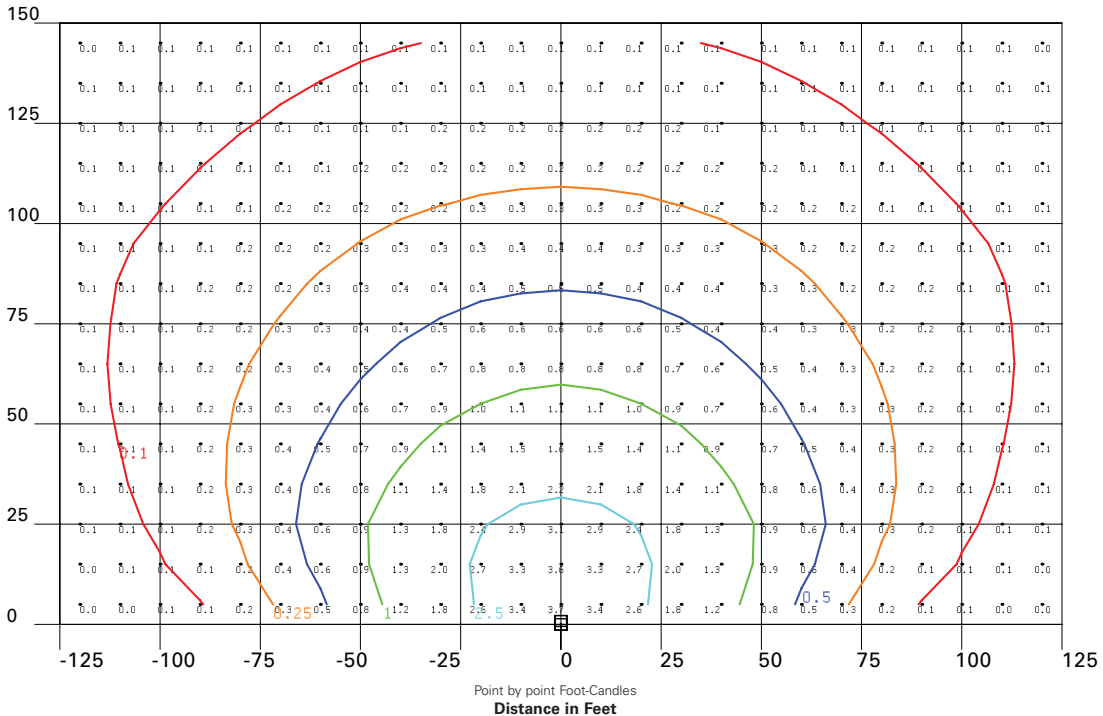
## 7x6 optics

PFMA20L Height: 45 ft.; Tilt angle: 45°



## 7x6 optics

PFMA25L Height: 45 ft.; Tilt angle: 45°



**U.S. (global headquarters):  
Eaton's Crouse-Hinds Division**

1201 Wolf Street  
Syracuse, NY 13208

(866) 764-5454  
FAX: (315) 477-5179  
FAX Orders Only:  
(866) 653-0640

[crousecustomerctr@eaton.com](mailto:crousecustomerctr@eaton.com)

**For more information:**

If further assistance is required, please contact an authorized Eaton Distributor, Sales Office, or Customer Service Department.

**Canada**

Toll Free: 800-265-0502  
FAX: (800) 263-9504  
FAX Orders only: (866) 653-0645

**Mexico/Latin America/Caribbean**

52-555-804-4000  
FAX: 52-555-804-4020  
[ventascentromex@eaton.com](mailto:ventascentromex@eaton.com)

**Europe (Germany)**

49 (0) 6271 806-500  
49 (0) 6271 806-476  
[info-ex@eaton.com](mailto:info-ex@eaton.com)

**Middle East**

971 4 8066100  
FAX: 971 4 8894813  
[chmesales@eaton.com](mailto:chmesales@eaton.com)

**Singapore**

65-6645-9888  
FAX: 65-6297-4819  
[chsi-sales@eaton.com](mailto:chsi-sales@eaton.com)

**China**

86-21-2899-3600  
FAX: 86-21-2899-4055  
[echsales@eaton.com](mailto:echsales@eaton.com)

**Korea**

82 2 6380 4032  
82-2-6380-4070  
[ECHKsales@eaton.com](mailto:ECHKsales@eaton.com)

**Australia**

1300-332-866  
FAX: 61-2-9693-5127  
[crousehindsanz@eaton.com](mailto:crousehindsanz@eaton.com)

**India**

91-124-4683888  
FAX: 91-124-4683899  
[cchindia@eaton.com](mailto:cchindia@eaton.com)

**Eaton's Crouse-Hinds**  
1201 Wolf Street  
Syracuse, NY 13208  
[Crouse-Hinds.com](http://Crouse-Hinds.com)

**Eaton**  
1000 Eaton Boulevard  
Cleveland, OH 44122  
United States  
[Eaton.com](http://Eaton.com)

© 2019 Eaton  
All Rights Reserved  
Printed in USA  
Publication No. 5416-0819  
August 2019

Eaton is a registered trademark.

All other trademarks are property of their respective owners.