

LED lighting for hazardous rated areas

CROUSE-HINDS  
SERIES

# Champ FMVA

**LED FLOODLIGHTING** for hazardous areas



**Safe. Reliable. Efficient.**  
**9,000 to 15,000 lumens**

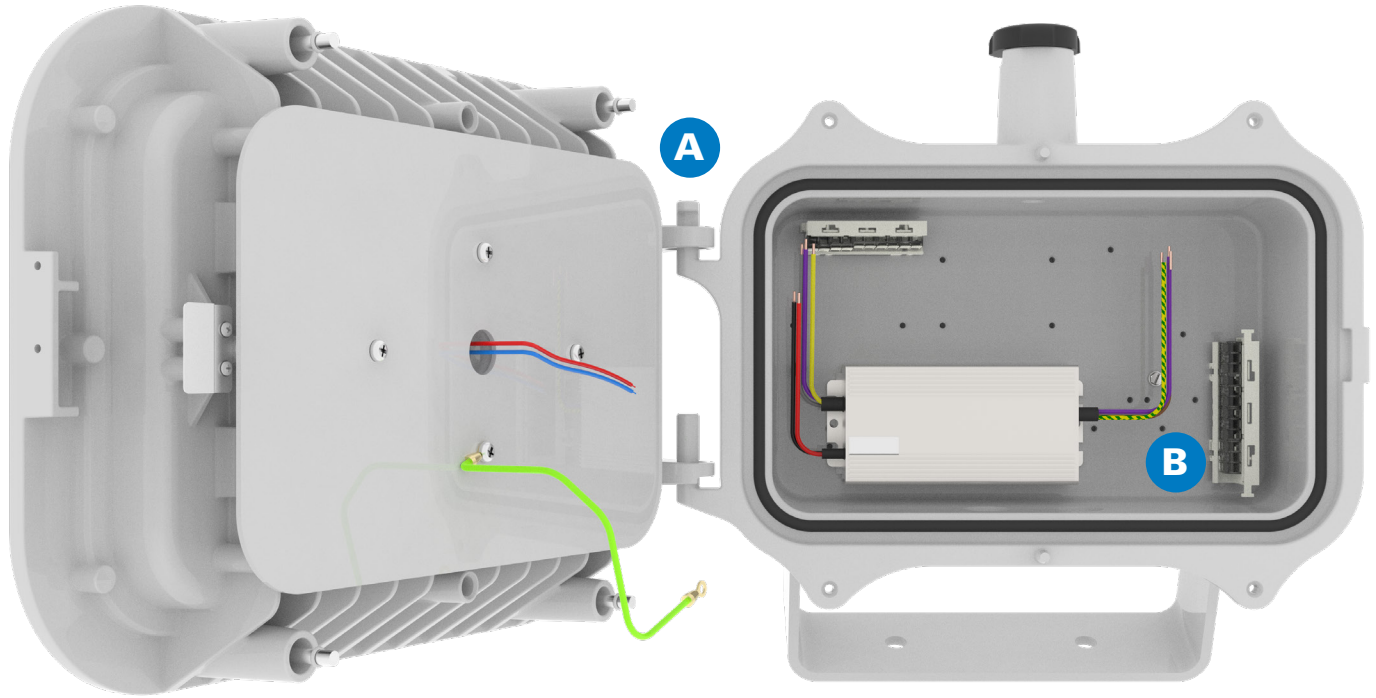
**EATON**

*Powering Business Worldwide*

# Design features

Our Champ LED floodlight is a field-proven design that helps ensure safety, reliability and performance in harsh and hazardous rated areas. Champ products are engineered to deliver more operational value and better total cost of ownership.

## INSTALLATION EASE

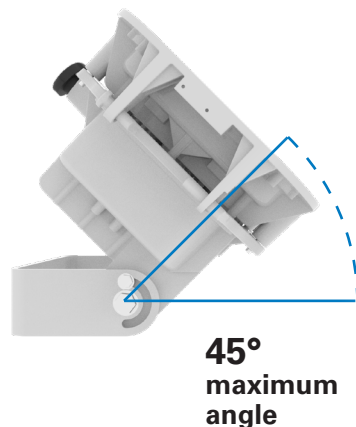
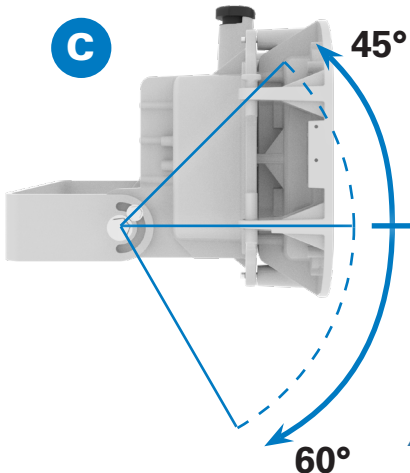
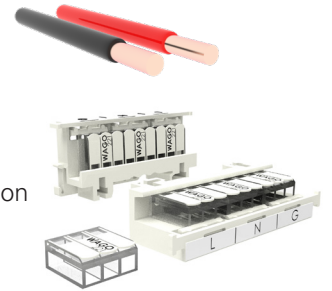


### A Light weight & easy access

- Driver and LED engine are field replaceable for extended life even beyond the warranty
- Removable cover for LED engine and hinged driver compartment enables faster installation, access to wiring and field maintenance
- 22% weight reduction from previous generation Champ floodlight models

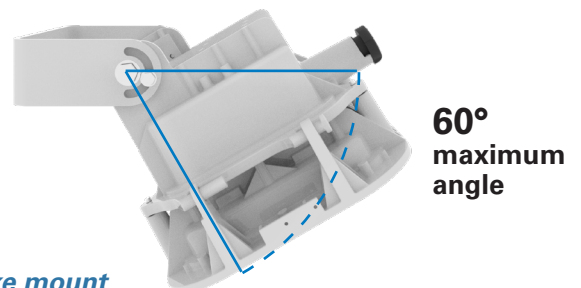
### B Now supports up to 10 AWG wire for easier, less costly retrofits!

- Customers with 10 AWG wire already running through their facility from older, higher power HID fixtures can reuse the same wiring
- Plug and play wiring helps speed installation



### C Versatile mounting options

- Yoke mount and accessories help ensure the fixtures are installed in the correct location to properly light your facility



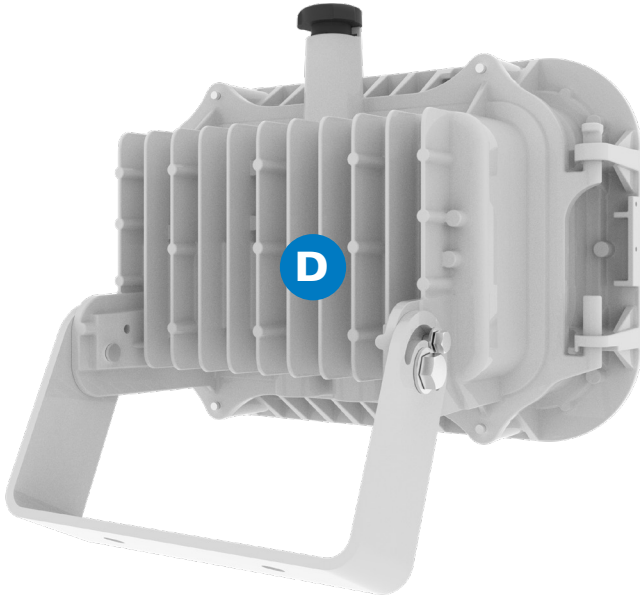
*All units come standard with a yoke mount*



## RELIABLE PERFORMANCE

### D Thermal management

- Heat fins help ensure proper air flow and facilitate dust-shedding for effective heat dissipation and thermal management of LED engine and driver



### E Performance in extreme environments

- Operating ambient -40°C to 65°C
- Type 4X, IP67
- 6kV surge protection
- Corrosion resistant aluminum housing with Corro-free™ epoxy powder coating
- Vibration tested in accordance with Section 33 of UL844
- Impact tested in accordance with IEC/EN/UL/CSA 60079-0 Section 26.4.2



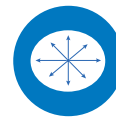
## OPTIMIZED LIGHT & QUALITY

### F Custom optics & colors

- Directs light where you need it, helping eliminate gaps and dark spots.
- Can potentially reduce the number of light fixtures required in your application
- 2200K–DEEP WARM, 3000K–WARM, 4000K–NEUTRAL and 5000K–COOL color options available



**NEMA 4x4**  
Narrow uniform pattern for use at larger distances

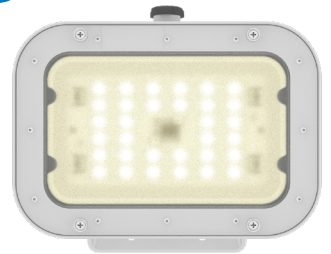


**NEMA 7X6**  
Wide flood distribution provides a large and uniform light pattern

**F**



**5000K – COOL**  
Crisp, bright white with a blue hue



**3000K – WARM**  
Soft, warm white with a yellow hue

### G Multiple lens & epoxy powder coat options

- Clear glass lens (standard)
- Diffused glass and clear polycarbonate lenses optional
- Corro-free epoxy powder coat available in gray (standard); white or bronze optional

**G**



**White**



**Gray**



**Bronze**

# Specifications

## Applications:

- For general area illumination of locations with mounting heights from 15 to 30 feet
- Locations requiring continuous and consistent light levels where extremely corrosive, wet, dusty, hot and/or cold conditions exist
- IP67, Type 4X, marine, wet locations and hose-down environments
- Oil and gas refineries, drilling rigs, petrochemical facilities, food and beverage facilities, platforms, loading docks, tunnels



## LED system:

- High intensity discrete power emitters
- Standard: cool white (5000K, 70 CRI);
- Available options: deep warm (2200K, 70 CRI), warm white (3000K, 80 CRI) or neutral white (4000K, 80 CRI)
- NEMA 7x6 or 4x4 optical patterns available
- Rated life of 60,000 hours continuous operation at 55°C operating ambient temperature
- 5 year fixture warranty\*

\*Refer to [terms & conditions](#) on Eaton.com for Crouse-Hinds series solutions.

## Standard materials:

- Lamp housing - die cast aluminum with Corro-free™ epoxy powder coat
- Lens - heat and impact-resistant glass or polycarbonate
- Gaskets - silicone
- External hardware - 316 stainless steel
- Factory-sealed, no external seals required

## NEC and CEC:

- Class I, Division 2, Groups A, B, C, D
- Class II, Groups F, G
- Wet Location, Type 4X, IP67



CAN ICES-005 (A) / NMB-005 (A)

## UL Standards:

- UL 844 Hazardous (Classified), UL1598 Luminaires, UL1598A Marine, UL8750
- CSA C22.2 NO. 137-M1981 – The Standard for Electric Luminaires for Use in Hazardous Locations
- CSA C22.2 NO. 250.0 – The Standard for Luminaires

## Electrical ratings:

Model	Weight lbs. (kg.)	Nominal lumens	Efficacy† lm/W	Wattage	Voltage	Amps	Power Factor	THD	Surge protection
<b>FMVA-9-UNV1</b>	24.92 (11.30)	9,261	162	58.12	100-277 VAC, 50/60 Hz	0.59 - 0.22	0.90	≤ 20%	6kV
<b>FMVA-11-UNV1</b>	24.92 (11.30)	11,602	158	77.35	100-277 VAC, 50/60 Hz	0.79 - 0.28	0.90	≤ 20%	6kV
<b>FMVA-13-UNV1</b>	24.92 (11.30)	13,581	154	89.60	100-277 VAC, 50/60 Hz	0.91 - 0.32	0.90	≤ 20%	6kV
<b>FMVA-15-UNV1</b>	24.92 (11.30)	15,845	154	106.78	100-277 VAC, 50/60 Hz	1.07 - 0.38	0.90	≤ 20%	6kV
<b>FMVA-9-UNV3</b>	24.95 (11.32)	9,261	162	58.34	347-480 VAC, 50/60 Hz	0.17 - 0.12	0.90	≤ 20%	6kV
<b>FMVA-11-UNV3</b>	24.95 (11.32)	11,602	158	75.01	347-480 VAC, 50/60 Hz	0.22 - 0.16	0.90	≤ 20%	6kV
<b>FMVA-13-UNV3</b>	24.95 (11.32)	13,581	154	90.38	347-480 VAC, 50/60 Hz	0.26 - 0.19	0.90	≤ 20%	6kV
<b>FMVA-15-UNV3</b>	24.95 (11.32)	15,845	154	105.38	347-480 VAC, 50/60 Hz	0.30 - 0.22	0.90	≤ 20%	6kV

†Consult IES files for exact performance data.

# Ordering information

Champ FMVA LED, 9,000 lumens, 3000K warm white, yoke mount, diffused glass lens, 100-277 VAC driver, white epoxy powder coat paint

Part number example: **FMVA-9-W-76-M20-DG-UNV1-WH-M2**

## FMVA - 9 - W - 76 - M20 - DG - UNV1 - WH - M2

**Light source/intensity**

<b>9</b>	9,261 nominal lumens
<b>11</b>	11,602 nominal lumens
<b>13</b>	13,581 nominal lumens
<b>15</b>	15,845 nominal lumens

**Color temperature**

<b>BLANK</b>	5000K, 70 CRI ( <i>cool white</i> )
<b>N*</b>	4000K, 80 CRI ( <i>neutral white</i> )
<b>W</b>	3000K, 80 CRI ( <i>warm white</i> )
<b>22*</b>	2200K, 70 CRI ( <i>deep warm</i> )

\*Consult customer service for lead time.

**Beam pattern**

<b>76</b>	NEMA 7x6
<b>44*</b>	NEMA 4x4

\*Consult customer service for lead time.

**Lens material**

<b>BLANK</b>	Clear glass
<b>DG</b>	Diffused glass
<b>PC*</b>	Clear polycarbonate

\*Consult customer service for lead time.

**Entries**

<b>BLANK</b>	3/4" NPT
<b>M20</b>	20mm
<b>M25</b>	25mm

**Voltage**

<b>UNV1</b>	100-277 VAC, 50/60 Hz
<b>UNV3</b>	347-480 VAC, 50/60 Hz

**Epoxy powder coat**

<b>BLANK</b>	Gray
<b>WH*</b>	White
<b>BZ*</b>	Bronze

\*Consult customer service for lead time.

### Accessories (ordered separately)



<b>BLHN2</b>	Bull horn, 2 tenon, gray	<b>SC831</b>	Safety cable
<b>BLHN-BZ2*</b>	Bull horn, 2 tenon, bronze	<b>SFA6</b>	Slip fitter
<b>BLHN-WH2*</b>	Bull horn, 2 tenon, white	<b>SWB6</b>	Slip fitter wall mount adapter
<b>BLHN3</b>	Bull horn, 3 tenon, gray		
<b>BLHN-BZ3*</b>	Bull horn, 3 tenon, bronze		
<b>BLHN-WH3*</b>	Bull horn, 3 tenon, white		

\*Consult customer service for lead time.



### Replacement driver kits (ordered separately)

<b>FMVA-9-UNV1-M2-DRIVER KIT</b>	UNV1 M2 replacement driver kit for FMVA-9
<b>FMVA-11-UNV1-M2-DRIVER KIT</b>	UNV1 M2 replacement driver kit for FMVA-11
<b>FMVA-13-UNV1-M2-DRIVER KIT</b>	UNV1 M2 replacement driver kit for FMVA-13
<b>FMVA-15-UNV1-M2-DRIVER KIT</b>	UNV1 M2 replacement driver kit for FMVA-15
<b>FMVA-9-UNV3-M2-DRIVER KIT</b>	UNV3 M2 replacement driver kit for FMVA-9
<b>FMVA-11-UNV3-M2-DRIVER KIT</b>	UNV3 M2 replacement driver kit for FMVA-11
<b>FMVA-13-UNV3-M2-DRIVER KIT</b>	UNV3 M2 replacement driver kit for FMVA-13
<b>FMVA-15-UNV3-M2-DRIVER KIT</b>	UNV3 M2 replacement driver kit for FMVA-15

## Additional Champ LED lighting solutions

**Champ VMVL & PVML LED lighting**

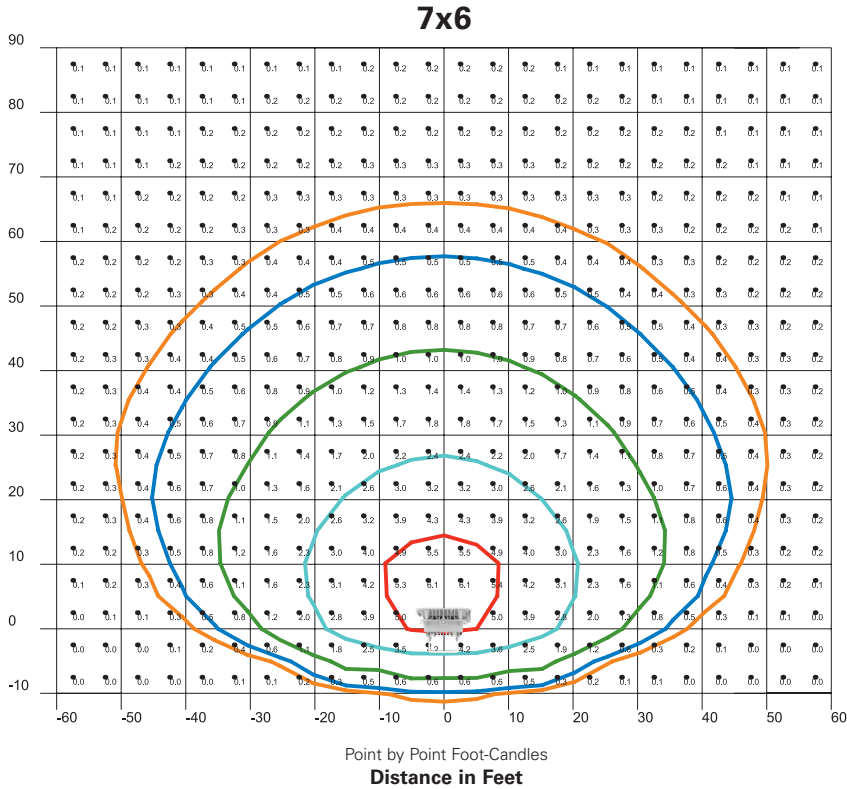
**Safe. Reliable. Efficient.**  
**3,000 to 25,000 lumens**

**Champ FMVA & PFMA LED floodlights**

**Safe. Reliable. Efficient.**  
**3,000 to 50,000 lumens**

# Photometrics

For IES photometric files – please refer to the resource tab of the [FMVA LED product page](#) on Eaton.com



## 7x6 optics

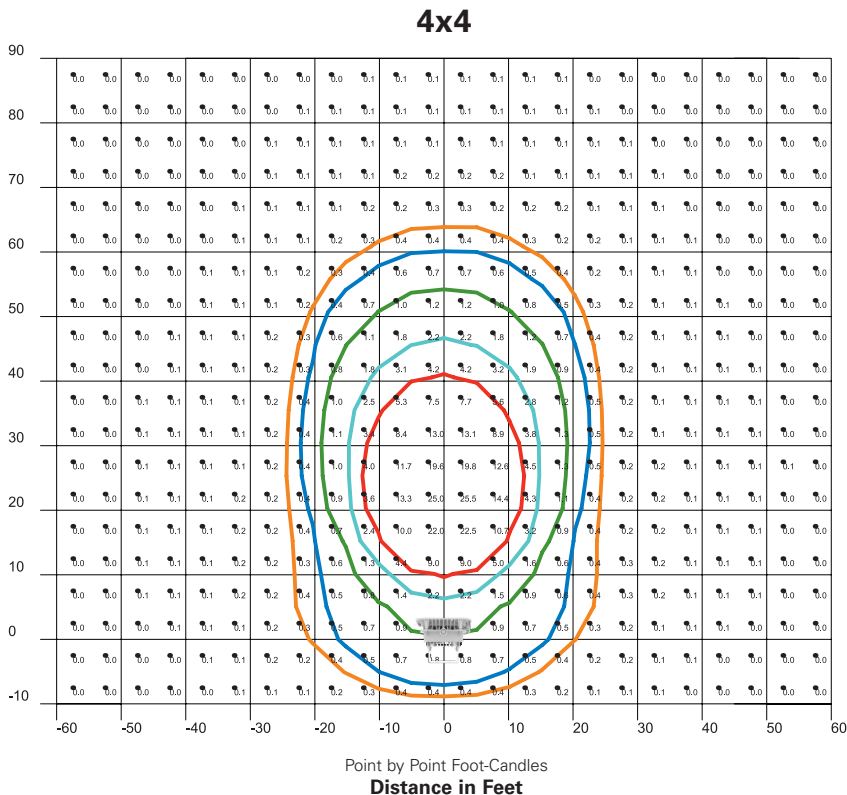
FMVA-15 Height: 25 ft.; Tilt angle: 45°

### Illuminance (Fc)

Average	0.82
Minimum	0.00
Maximum	6.10

Mounting height – 25 ft.  
Tilt – 45°

PFMA-15 fixture with UNV1 driver and clear glass lens



## 4x4 optics

FMVA-15 Height: 25 ft.; Tilt angle: 45°

### Illuminance (Fc)

Average	0.95
Minimum	0.00
Maximum	25.5

Mounting height – 25 ft.  
Tilt – 45°

PFMA-15 fixture with UNV1 driver and clear glass lens



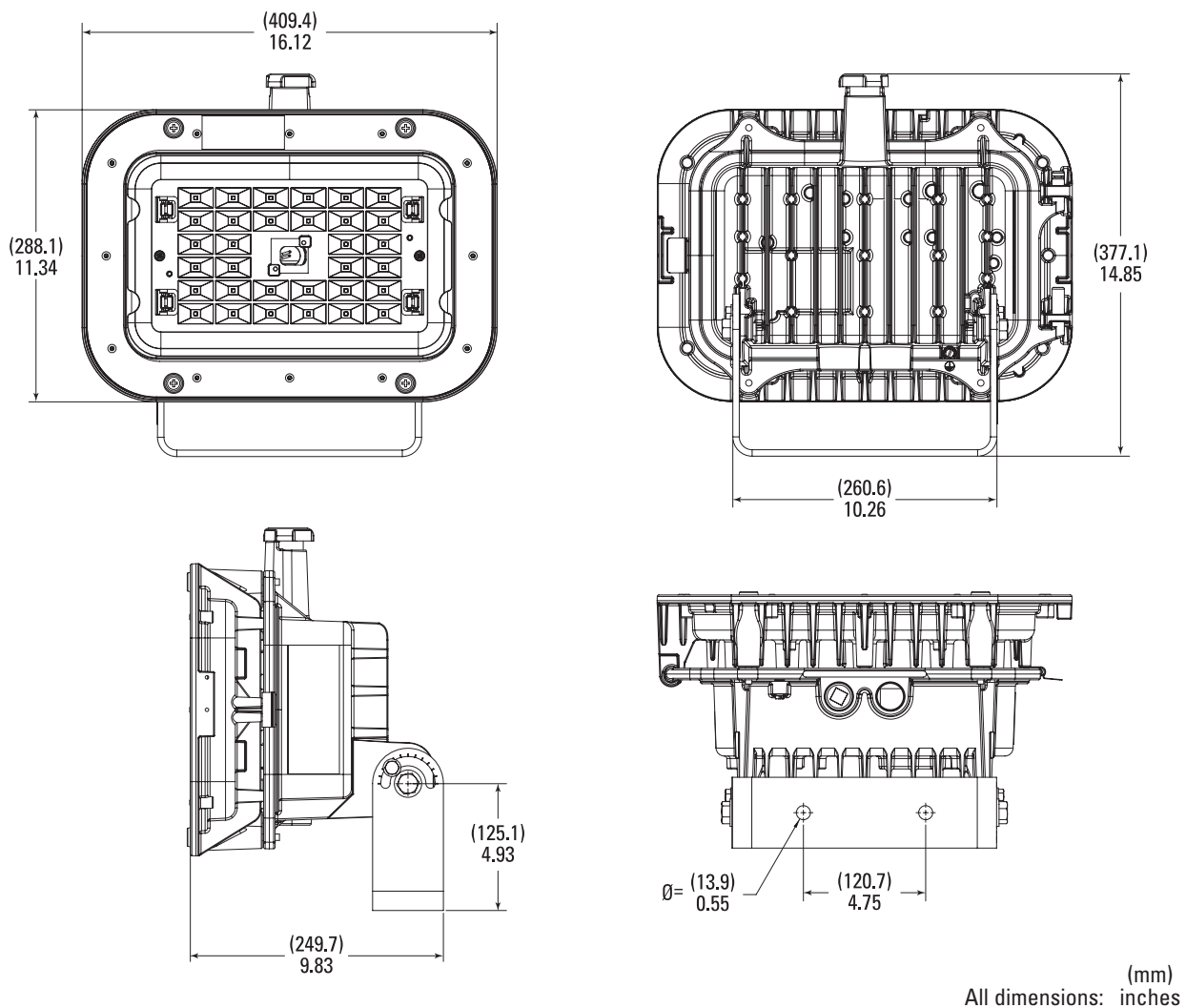


# Specifications

Temperature codes:

Model	Ambient temperature	Simultaneous rating			Minimum supply wire temperature
		Class I, Div. 2	Class II, Div. 2	Class I, Div. 2, Class II, Div. 2	
FMVA9L-FMVA11L (UNV1 and UNV3)	40°C	T5	T4	T2D	90°C
	55°C	T5	T4	T2D	90°C
	65°C	T5	T4	T2D	90°C
FMVA13L-FMVA15L (UNV1)	40°C	T5	T4	T2D	90°C
	55°C	T5	T4	T2D	90°C
	65°C	T4A	T3C	T2C	90°C
FMVA13L-FMVA15L (UNV3)	40°C	T4A	T4	T2D	90°C
	55°C	T4A	T4	T2D	90°C
	65°C	T4A	T3C	T2C	90°C

## Dimensions: Fixture with standard yoke mount



Mounting method	Angle range	Mounting surface
Yoke (standard)	+45° to -60°	Wall, Ceiling, Horizontal Surface/Ground

**U.S. (global headquarters):  
Eaton's Crouse-Hinds business**

1201 Wolf Street  
Syracuse, NY 13208

(866) 764-5454  
FAX: (315) 477-5179  
FAX Orders Only:  
(866) 653-0640

[crousecustomerctr@eaton.com](mailto:crousecustomerctr@eaton.com)

**Eaton's B-Line business**

509 West Monroe Street  
Highland, IL 62249

800-851-7415  
FAX: 618-654-1917

[Eaton.com/b-lineseries](http://Eaton.com/b-lineseries)

**IEC Electrical**  
(CEAG products)

49 (0) 6271 806-500  
FAX: 49 (0) 6271 806-476

[Info-ex@eaton.com](mailto:Info-ex@eaton.com)

**Airport Lighting**

866-764-5454

[CrouseCustomerCTR@Eaton.com](mailto:CrouseCustomerCTR@Eaton.com)

**Mexico/Latin America/Caribbean**

52-555-804-4000  
FAX: 52-555-804-4020

[ventascentromex@eaton.com](mailto:ventascentromex@eaton.com)

**Haz Area Communications**  
(MEDC, Hernis, Oxalis, FHF Sonix)

44 (0) 1623 444400  
FAX: 44 (0) 1623 444531

[MEDCadmin@Eaton.com](mailto:MEDCadmin@Eaton.com)

**Canada**

Toll Free: 800-265-0502  
FAX: (800) 263-9504  
FAX Orders only: (866) 653-0645

**China**

86-21-2899-3600  
FAX: 86-21-2899-4055

[echsales@eaton.com](mailto:echsales@eaton.com)

**Process instrumentation**  
(MTL products)

44 (0) 1582 723633  
FAX: 44 (0) 1582 422283

[enquiry@mtl-inst.com](mailto:enquiry@mtl-inst.com)

**Eaton Middle East**

9714-8066100  
FAX: 9714-8894813

[CHBLME@eaton.com](mailto:CHBLME@eaton.com)

**Australia**

61-2-8787-2777  
FAX: 61-2-9609-2342

[crousehindsanz@eaton.com](mailto:crousehindsanz@eaton.com)

**For more information:**

If further assistance is required, please contact an authorized Eaton Distributor, Sales Office, or Customer Service Department.

**Eaton**  
1000 Eaton Boulevard  
Cleveland, OH 44122  
United States  
[Eaton.com](http://Eaton.com)

© 2024 Eaton  
All Rights Reserved  
Printed in USA  
Publication No. BR403017EN  
April 2024

Eaton is a registered trademark.

All other trademarks are property of their respective owners.

Follow us on social media to get the latest product and support information.

