

## Pauluhn™ Apex

High bay fluorescent luminaire for industrial locations

The Pauluhn Apex is the perfect high bay fixture for medium duty industrial locations. The rugged Apex is engineered to shed debris and is IP66 rated for moisture protection in hose down applications.

### Applications:

- Locations requiring continuous and consistent light levels
- Food and beverage processing and storage
- Power generation facilities
- Water/wastewater treatment facilities
- Pharmaceutical facilities

### Key features & benefits:

- High lumen output: up to 30,000 lumens
- Complete portfolio of T5, T8 and T5HO fluorescent models
- Versatile mounting options
- NSF rated
- Operating ambient: -25°C to +55°C
- Optimized debris shedding design
- USDA compliant
- High pressure hose down rated



### Certifications:

- Type 4 (AAB only);  
Type 4X (ASB only)
- IP66
- UL924 Emergency Lighting  
Equipment (CSA-US)
- UL1598 Luminaires (CSA-US)
- CSA Class 3428 03
- CSA Class 3428 83
- NSF/ANSI 2-2010 Splash Zone

### Materials:

#### Housing:

- Type 5052 aluminum  
(AAB only)
- Type 304 stainless steel  
(ASB only)

#### Lens:

- Clear acrylic standard,  
polycarbonate or glass optional



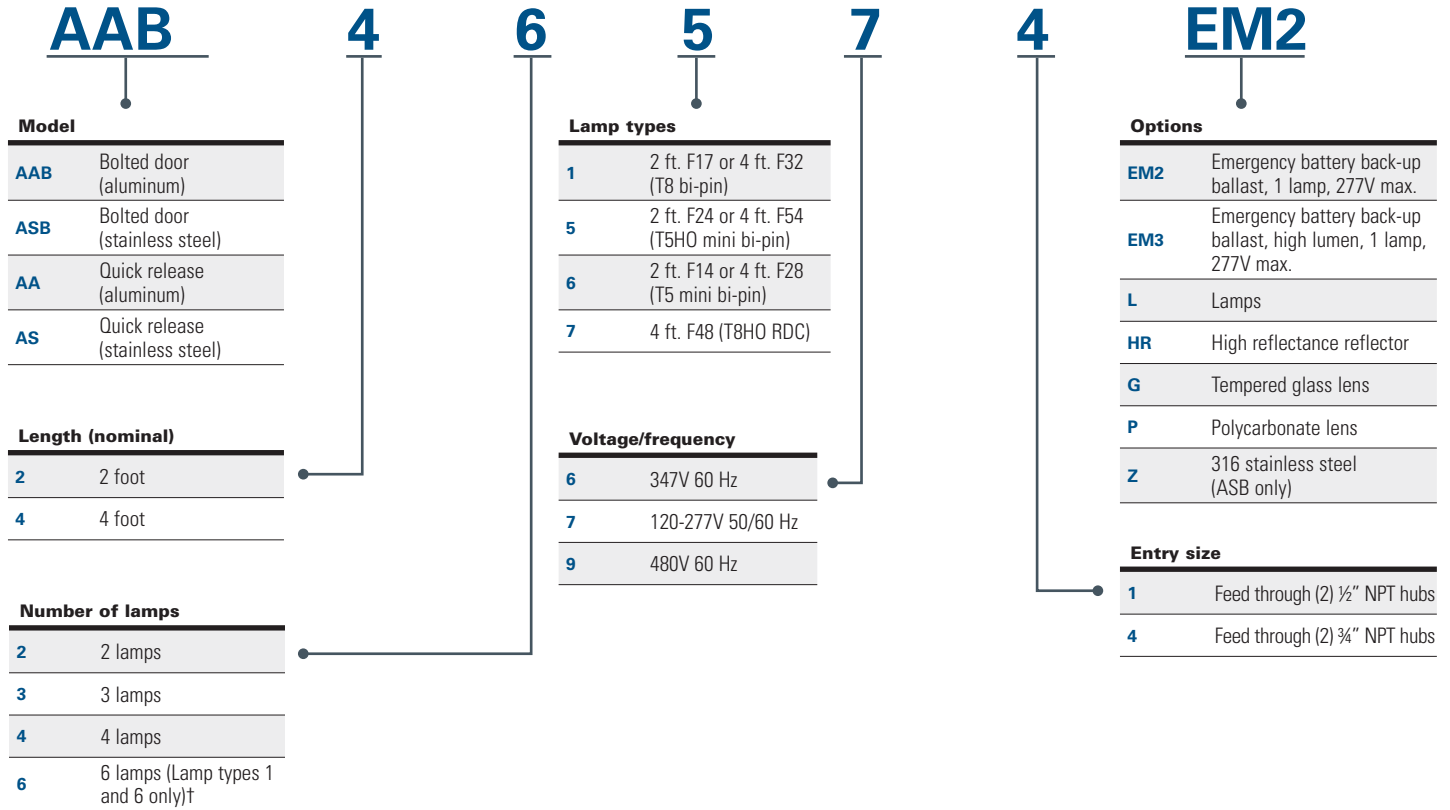
Powering Business Worldwide

# Ordering information

Part number example

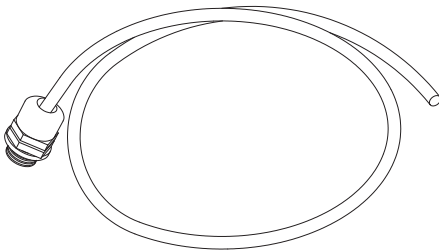
## AAB46574EM2

AAB (aluminum body with bolted door), 4 foot, 6 lamps, F54 (T5HO mini bi-pin), 120-277V 50/60 Hz, feed through mounting, emergency battery back-up ballast



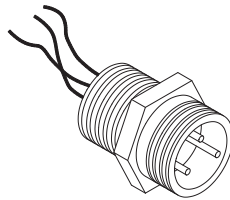
<sup>†</sup>For ASB and AS only.

## Accessories



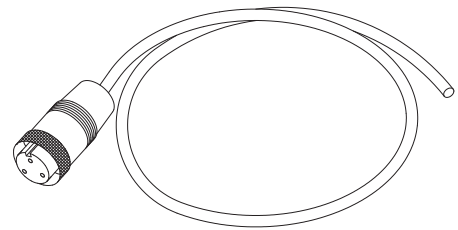
### WP163SR-6

**Cord assembly**  
Strain relief connector and 6 feet of #16/3 cable. If longer cable is required, change "6" suffix to length needed.



### WP003MR

**Quick disconnect receptacle**  
Required when WP163-6 cord assembly is used.



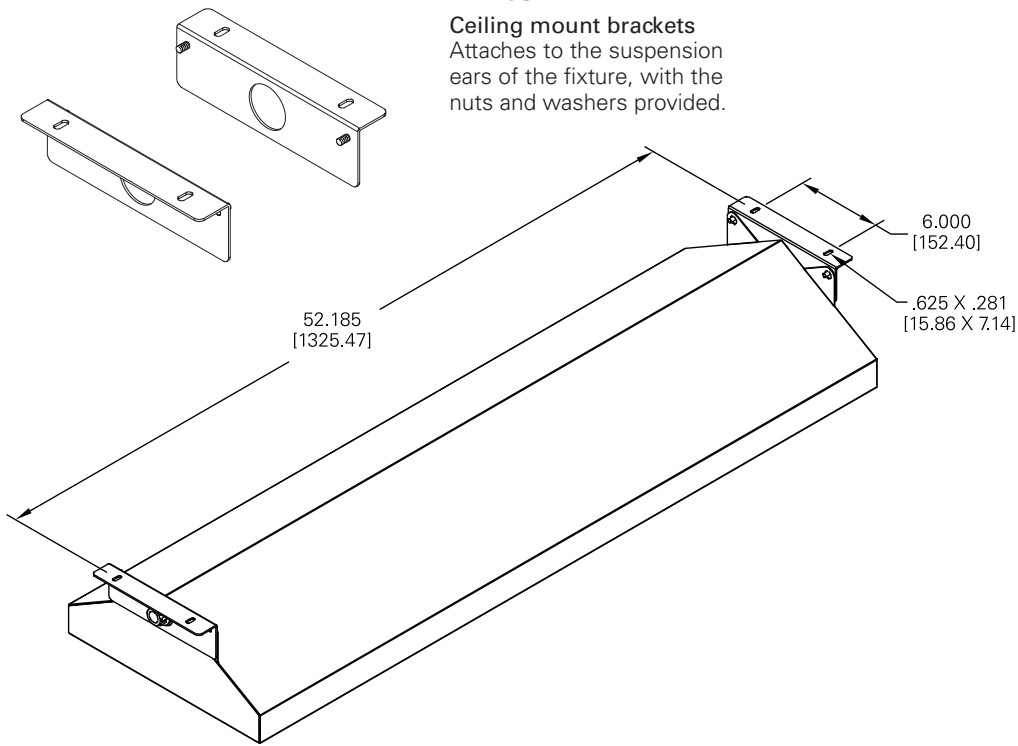
### WP163FP

**Cord assembly**  
Molded plug and 6 feet of #16/3 cable. If longer cable is required, change "6" suffix to length needed.

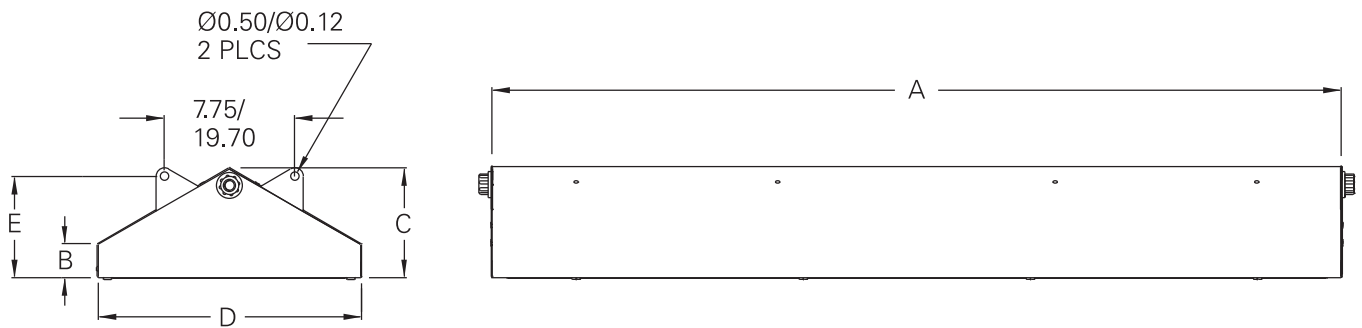
# Mounting options

## FX7091

**Ceiling mount brackets**  
Attaches to the suspension ears of the fixture, with the nuts and washers provided.



# Dimensions



Nominal length	Dimensions in inches/centimeters					Carton L x W x D (inches)	Nominal weight†	
	A	B	C	D	E		AAB lbs. (kg.)	ASB lbs. (kg.)
2 foot	26.59 (67.50)	2.00 (5.10)	6.53 (16.60)	15.72 (39.93)	6.00 (15.20)	28-3/4 x 16-3/8 x 7-1/8	19.0 (8.6)	26.0 (11.8)
4 foot	50.59 (128.50)	2.00 (5.10)	6.53 (16.60)	15.72 (39.93)	6.00 (15.20)	53 x 16-3/8 x 7-1/8	32.0 (14.5)	46.0 (20.8)

†Add 1 lb. for 3 or 4 lamps. Add 2 lbs. for 6 lamps.

**U.S. (global headquarters):  
Eaton's Crouse-Hinds Division**

1201 Wolf Street  
Syracuse, NY 13208

(866) 764-5454  
FAX: (315) 477-5179  
FAX Orders Only:  
(866) 653-0640

[crousecustomerctr@eaton.com](mailto:crousecustomerctr@eaton.com)

**For more information:**

If further assistance is required, please contact an authorized Eaton Distributor, Sales Office, or Customer Service Department.

**Canada**

Toll Free: 800-265-0502  
FAX: (800) 263-9504  
FAX Orders only: (866) 653-0645

**Mexico/Latin America/Caribbean**

52-555-804-4000  
FAX: 52-555-804-4020  
[ventascentromex@eaton.com](mailto:ventascentromex@eaton.com)

**Europe (Germany)**

49 (0) 6271 806-500  
49 (0) 6271 806-476  
[sales.CCH.de@cooperindustries.com](mailto:sales.CCH.de@cooperindustries.com)

**Middle East**

9714-8066100  
FAX: 9714-8894813  
[chmesales@eaton.com](mailto:chmesales@eaton.com)

**Singapore**

65-6645-9888  
FAX: 65-6297-4819  
[chsi-sales@cooperindustries.com](mailto:chsi-sales@cooperindustries.com)

**China**

86-21-2899-3600  
FAX: 86-21-2899-4055  
[cchsales@cooperindustries.com](mailto:cchsales@cooperindustries.com)

**Korea**

82-2-3484-6783  
82-2-3484-6778  
[CCHK-sales@cooperindustries.com](mailto:CCHK-sales@cooperindustries.com)

**Australia**

61-2-8787-2777  
FAX: 61-2-9609-2342  
[CEASales@cooperindustries.com](mailto:CEASales@cooperindustries.com)

**India**

91-124-4683888  
FAX: 91-124-4683899  
[cchindia@eaton.com](mailto:cchindia@eaton.com)

**Eaton's Crouse-Hinds**  
1201 Wolf Street  
Syracuse, NY 13208  
[Crouse-Hinds.com](http://Crouse-Hinds.com)

**Eaton**  
1000 Eaton Boulevard  
Cleveland, OH 44122  
United States  
[Eaton.com](http://Eaton.com)

© 2016 Eaton  
All Rights Reserved  
Printed in USA  
Publication No. 5287-0416  
April 2016

Eaton is a registered trademark.  
All other trademarks are property of their respective owners.